

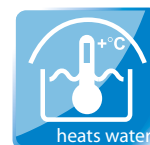
SYDNEY BD [PKB 8mm]

SYDNEY BD CLEAR [PK 4mm]

[V-01] BOX



VERZE: 26. 01. 2022 / REVIZE: 12. 09. 2022



BG
 Използването на басейна без покритие е забранено в ANZSOL. NF P 90-309
 Забранява се използването на басейна без покритие или използването му в нощта без покритие или използване преди да е изгоряло слънцето.

CZ
 Bádovné zariadení: lena konštrukcia v zime a ANZSOL. NF P 90-309
 Bádniť sa môže iba so slnečným dňom a pred začatím zimy by sa zariadenie malo byť zabránené používať.

DE
 Schwimmbeckenabdeckung: keine Konstruktion in Winterzeit an ANZSOL. NF P 90-309
 Das Bäder in Winterzeit zu benutzen ist verboten und das Bäder in der Nacht ohne Abdeckung zu benutzen ist ebenfalls verboten.

DK
 Bækløberdækning: len konstruktion i vintermåneder med ANZSOL. NF P 90-309
 Dækningsbeholdningen må kun bruges i solrige dage og dækningen må ikke bruges før vintermånederne er begyndt.

ES
 Cubierta de piscina: construcción ligera. Construcción en ANZSOL. NF P 90-309
 El uso de piscinas sin cubierta adecuada o sin cubierta ligera en invierno está prohibido.

EE
 Basini kaetmine: ainult konstruktsioon talvel ANZSOL. NF P 90-309
 Suvel on lubatud kasutada basini ilma talvel ilma talvekatetusega.

FR
 Hors de piscine: construction légère. Construction en ANZSOL. NF P 90-309
 Hors de piscine: construction légère. Construction en ANZSOL. NF P 90-309
 Hors de piscine: construction légère. Construction en ANZSOL. NF P 90-309

GB
 The swimming pool enclosure: light construction in winter. ANZSOL. NF P 90-309
 The enclosure must not be used in winter.

HU
 Medencefedél: könnyű szerkezet. ANZSOL. NF P 90-309 megjelöléssel.
 A medence fedélét a téli hónapokban nem lehet használni.

HR
 Nadstrešnica bazena: laka konstrukcija u zimu. ANZSOL. NF P 90-309
 Nadstrešnicu bazena ne treba koristiti u zimskim mjesecima.

CN
 游泳池 罩棚: 轻质结构。ANZSOL. NF P 90-309 标识。
 冬季禁止使用游泳池罩棚。

IT
 Copertura per piscine: costruzione leggera in inverno. ANZSOL. NF P 90-309
 La copertura della piscina non deve essere usata in inverno.

LT
 Šiluminis vandens base danga: lengva konstrukcija. ANZSOL. NF P 90-309
 Vandens base dangą galima naudoti tik vasarą.

LV
 Bādesni jumts: viegla konstrukcija. ANZSOL. NF P 90-309
 Bādesni jumtu var lietot tikai vasarā.

PL
 Zadaszkiwnie basenu: laka konstrukcja. ANZSOL. NF P 90-309
 Zadaszkiwnie basenu moze byc uzywane tylko w lato.

RO
 Acoperire pentru piscina: constructie usoara in iarna. ANZSOL. NF P 90-309
 Acoperirea pentru piscina nu trebuie folosita in iarna.

RU
 Надстройка для бассейна: легкая конструкция. ANZSOL. NF P 90-309
 Надстройка для бассейна может использоваться только в теплое время года.

SE
 Pooltak: lät konstruktion. ANZSOL. NF P 90-309
 Pooltaket får endast användas under sommar månader.

SL
 Nadstrešnica za bazen: laka konstrukcija. ANZSOL. NF P 90-309
 Nadstrešnica za bazen se lahko uporablja le v poletni sezoni.

SK
 Bádovné zariadenie: lena konštrukcia v zime. ANZSOL. NF P 90-309
 Bádniť sa môže iba so slnečným dňom a pred začatím zimy by sa zariadenie malo byť zabránené používať.



TYP	PRODUKT
KL	SYDNEY - kolej vlevo
	SYDNEY - Rails on the left side only
	SYDNEY - einseitige Schiene links
	SYDNEY - rail d'un seul coté à gauche
	SYDNEY - в исполнении с рельсами с одной стороны - налево

TYP	PRODUKT
KP	SYDNEY - kolej vpravo
	SYDNEY - Rails on the right side only
	SYDNEY - einseitige Schiene rechts
	SYDNEY - rail d'un seul coté à droit
	SYDNEY - в исполнении с рельсами с одной стороны - направо

1SP11-01-032

DIN 7982
4,8 x 13
3x

1

2SZ12-03-021

2x

2

2SZ18-02-001D

4x

3

2SZ18-02-002D

4x

4

1SZ18-01-097

2x

5

1SP07-01-014

ø4 x 8
4x

6

1SP07-01-001

ø4 x 10
80x

7

1SZ03-01-035

DIN 914
M6x14
4x

8

1SP01-01-016

ø8 x 80
28x

9

1SZ12-01-051

4x

10

1SZ29-01-008

4x

11

1SZ03-01-040

4x

12

1SP11-01-029

AN 9051
6,3 x 50
2x

13

1SP11-01-031

AN 9051
6,3 x 70
50x

14

1SP11-01-027

AN 9051
6,3 x 38
4x

15

1SP11-01-053

AN 9051 A4
6,3 x 32
22x

16



1NA03-01-050

1x
17

1CH02-01-011
1SZ28-01-001

1x
18

1SZ01-02-007 1SP03-01-008 1SP11-01-010

a b c

9x 9x 27x

DIN 7982 TX
5,5x45

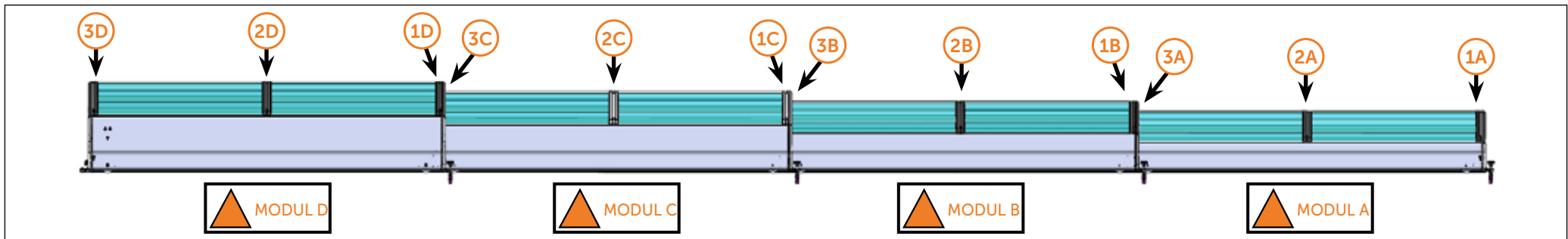
Pouze pro dřevěné a dřevoplastové podlahy
Only for wooden and wood-plastic floors
Nur für Holz- und Holz-Kunststoffböden
Uniquement pour les planchers en bois et en bois-plastique
Только для деревянных и древесно-пластиковых полов

2Z06-03-SD001

9x
19

2Z06-03-SD004

6x
KEY 4x
20



2Z12-01-SM008D - 1A
2Z12-01-SM009D - 2A
2Z12-01-SM010D - 3A

MODUL A

1A	1x	21
2A	1x	22
3A	1x	23

2Z12-01-SM011D - 1B
2Z12-01-SM012D - 2B
2Z12-01-SM013D - 3B

MODUL B

1B	1x	24
2B	1x	25
3B	1x	26

2Z12-01-SM014D - 1C
2Z12-01-SM015D - 2C
2Z12-17-SM017D - 3C

MODUL C

1C	1x	27
2C	1x	28
3C	1x	29



2Z12-17-SM014 - 1D	
2Z12-17-SM015 - 2D	
2Z12-17-SM016 - 3D	
MODUL D	
1x	
1x	
1x	

Sydney BD/ Clear BD
2Z04-01-SD001 | 1041 mm

32x

Sydney BD/ Clear BD
2Z05-01-SD001 | 1041 mm

8x

2Z01-01-SD045

3230 mm
1x

2Z01-01-SD047

Sydney BD/ Clear BD | 2190 mm

1x



2Z01-01-SD049

D
3230 mm
1x
42

2Z01-01-SD002

D
3230 mm
4x
43

2Z01-01-SD043

Sydney BD/ Clear BD 2190 mm

B
2x
44

MODUL A

2Z12-01-DP020

193 mm
1x
45

MODUL D

2Z12-17-DP018

375 mm
1x
46

MODUL A

2Z12-01-DP019

3549 mm
1x
47


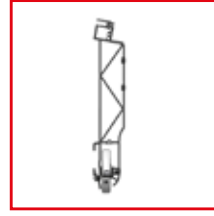
MODUL D

2Z12-17-DP017


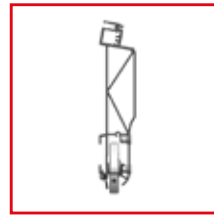
3969 mm
1x
48


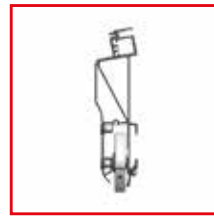



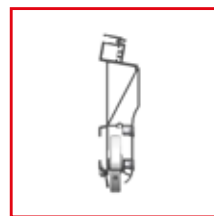
MODUL D			Sydney BD/ Clear BD 2Z02-09-SR007 2150 mm	1x 50
----------------	--	---	--	-----------------

MODUL D			Sydney BD/ Clear BD 2Z02-09-SR008 2150 mm	1x 51
----------------	--	---	--	-----------------



MODUL C			Sydney BD/ Clear BD 2Z02-09-SR005 2150 mm	1x 52
----------------	---	--	--	-----------------

MODUL C			Sydney BD/ Clear BD 2Z02-09-SR006 2150 mm	1x 53
----------------	--	---	--	-----------------

MODUL B			Sydney BD/ Clear BD 2Z02-09-SR003 2150 mm	1x 54
----------------	--	---	--	-----------------

MODUL B			Sydney BD/ Clear BD 2Z02-09-SR004 2150 mm	1x 55
----------------	--	---	--	-----------------

MODUL A			Sydney BD/ Clear BD 2Z02-09-SR001 2150 mm	1x 56
----------------	---	--	--	-----------------

MODUL A			Sydney BD/ Clear BD 2Z02-09-SR002 2150 mm	1x 57
----------------	--	---	--	-----------------



		<table border="1" style="width: 100%; border-collapse: collapse;"> <tr> <td style="font-size: small;">Sydney BD/ Clear BD 2Z02-09-SD027</td> <td style="font-size: small;">2150 mm</td> </tr> </table>	Sydney BD/ Clear BD 2Z02-09-SD027	2150 mm
Sydney BD/ Clear BD 2Z02-09-SD027	2150 mm			
		<table border="1" style="width: 100%; border-collapse: collapse;"> <tr> <td style="text-align: center;">8x</td> </tr> <tr> <td style="text-align: center; background-color: #f4a460; border-radius: 50%; color: white; font-weight: bold; font-size: 1.2em;">58</td> </tr> </table>	8x	58
8x				
58				

2Z12-01-DK010 - Sydney BD 2Z12-05-DK010 - Sydney BD Clear	Sydney BD/ Clear BD 1789 x 1050 mm			
		<table border="1" style="width: 100%; border-collapse: collapse;"> <tr> <td style="text-align: center;">4x</td> </tr> <tr> <td style="text-align: center; background-color: #f4a460; border-radius: 50%; color: white; font-weight: bold; font-size: 1.2em;">60</td> </tr> </table>	4x	60
4x				
60				
<table border="1" style="width: 100%; border-collapse: collapse;"> <tr> <td style="text-align: center; background-color: #f4a460; border-radius: 50%; color: white; font-weight: bold; font-size: 1.2em;">MODUL A</td> </tr> </table>	MODUL A	<table border="1" style="width: 100%; border-collapse: collapse;"> <tr> <td style="text-align: center; background-color: #f4a460; border-radius: 50%; color: white; font-weight: bold; font-size: 1.2em;">MODUL B</td> </tr> </table>	MODUL B	
MODUL A				
MODUL B				

2Z12-01-DK011 - Sydney BD 2Z12-05-DK011 - Sydney BD Clear	Sydney BD/ Clear BD 1859 x 1050 mm			
		<table border="1" style="width: 100%; border-collapse: collapse;"> <tr> <td style="text-align: center;">4x</td> </tr> <tr> <td style="text-align: center; background-color: #f4a460; border-radius: 50%; color: white; font-weight: bold; font-size: 1.2em;">61</td> </tr> </table>	4x	61
4x				
61				
<table border="1" style="width: 100%; border-collapse: collapse;"> <tr> <td style="text-align: center; background-color: #f4a460; border-radius: 50%; color: white; font-weight: bold; font-size: 1.2em;">MODUL C</td> </tr> </table>	MODUL C	<table border="1" style="width: 100%; border-collapse: collapse;"> <tr> <td style="text-align: center; background-color: #f4a460; border-radius: 50%; color: white; font-weight: bold; font-size: 1.2em;">MODUL D</td> </tr> </table>	MODUL D	
MODUL C				
MODUL D				

2Z12-01-DK012 - Sydney BD 2Z12-05-DK012 - Sydney BD Clear	Sydney BD/ Clear BD 1929 x 1050 mm			
		<table border="1" style="width: 100%; border-collapse: collapse;"> <tr> <td style="text-align: center;">4x</td> </tr> <tr> <td style="text-align: center; background-color: #f4a460; border-radius: 50%; color: white; font-weight: bold; font-size: 1.2em;">62</td> </tr> </table>	4x	62
4x				
62				
<table border="1" style="width: 100%; border-collapse: collapse;"> <tr> <td style="text-align: center; background-color: #f4a460; border-radius: 50%; color: white; font-weight: bold; font-size: 1.2em;">MODUL C</td> </tr> </table>	MODUL C	<table border="1" style="width: 100%; border-collapse: collapse;"> <tr> <td style="text-align: center; background-color: #f4a460; border-radius: 50%; color: white; font-weight: bold; font-size: 1.2em;">MODUL D</td> </tr> </table>	MODUL D	
MODUL C				
MODUL D				

2Z12-17-DK013 - Sydney BD 2Z12-18-DK013 - Sydney BD Clear	Sydney BD/ Clear BD 1999 x 1050 mm			
		<table border="1" style="width: 100%; border-collapse: collapse;"> <tr> <td style="text-align: center;">4x</td> </tr> <tr> <td style="text-align: center; background-color: #f4a460; border-radius: 50%; color: white; font-weight: bold; font-size: 1.2em;">63</td> </tr> </table>	4x	63
4x				
63				
<table border="1" style="width: 100%; border-collapse: collapse;"> <tr> <td style="text-align: center; background-color: #f4a460; border-radius: 50%; color: white; font-weight: bold; font-size: 1.2em;">MODUL C</td> </tr> </table>	MODUL C	<table border="1" style="width: 100%; border-collapse: collapse;"> <tr> <td style="text-align: center; background-color: #f4a460; border-radius: 50%; color: white; font-weight: bold; font-size: 1.2em;">MODUL D</td> </tr> </table>	MODUL D	
MODUL C				
MODUL D				

2Z12-01-DK003 2Z12-01-DK004		<table border="1" style="width: 100%; border-collapse: collapse;"> <tr> <td style="text-align: center;">2x</td> </tr> <tr> <td style="text-align: center; background-color: #f4a460; border-radius: 50%; color: white; font-weight: bold; font-size: 1.2em;">64</td> </tr> </table>	2x	64
2x				
64				
<table border="1" style="width: 100%; border-collapse: collapse;"> <tr> <td style="text-align: center; background-color: #f4a460; border-radius: 50%; color: white; font-weight: bold; font-size: 1.2em;">MODUL A</td> </tr> </table>	MODUL A			
MODUL A				

		<table border="1" style="width: 100%; border-collapse: collapse;"> <tr> <td style="text-align: center;">2x</td> </tr> <tr> <td style="text-align: center; background-color: #f4a460; border-radius: 50%; color: white; font-weight: bold; font-size: 1.2em;">65</td> </tr> </table>	2x	65
2x				
65				
<table border="1" style="width: 100%; border-collapse: collapse;"> <tr> <td style="text-align: center; background-color: #f4a460; border-radius: 50%; color: white; font-weight: bold; font-size: 1.2em;">MODUL D</td> </tr> </table>	MODUL D			
MODUL D				



2Z12-01-DO009

2x

66

2Z12-17-DO008

2x

67

⚠ only SYDNEY CLEAR ⚠

2Z12-05-DO010 - Sydney BD Clear

Sydney Clear BD	1789 mm
Sydney Clear BD	1030 mm

8x

68

2Z12-05-DO011 - Sydney BD Clear

Sydney Clear BD	1859 mm
Sydney Clear BD	1030 mm

8x

69

2Z12-05-DO012 - Sydney BD Clear

Sydney Clear BD	1929 mm
Sydney Clear BD	1030 mm

8x

70













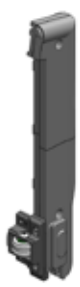



2Z12-18-DO013 - Sydney BD Clear

Sydney Clear BD	1999 mm
Sydney Clear BD	1030 mm

8x


71



MODUL A  2Z09-01-SD076 1x 72	MODUL A  2Z09-01-SD077 1x 73	MODUL A  2Z09-01-SD078 1x 74	MODUL A  2Z09-01-SD079 1x 75
MODUL B  2Z09-01-SD072 1x 76	MODUL B  2Z09-01-SD073 1x 77	MODUL B  2Z09-01-SD074 1x 78	MODUL B  2Z09-01-SD075 1x 79
MODUL C  2Z09-01-SD058 1x 80	MODUL C  2Z09-01-SD059 1x 81	MODUL C  2Z09-01-SD060 1x 82	MODUL C  2Z09-01-SD061 1x 83
MODUL D  2Z09-01-SD054 1x 84	MODUL D  2Z09-01-SD055 1x 85	MODUL D  2Z09-01-SD056 1x 86	MODUL D  2Z09-01-SD057 1x 87




2Z09-01-SD020



1x

88


2Z09-01-SD021



1x

89


2Z09-01-SD003



6x

90

1SP10-01-077



DIN 912
M 5x65
4x

91


1SP10-01-084



ISO 7380
M 6x20
12x

92


1SZ18-02-010



8x

93


1SZ18-02-012



16x

94


1SP11-01-049



AN 9051
4,8x60
24x

95


1SP10-01-078



DIN 912
M 6x65
16x

96


1SP10-01-082



DIN 912
M 6x100
16x

97


1SZ03-01-038



8x

98

1SZ03-01-030



16x

99

1SZ12-01-010



32x

100

2Z06-03-SD003



2x

102

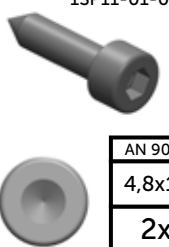
1SZ12-01-052



4x

104


1SP11-01-050



AN 9051
4,8x19
2x

105

1SZ04-01-019 1SZ04-01-026 1SP10-01-116 1SP08-01-015



A B C D


DIN 912
M8x20

DIN 440R
M8

2x

106


1SZ12-03-020



1x

107

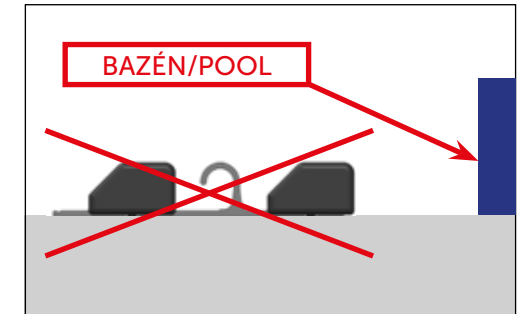
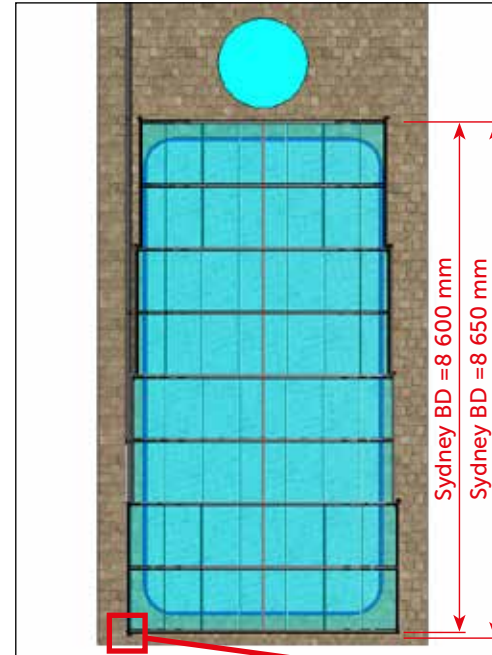
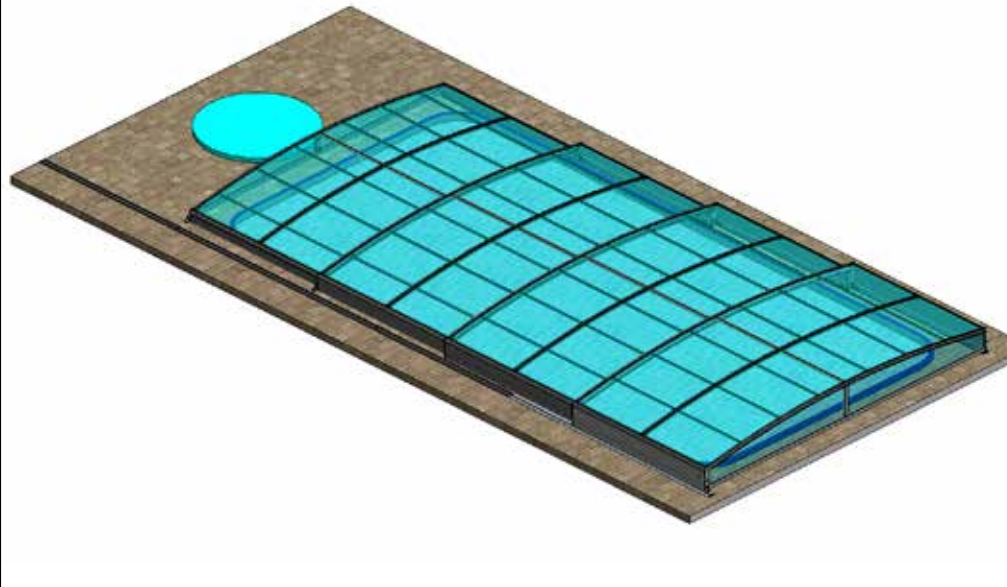
1SP10-01-025



DIN912
M6x25
10x

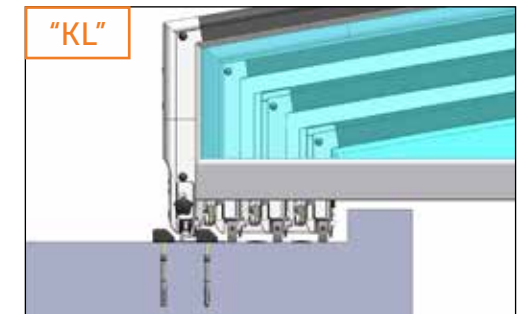
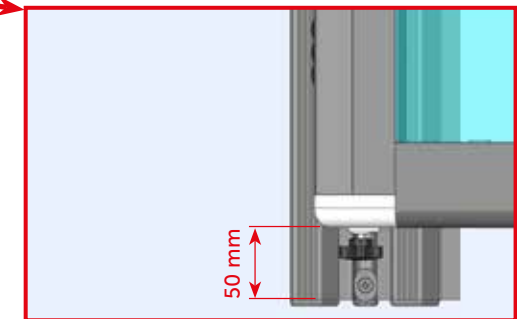
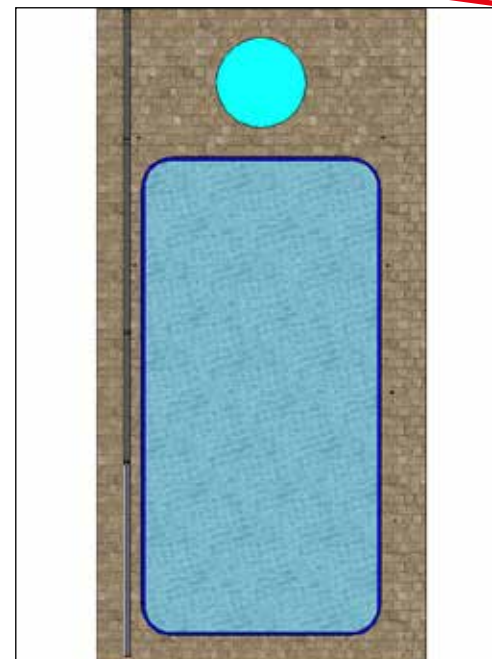
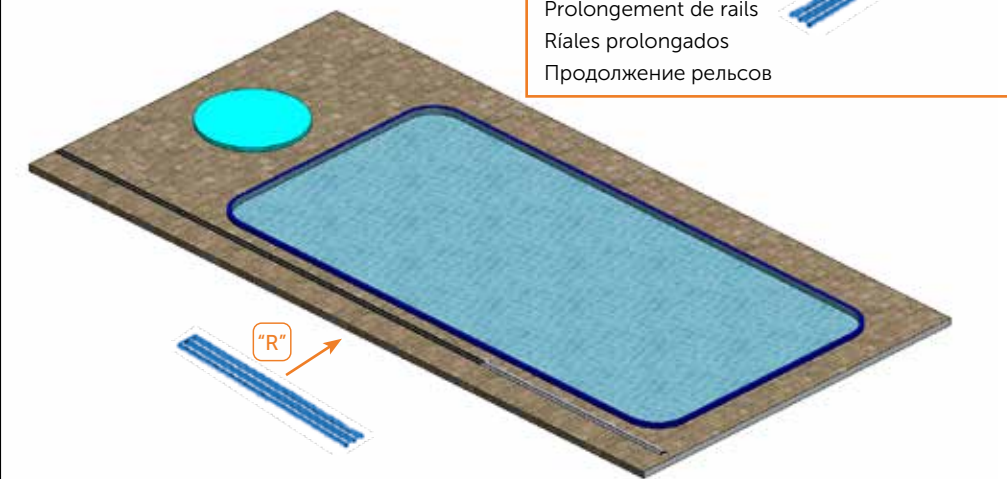
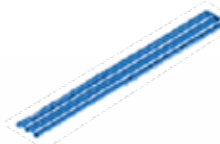
108

OPTIONAL "KL"

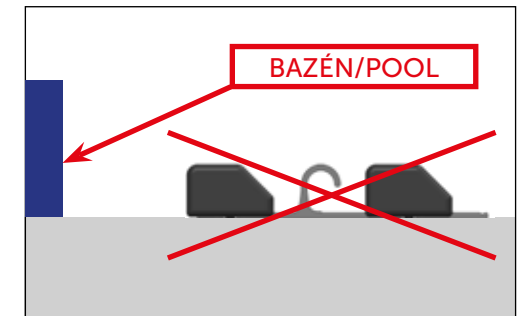
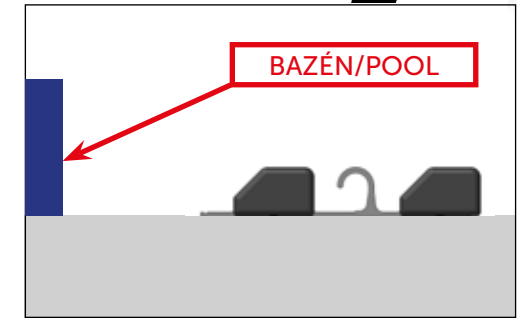
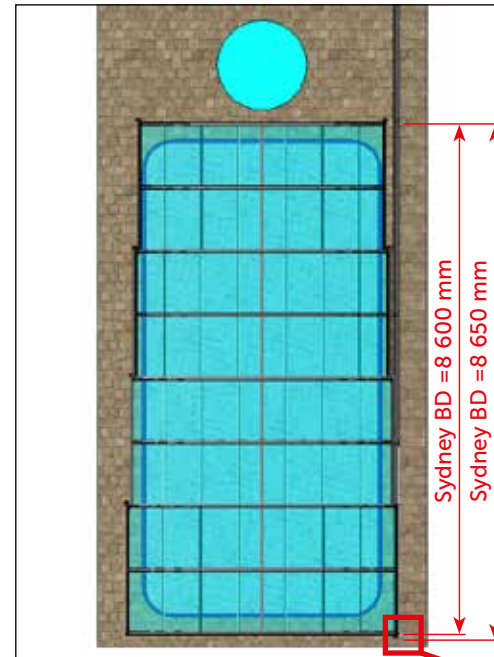
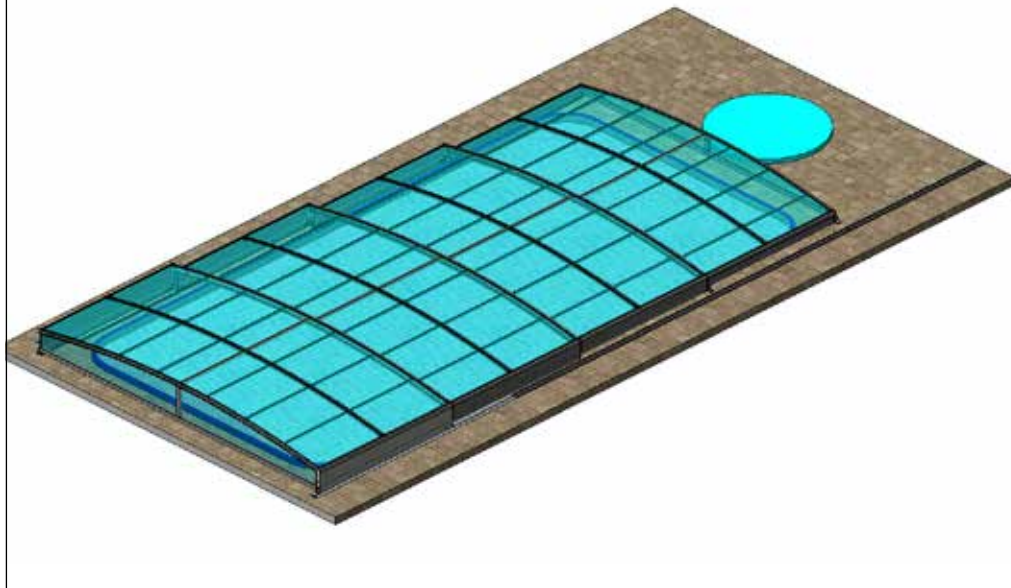


OPTIONAL "R"

- Prodoužení kolejí
- Rail extension
- Schienenverlängerung
- Prolongement de rails
- Riales prolongados
- Продолжение рельсов

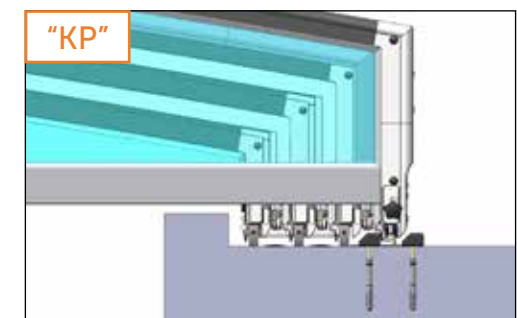
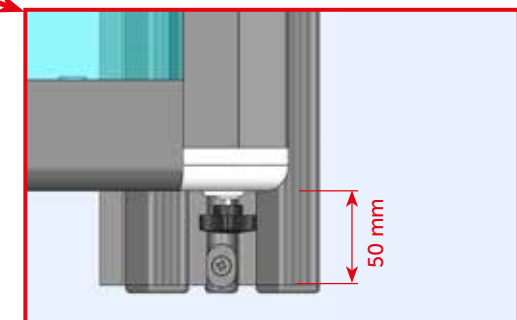
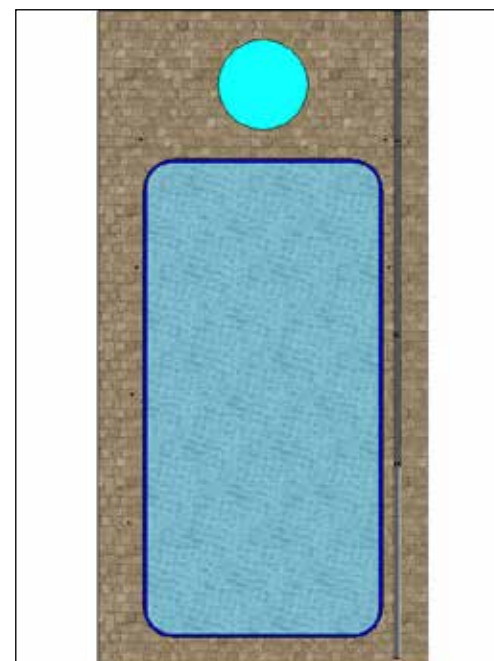
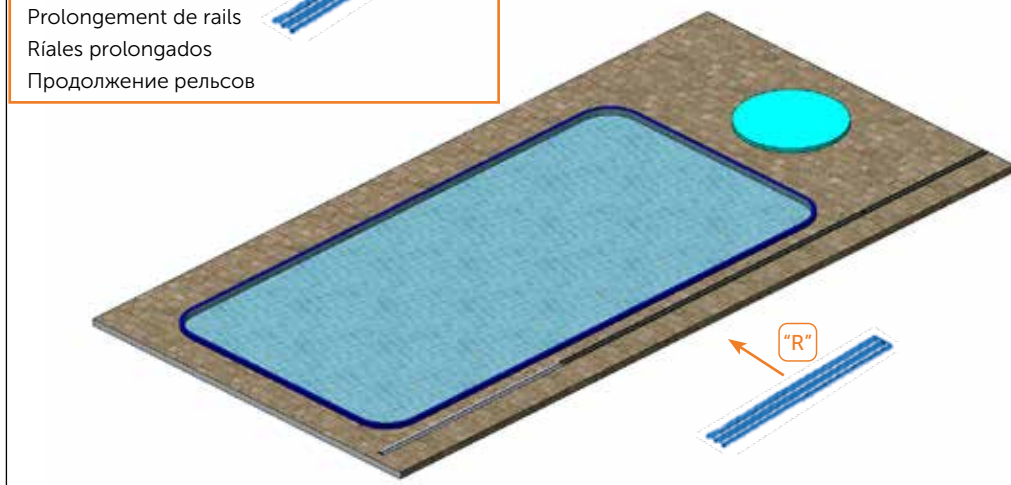
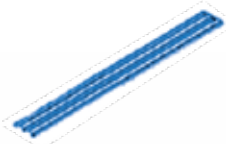


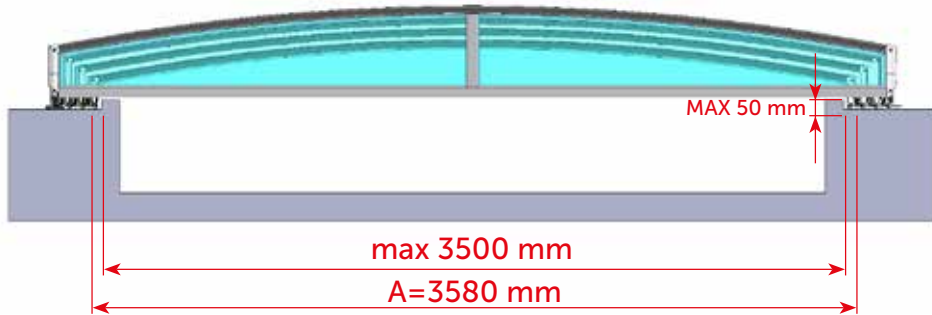
OPTIONAL "KP"



OPTIONAL "R"

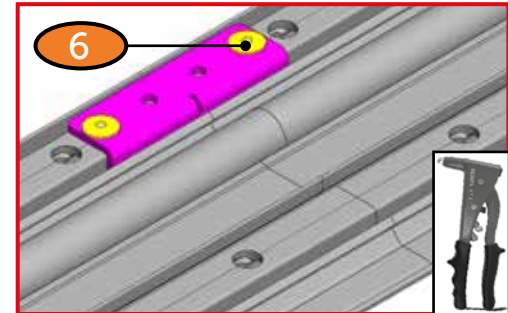
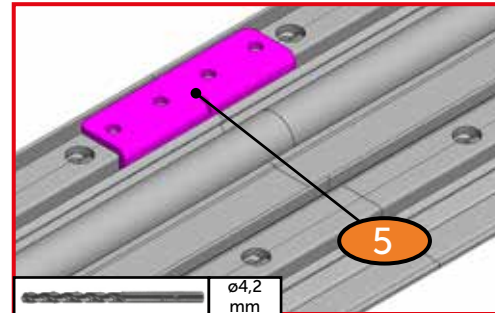
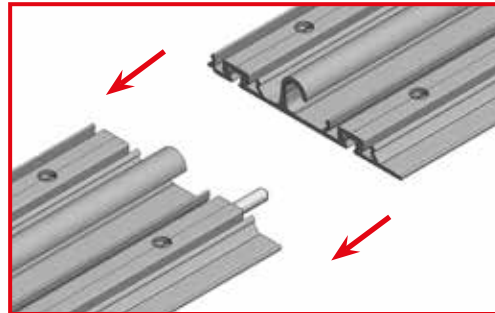
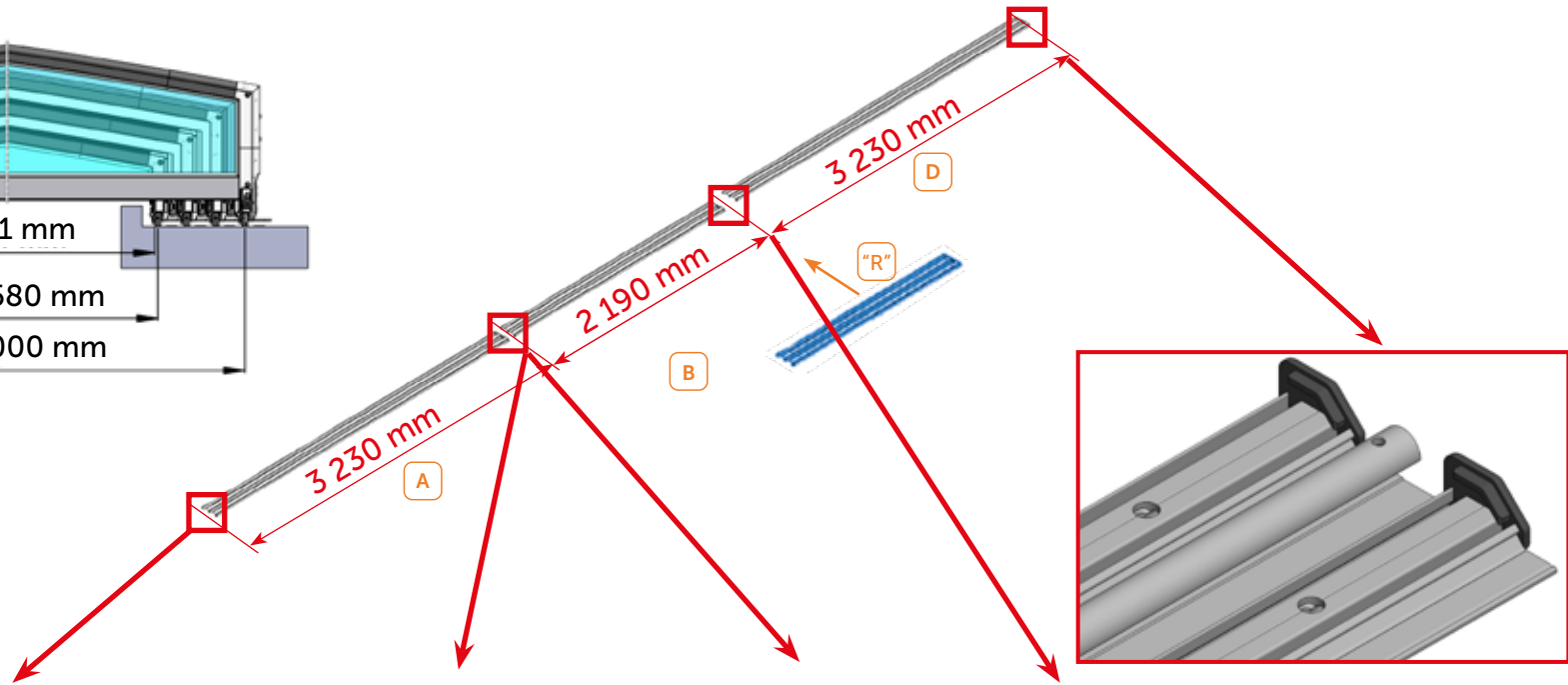
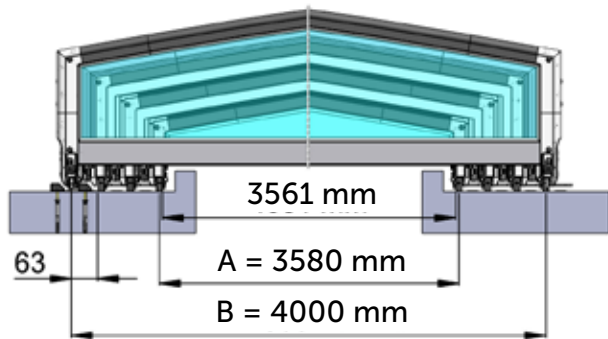
- Prodloužení koleji
- Rail extension
- Schienerverlängerung
- Prolongement de rails
- Riales prolongados
- Продолжение рельсов

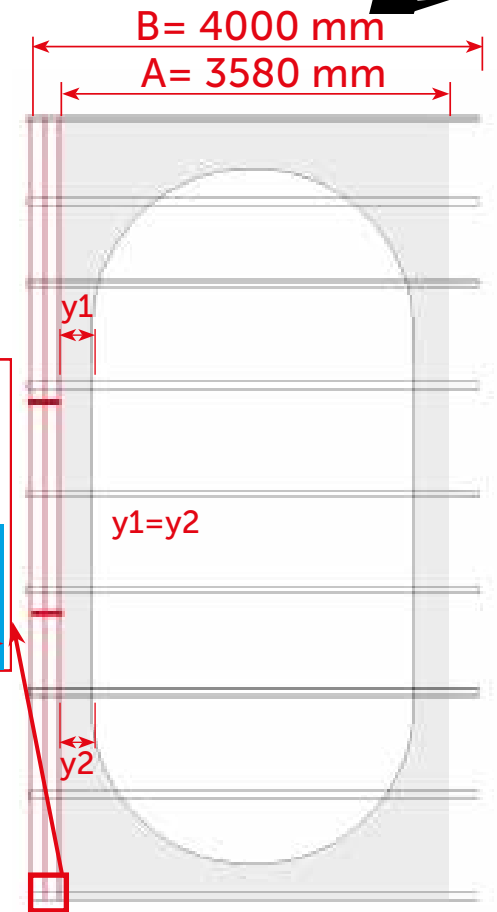
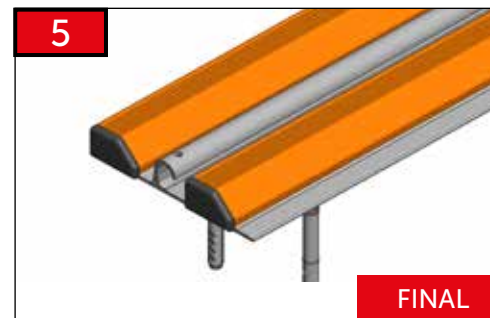
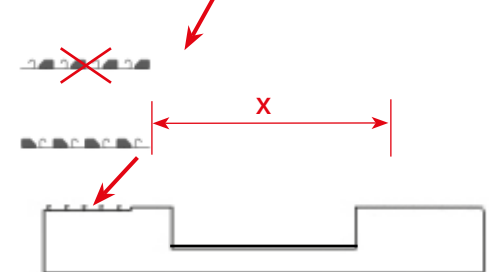
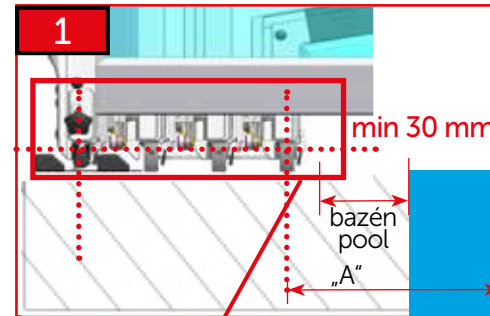
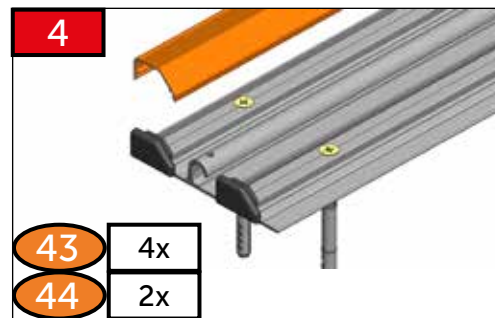
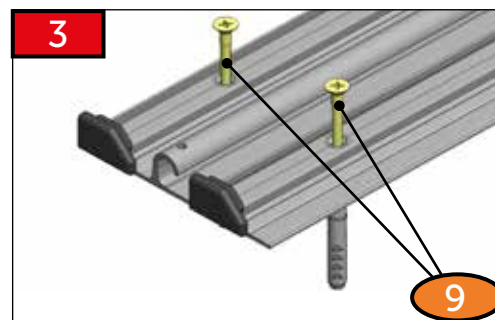
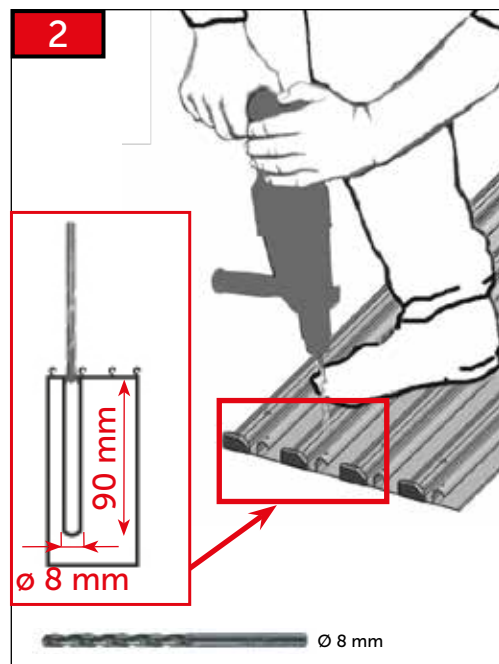
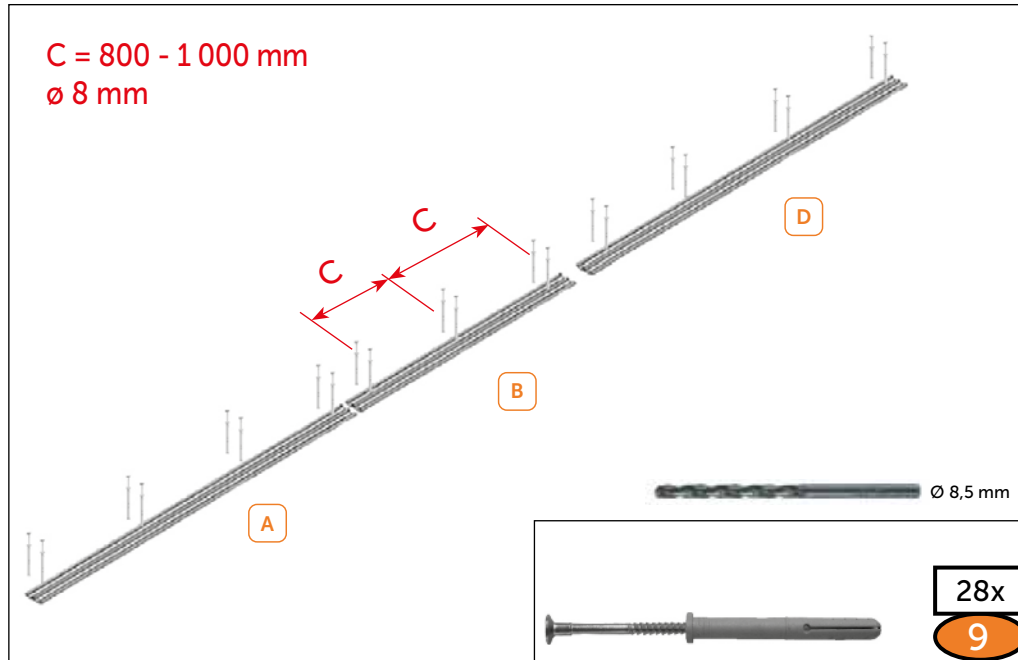




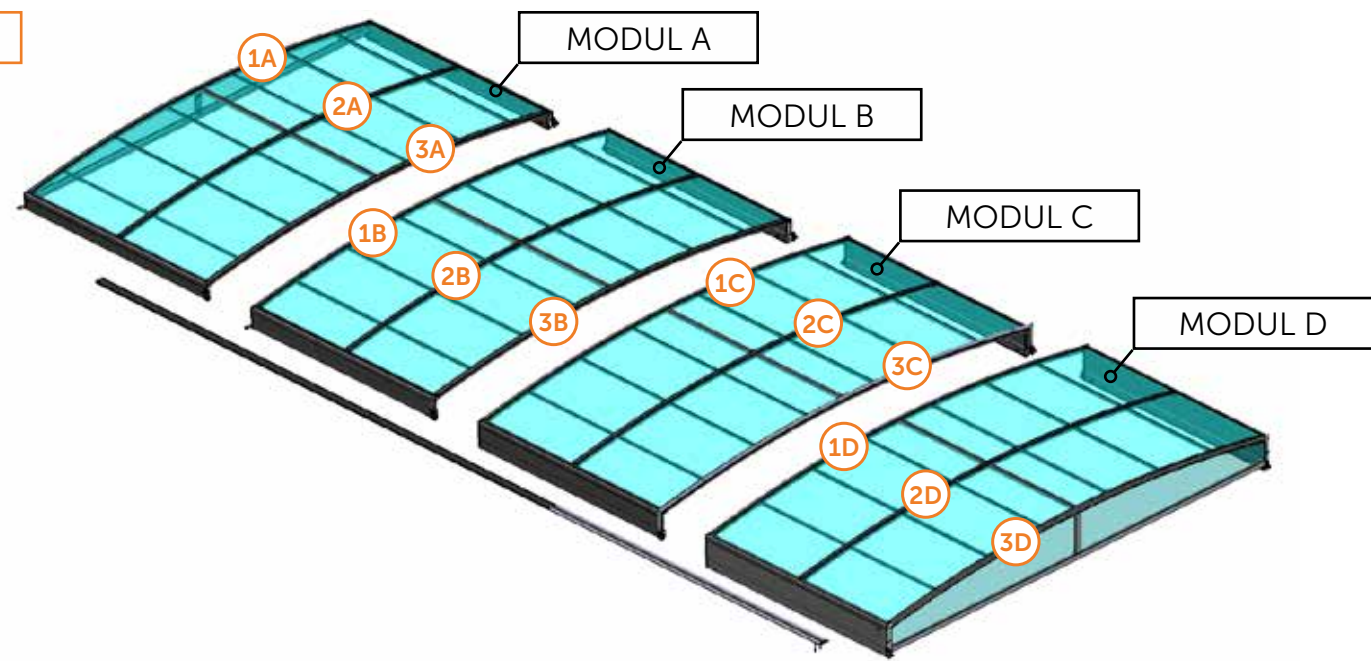
OPTIONAL

Prodloužení kolejí
 Rail extension
 Schienenverlängerung
 Prolongement de rails
 Ríales prolongados
 Продолжение рельсов

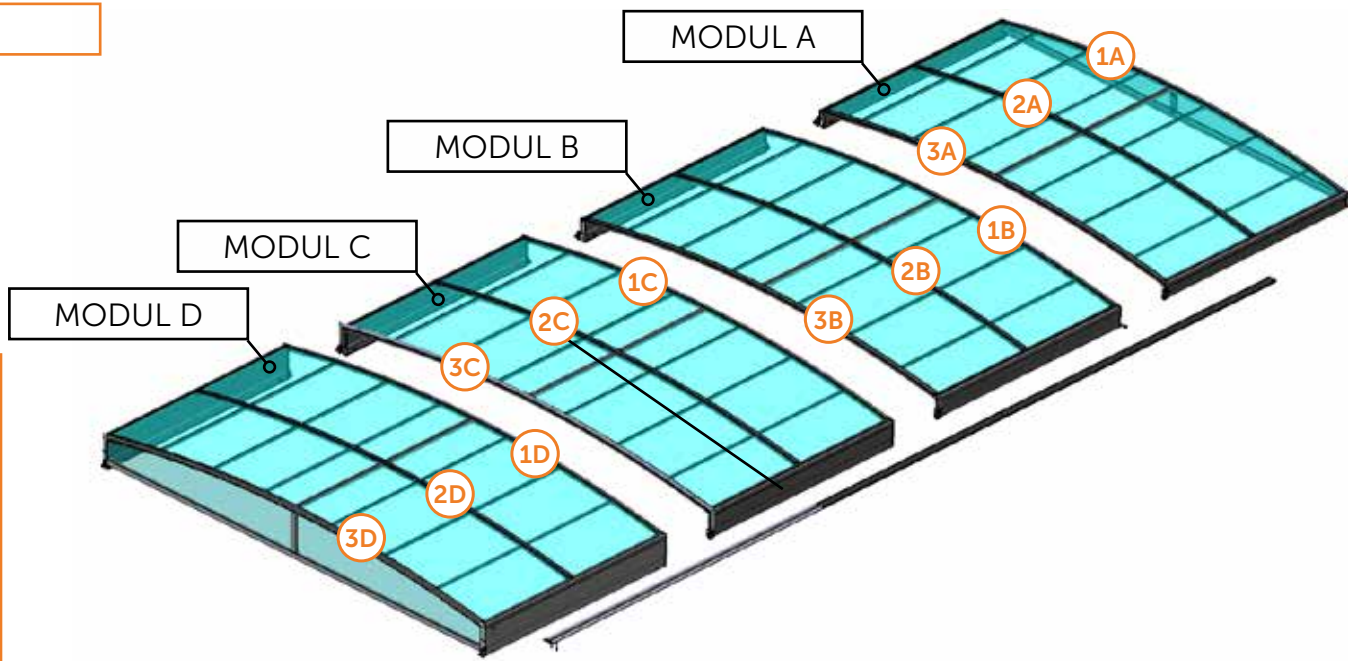




OPTIONAL "KL" - STANDARD

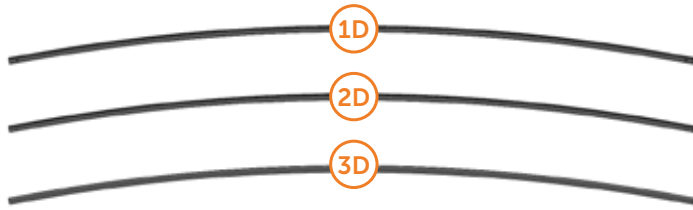


OPTIONAL "KP"



MODUL D

KL → KP
 = výměna koleček v profilech
 = changing wheels in profiles
 = Radwechsel in Profilen
 = changement de roues dans les profils
 = смена колес в профилях



1SP07-01-001

ø4 x 10

20x

7

1SZ03-01-035

DIN 914

M6x14

2x

8

1SZ29-01-008

2x

11

1SZ03-01-040

2x

12

1SP11-01-029

AN 9051

6,3 x 50

1x

13

1SP11-01-031

AN 9051

6,3 x 70

13x

14

1SP11-01-027

AN 9051

6,3 x 38

2x

15

1SP11-01-053

AN 9051 A4

6,3 x 32

4x

16

1NA03-01-050

1x

17

Sydney BD/ Clear BD
2Z04-01-SD001

1041 mm

8x

36

Sydney BD/ Clear BD
2Z05-01-SD001

1041 mm

2x

37

2Z12-17-DP018

375 mm

1x

46

2Z12-17-DP017

3969 mm

1x

48

OPTIONAL "KL" - STANDARD

Sydney BD/ Clear BD
2Z02-09-SR007

2150 mm

1x

50

OPTIONAL "KL" - STANDARD

Sydney BD/ Clear BD
2Z02-09-SR008

2150 mm

1x

51

Sydney BD/ Clear BD
2Z02-09-SD027

2150 mm

2x

58

Sydney BD/Clear BD

1999 x 1050 mm

MODUL D

4x

63

2x

65

2x

67

2Z09-01-SD056

















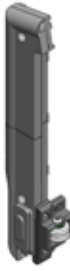



1x

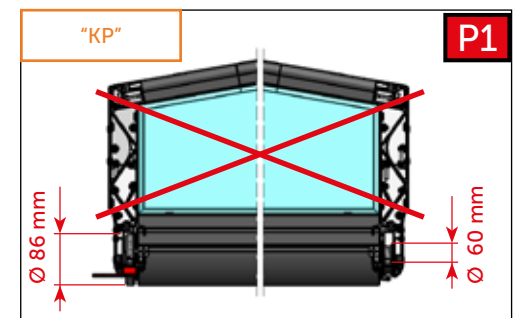
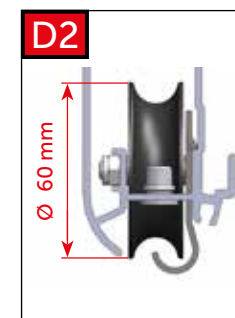
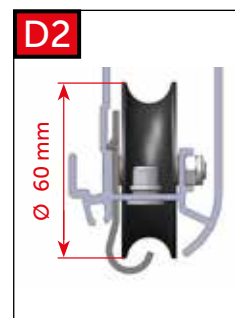
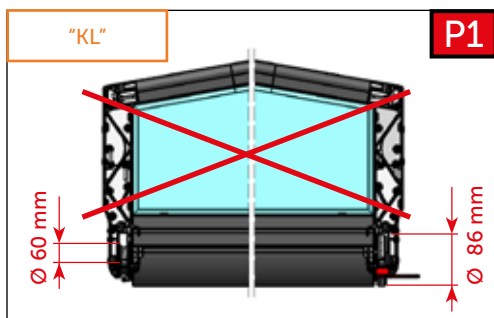
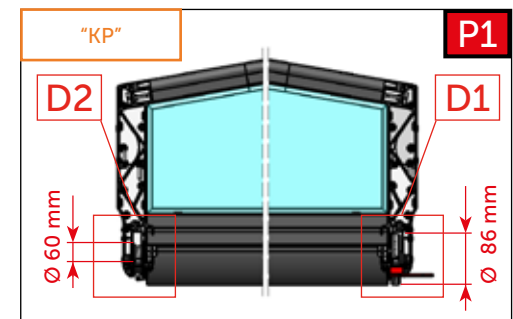
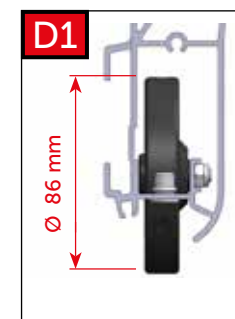
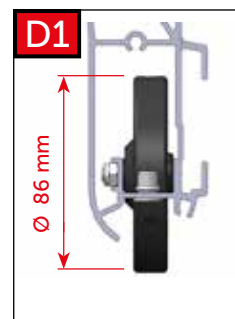
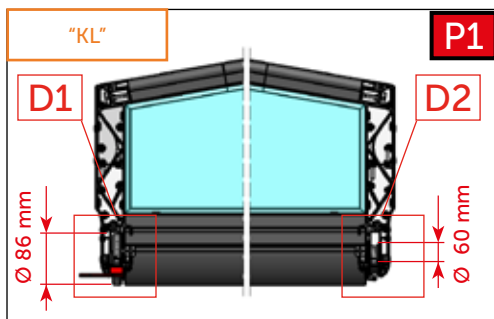
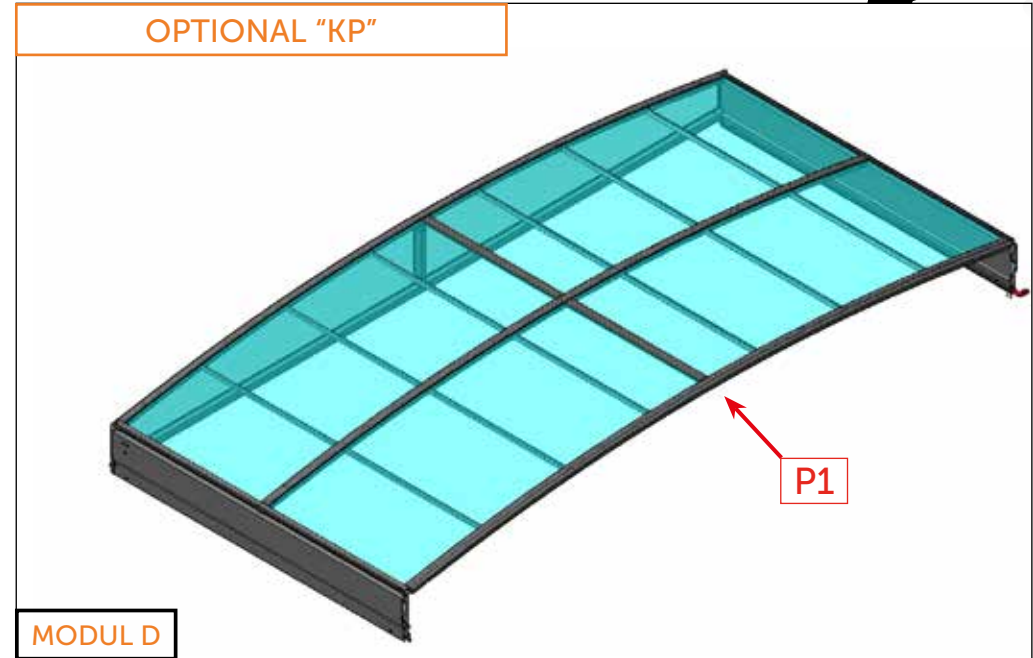
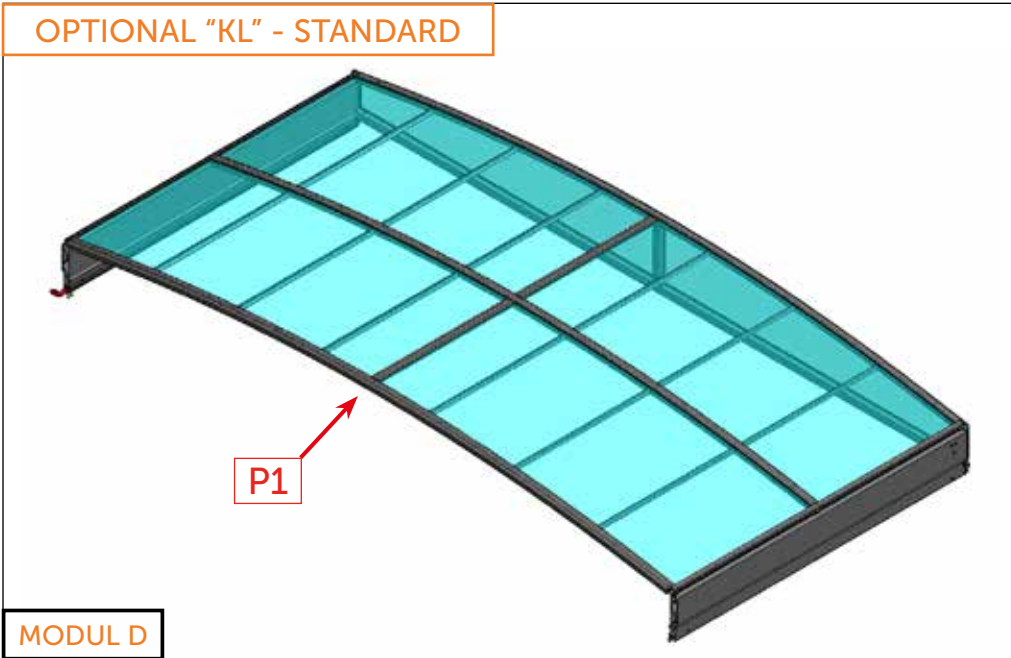
86

2Z09-01-SD057

1x

87

<p>2Z09-01-SD020</p>  <p>1x</p> <p>88</p>	<p>2Z09-01-SD021</p>  <p>1x</p> <p>89</p>	<p>1SP10-01-077</p>  <p>DIN 912 M 5x65</p> <p>2x</p> <p>91</p>	<p>1SP10-01-084</p>  <p>ISO 7380 M 6x20</p> <p>2x</p> <p>92</p>	<p>1SZ18-02-010</p>  <p>2x</p> <p>93</p>	<p>1SZ18-02-012</p>  <p>4x</p> <p>94</p>	<p>1SP11-01-049</p>  <p>AN 9051 4,8x60</p> <p>6x</p> <p>95</p>	<p>1SP10-01-078</p>  <p>DIN 912 M 6x65</p> <p>4x</p> <p>96</p>
<p>1SP10-01-082</p>  <p>DIN 912 M 6x100</p> <p>4x</p> <p>97</p>	<p>1SZ03-01-038</p>  <p>2x</p> <p>98</p>	<p>1SZ03-01-030</p>  <p>4x</p> <p>99</p>	<p>1SZ12-01-010</p>  <p>8x</p> <p>100</p>	<p>1SZ12-01-052</p>  <p>2x</p> <p>104</p>	<p>1SP11-01-050</p>  <p>AN 9051 4,8x19</p> <p>2x</p> <p>105</p>	<p>1SZ12-01-051</p>  <p>2x</p> <p>10</p>	
<p>2Z09-01-SD054</p>  <p>1x</p> <p>84</p>	<p>2Z09-01-SD055</p>  <p>1x</p> <p>85</p>	<p>1SP10-01-025</p>  <p>DIN912 M6x25</p> <p>4x</p> <p>108</p>					
<p>OPTIONAL "KL"</p> <p>2SZ18-02-001D</p>  <p>1x</p> <p>3</p>	<p>OPTIONAL "KP"</p> <p>2SZ18-02-002D</p>  <p>1x</p> <p>4</p>						



KL → KP
 = výměna koleček v profilech
 = changing wheels in profiles
 = Radwechsel in Profilen
 = changement de roues dans les profils
 = смена колес в профилях

1 KL → KP

1a

- = demontáž
- = disassembly
- = Demontage
- = démontage
- = удаление

1x
50

1

4a

- = demontáž
- = disassembly
- = Demontage
- = démontage
- = удаление

1x
51

1a

2

4a

5

3

1
KL → KP

1a

1a

= montáž
= montage
= Montage
= assemblage
= монтаж

1x

50

1

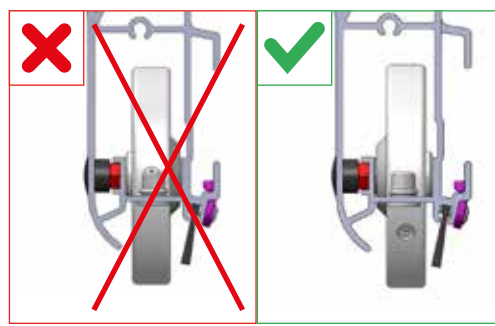
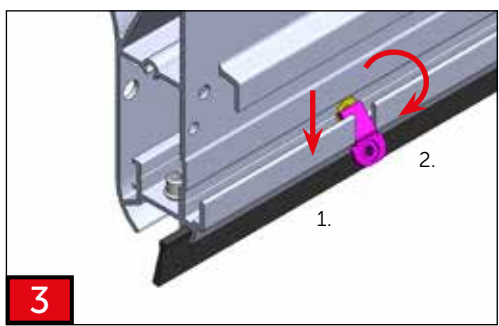
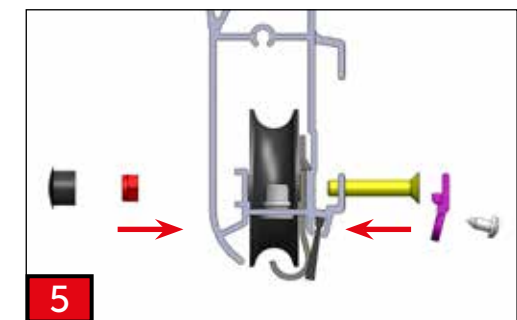
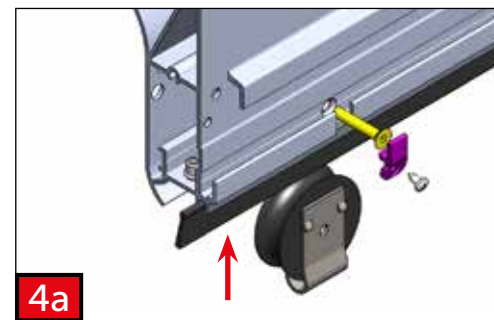
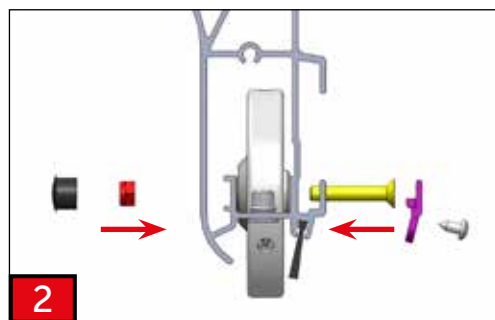
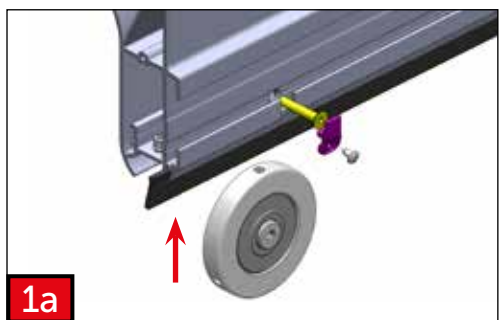
4a

4a

= montáž
= montage
= Montage
= assemblage
= монтаж

1x

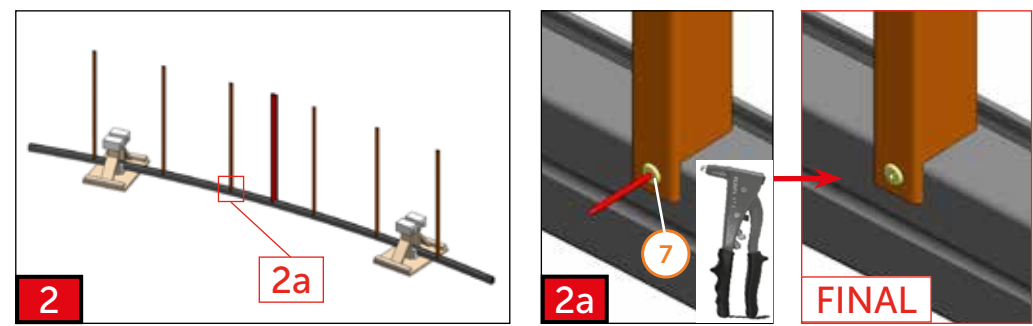
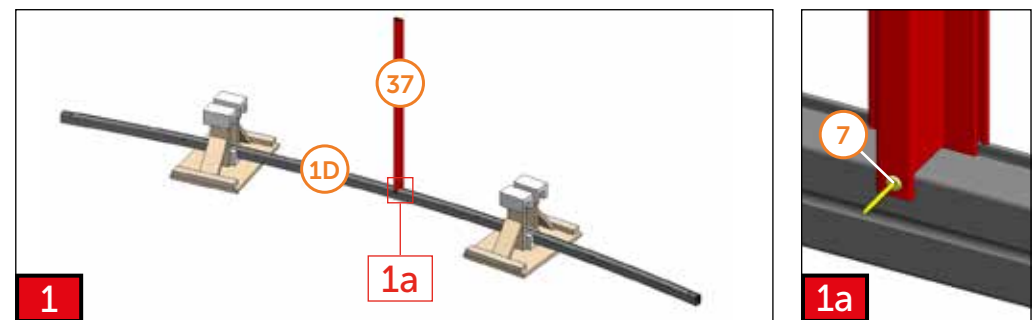
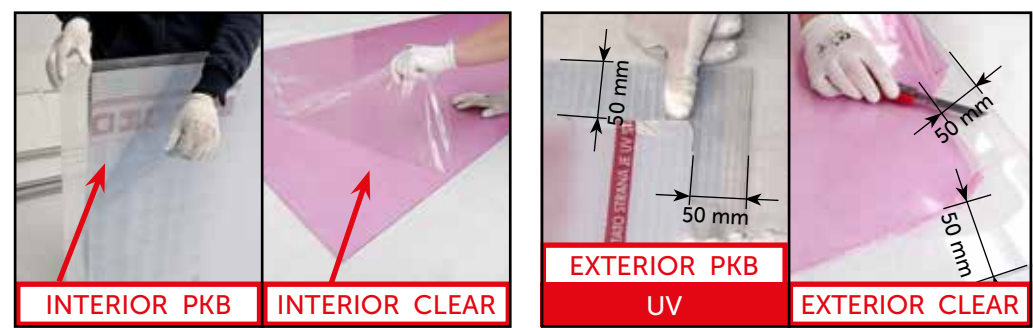
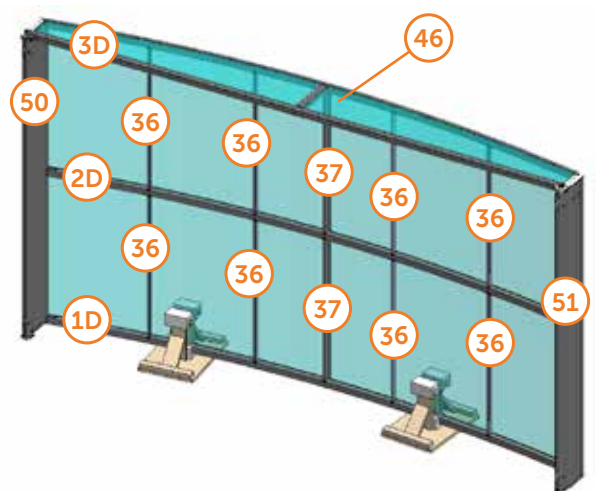
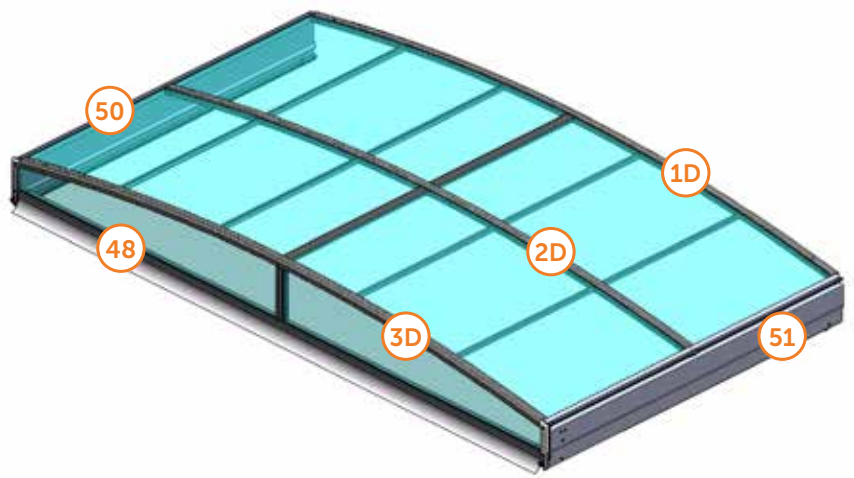
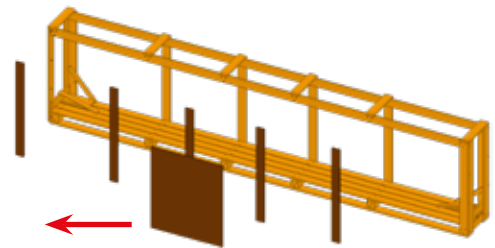
51

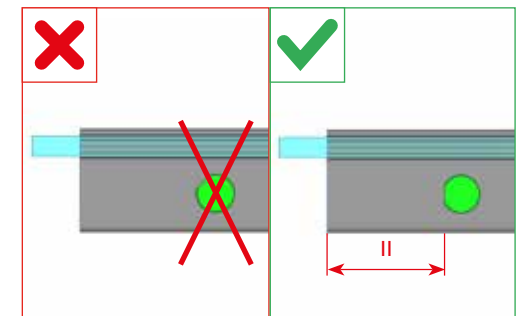
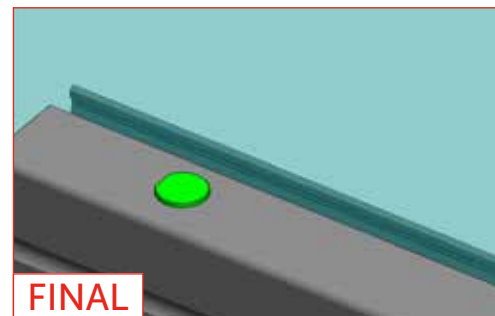
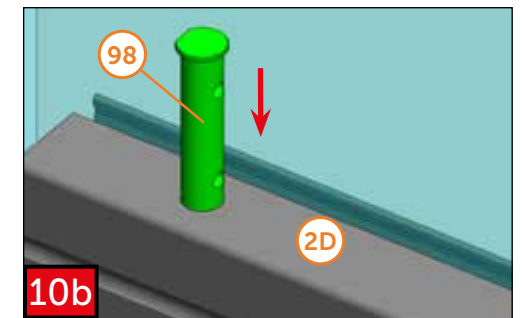
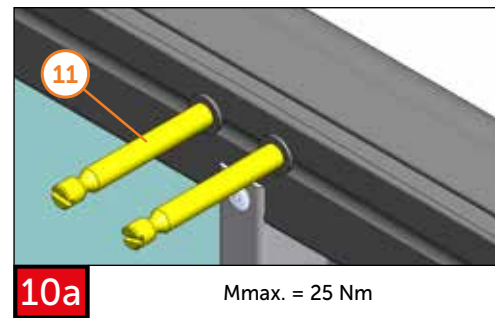
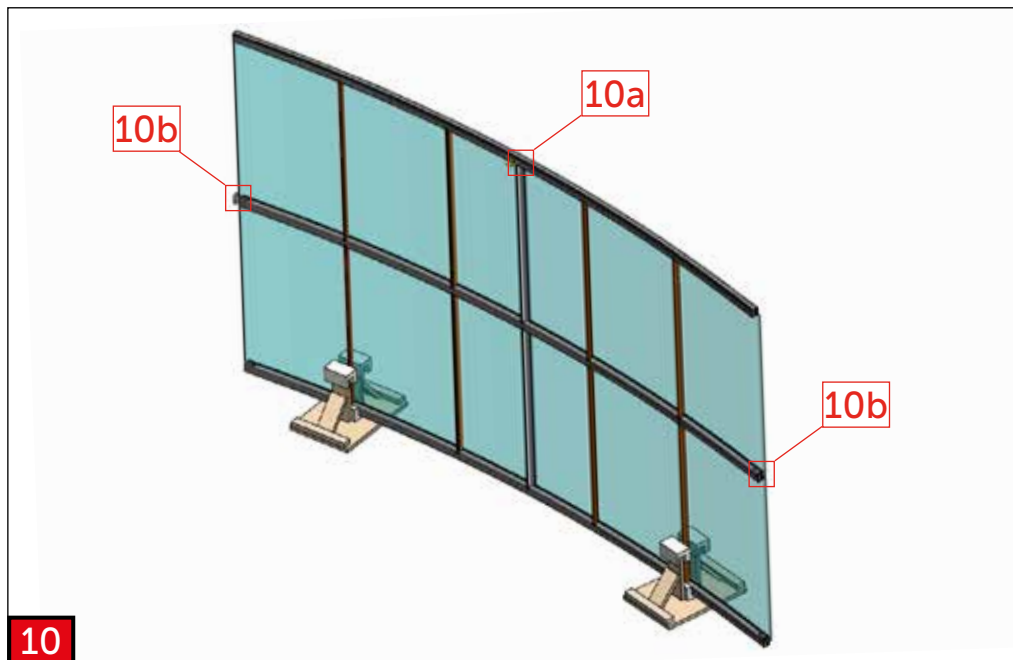
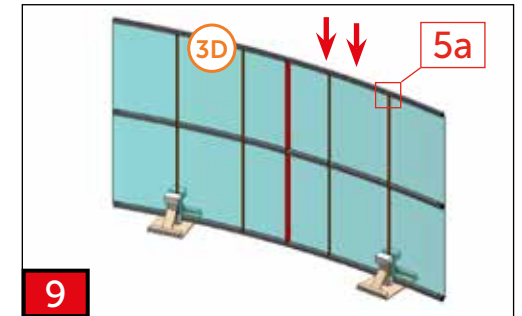
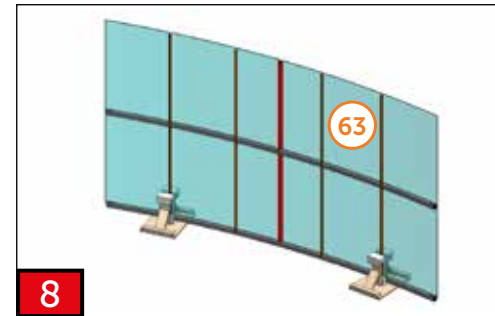
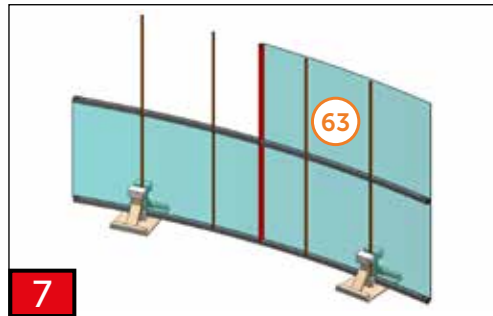
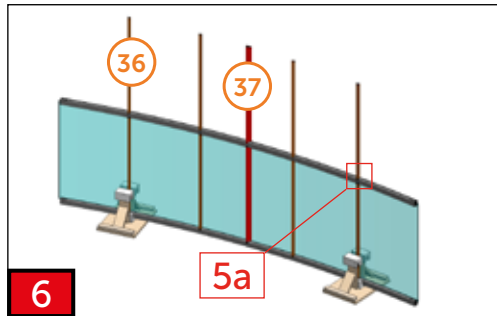
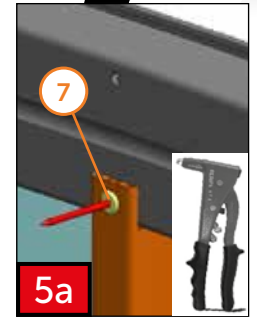
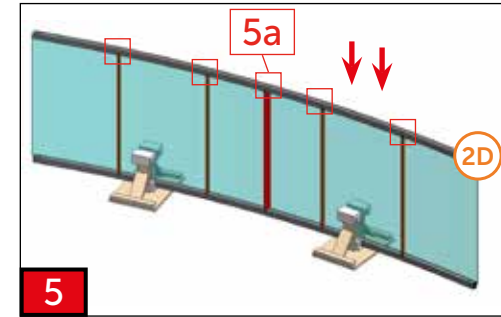
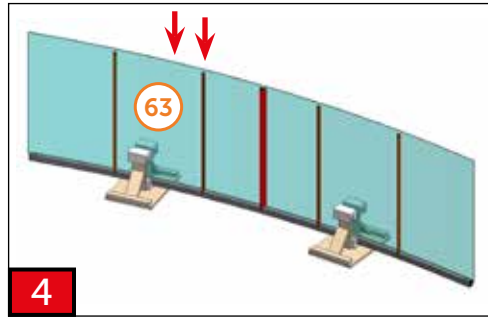
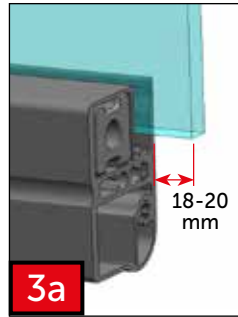
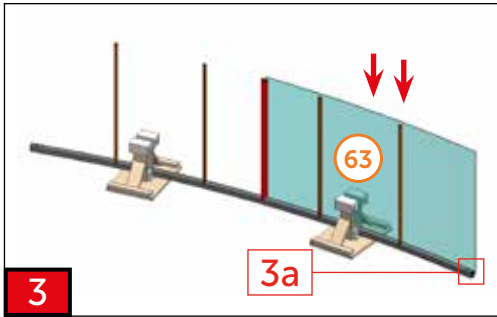


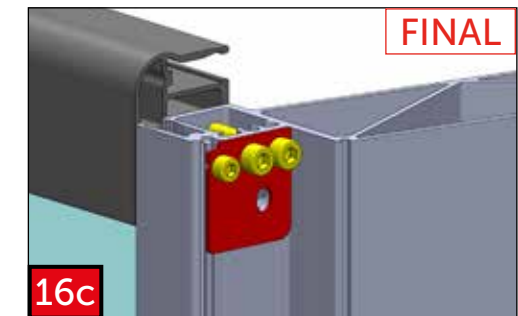
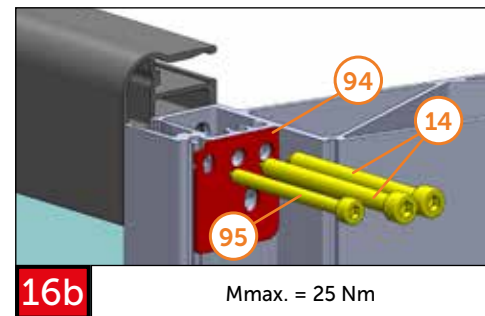
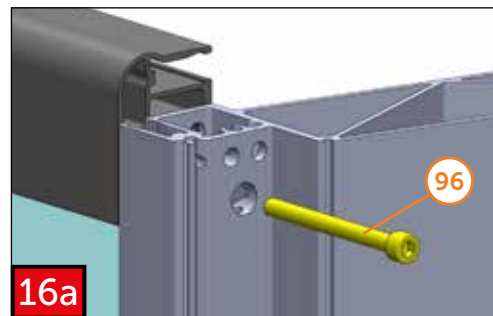
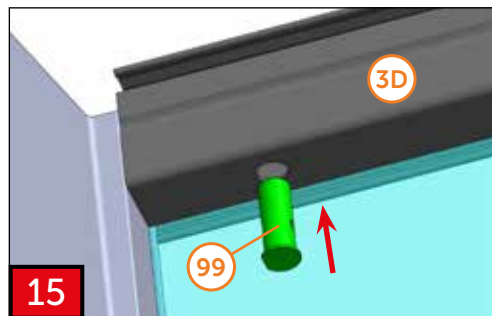
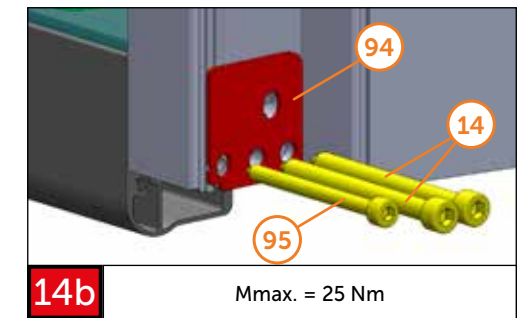
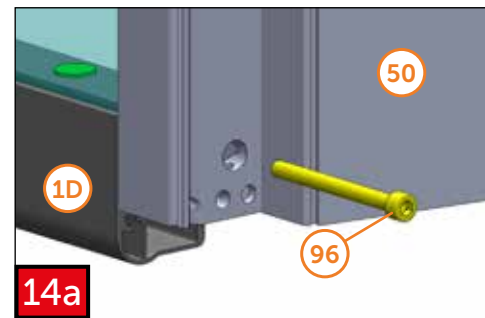
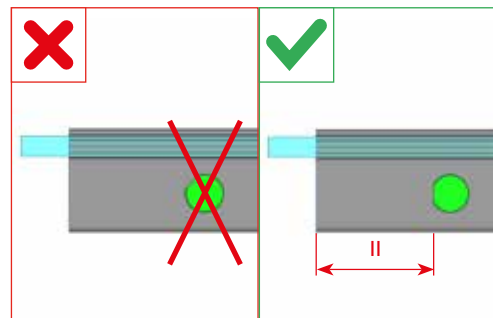
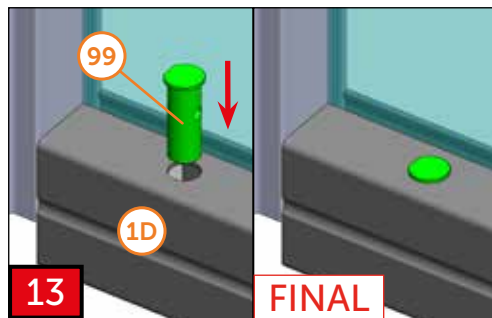
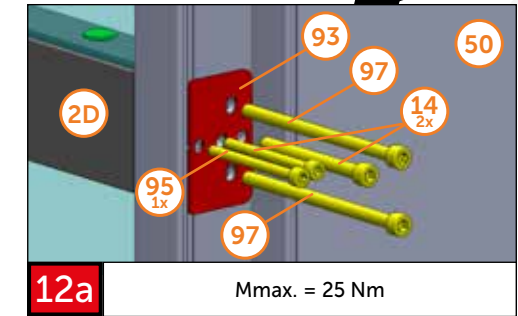
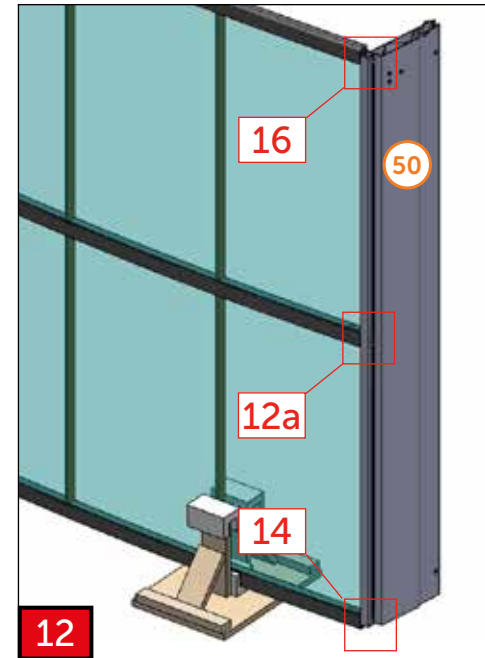
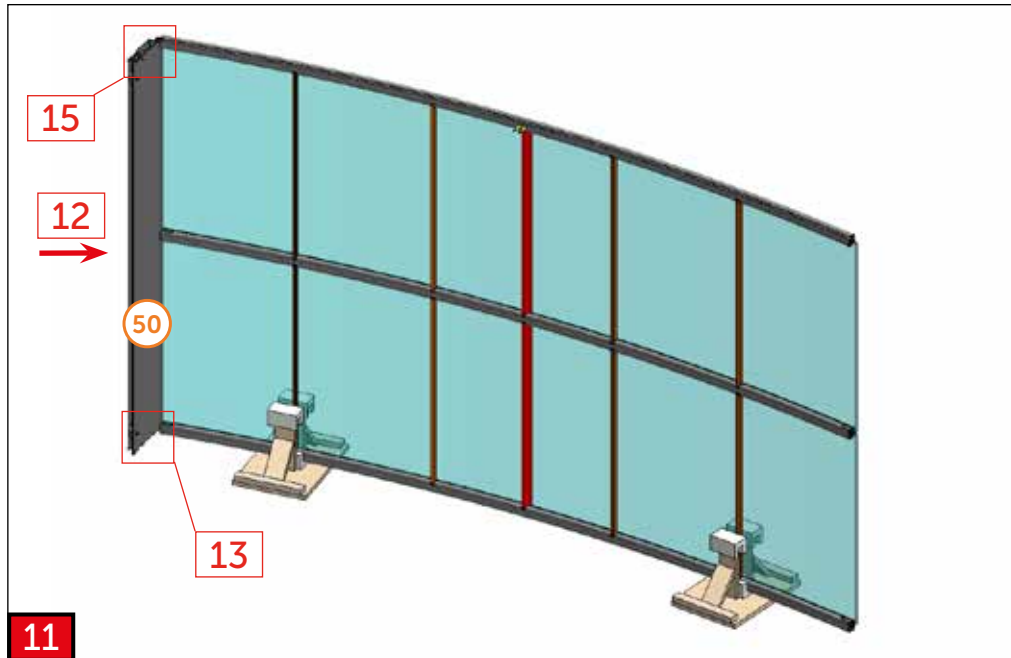
Pomocný držák pro montáž modulu
Auxiliary holder for the assembly of module
Zusätzliche Halterung für die Modulmontage
Support auxiliaire pour l'assemblage du module
Вспомогательный держатель для сборки модуля

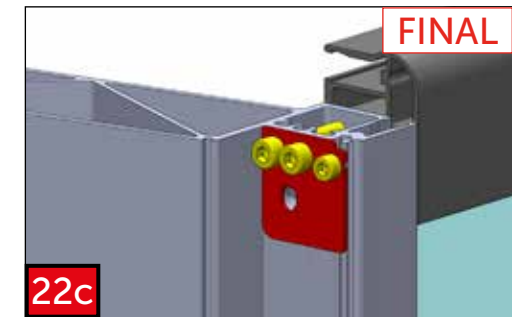
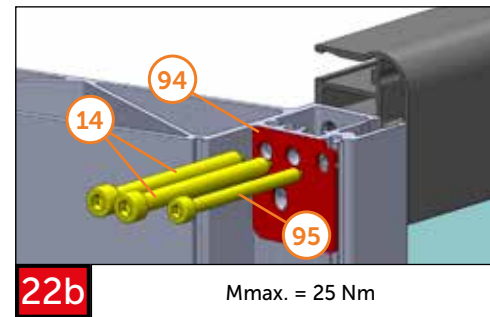
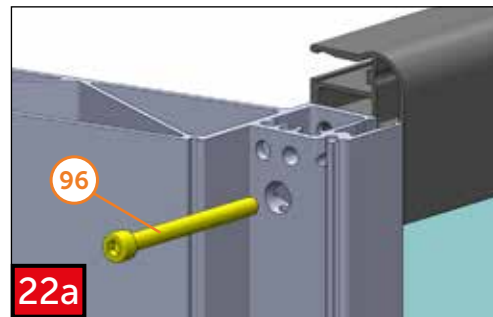
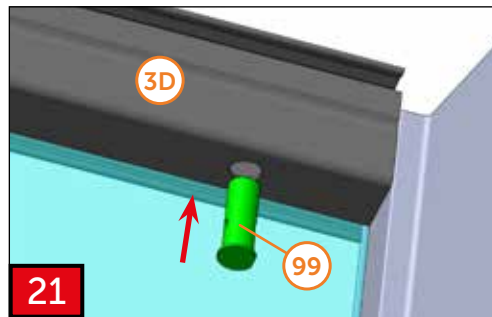
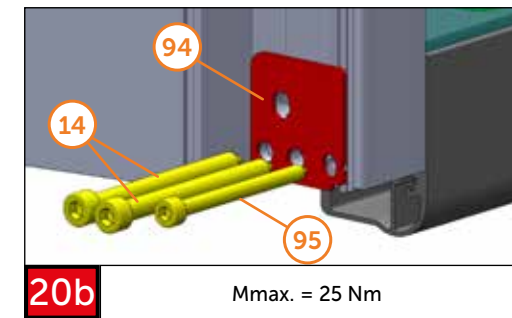
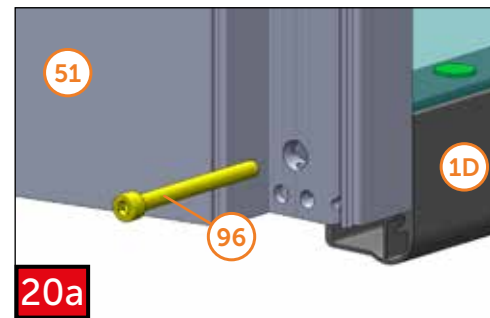
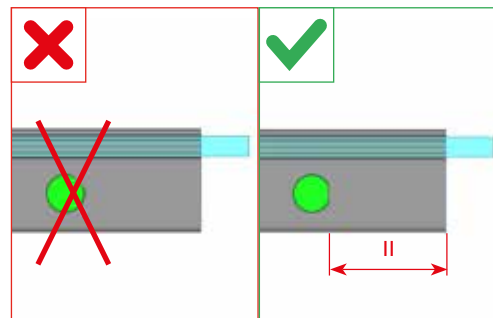
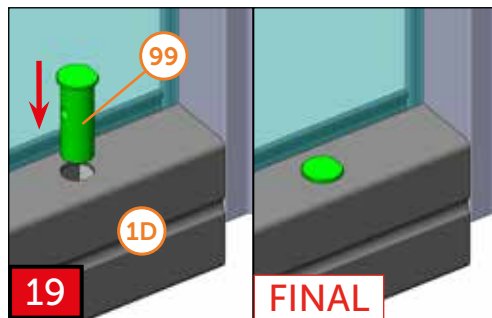
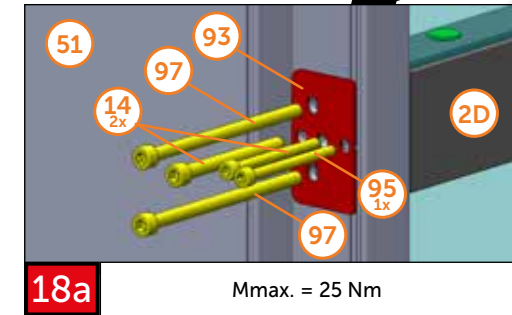
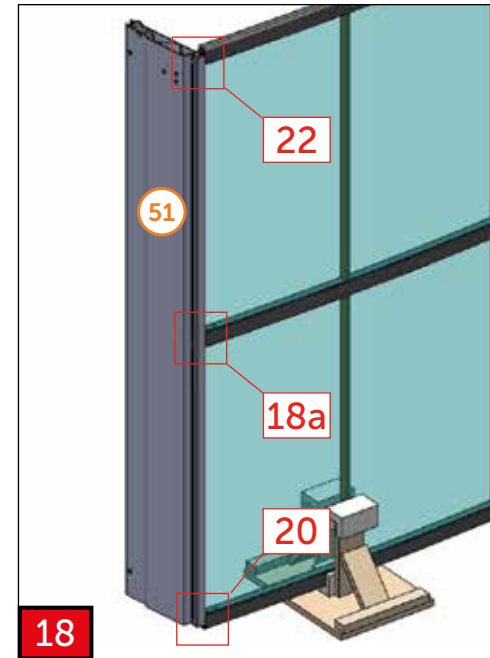
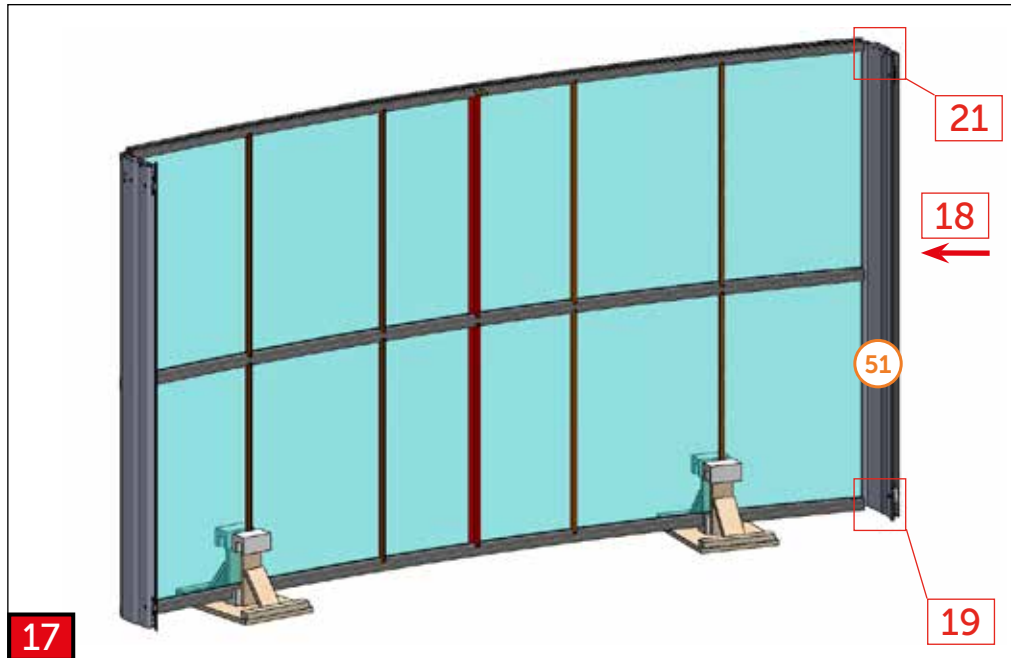


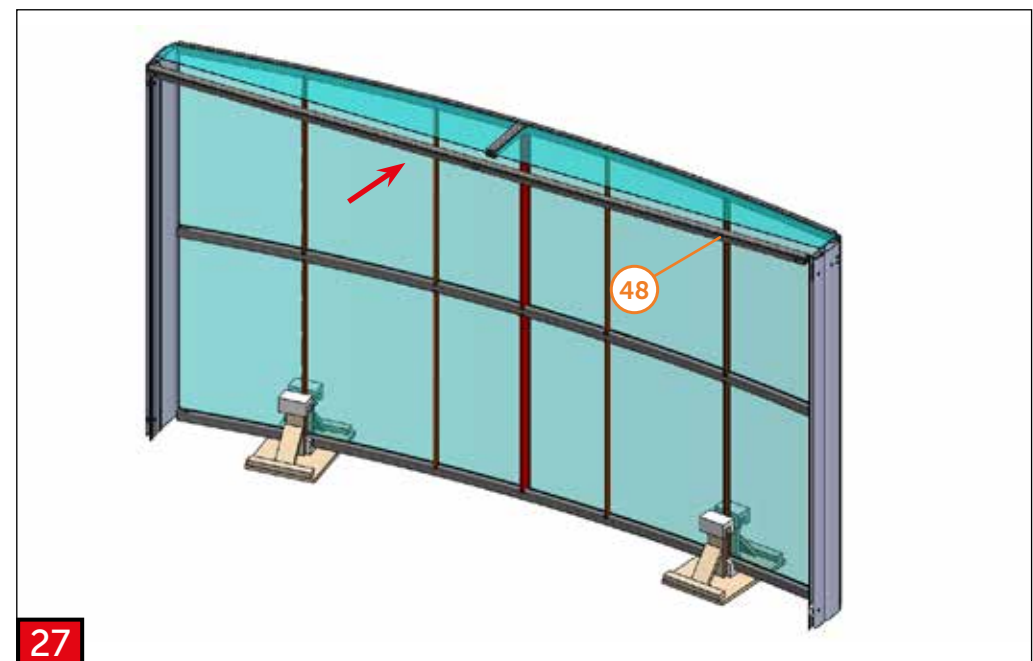
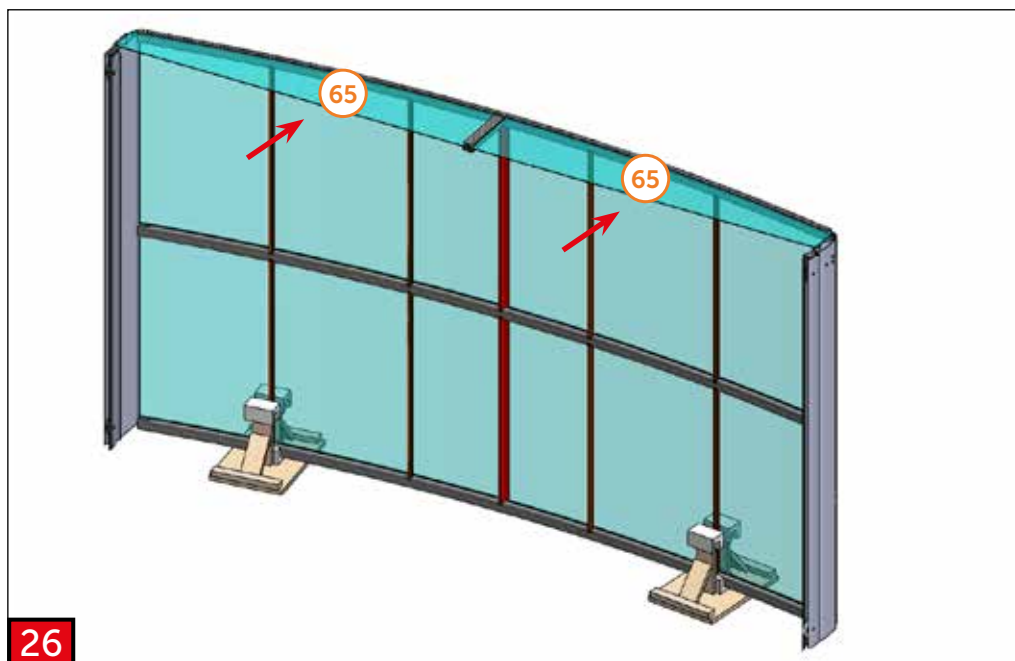
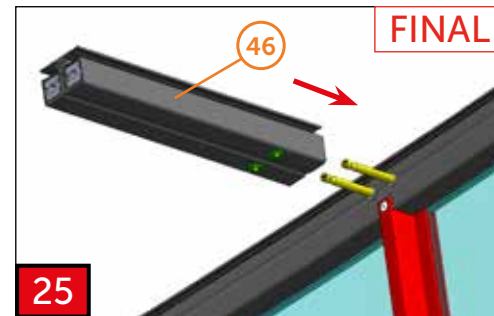
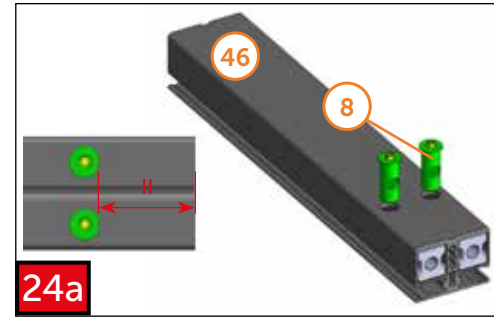
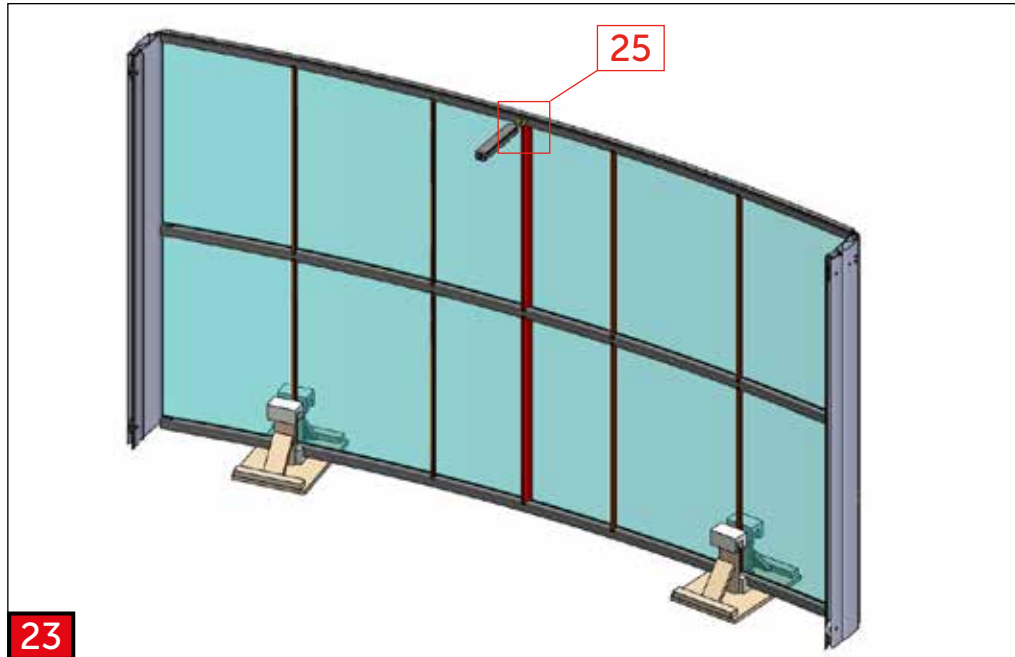
Nutné zajistit modul proti překlopení. Doporučujeme vyrobiť držák z balení (prkna + výložky) nebo zajistit jiným způsobem.
 The module must be secured against falling. We recommend that you make a holder from the transport box (boards + foam liner) or that you secure the module in other safe way.
 Das Modul muss gegen Umkippen gesichert werden. Wir empfehlen, einen Halter aus der Verpackung (Bretter + Liner) zu machen oder das Modul auf andere Weise zu sichern.
 Il est nécessaire d'assurer le module contre son renversement. Nous recommandons de fabriquer le support de l'emballage (les planches + les parements) ou de l'assurer autrement.
 Необходимо обезопасить модуль от опрокидывания. Мы рекомендуем сделать держатель из упаковки (доски + вкладыши) или закрепить его другим способом.

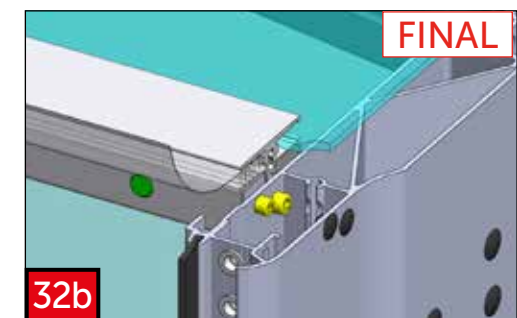
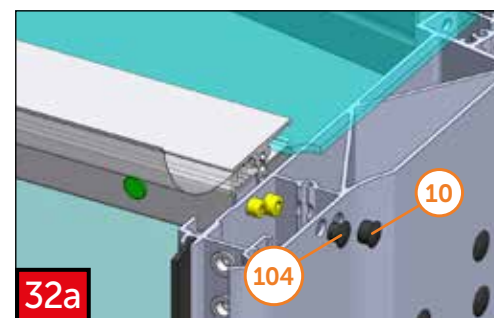
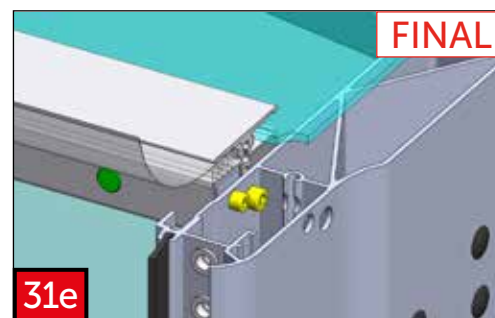
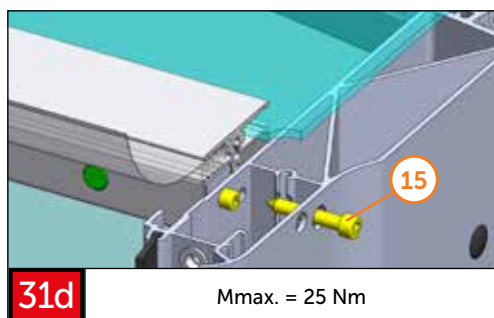
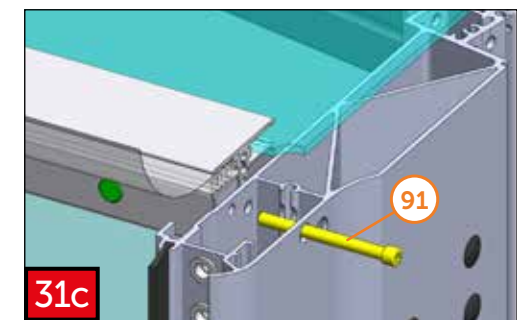
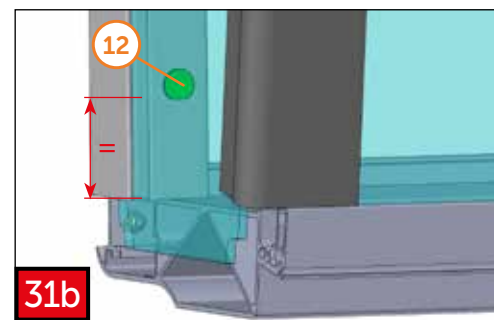
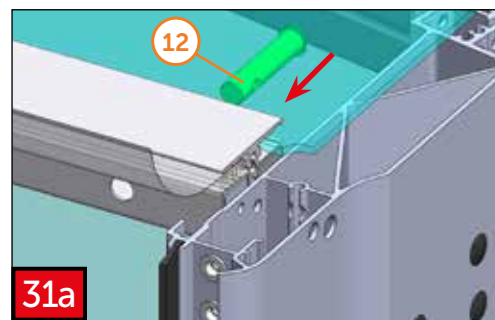
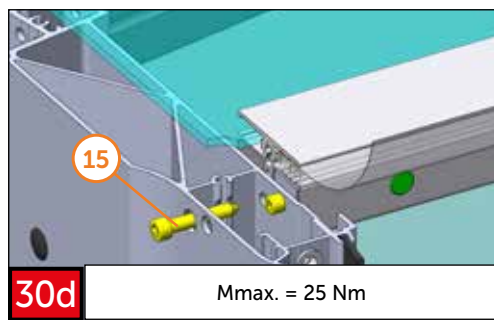
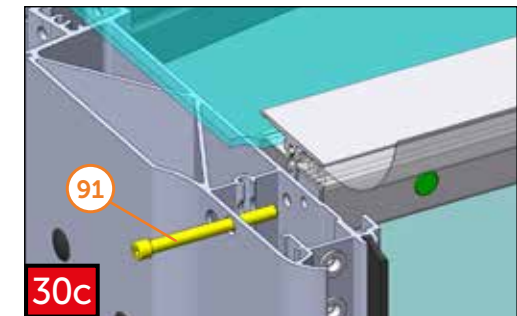
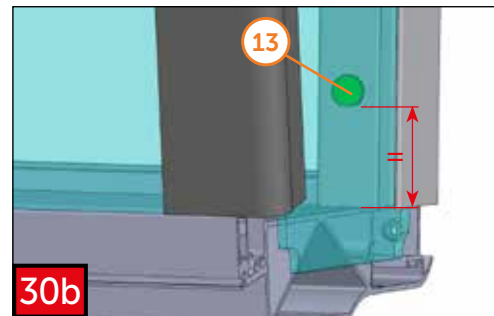
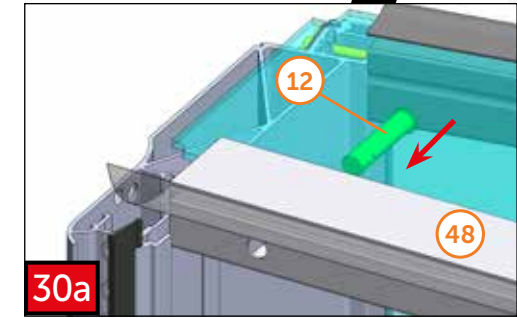
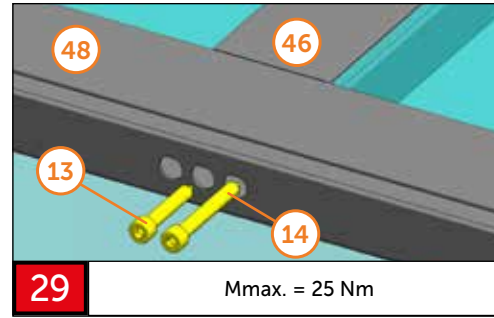
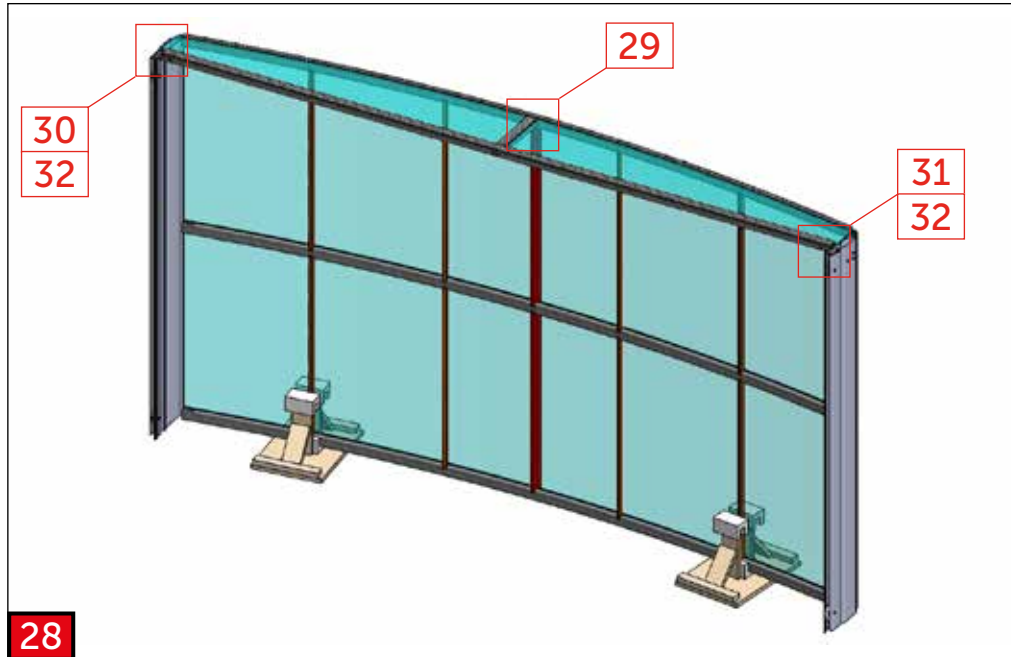




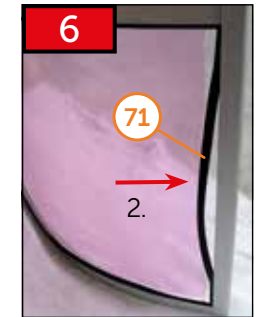
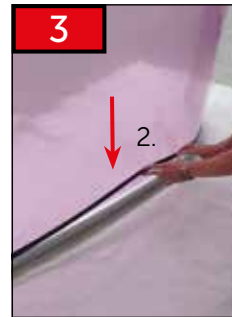
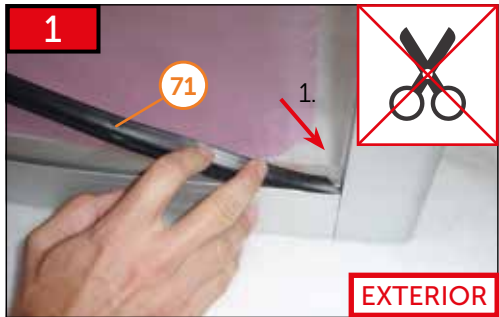
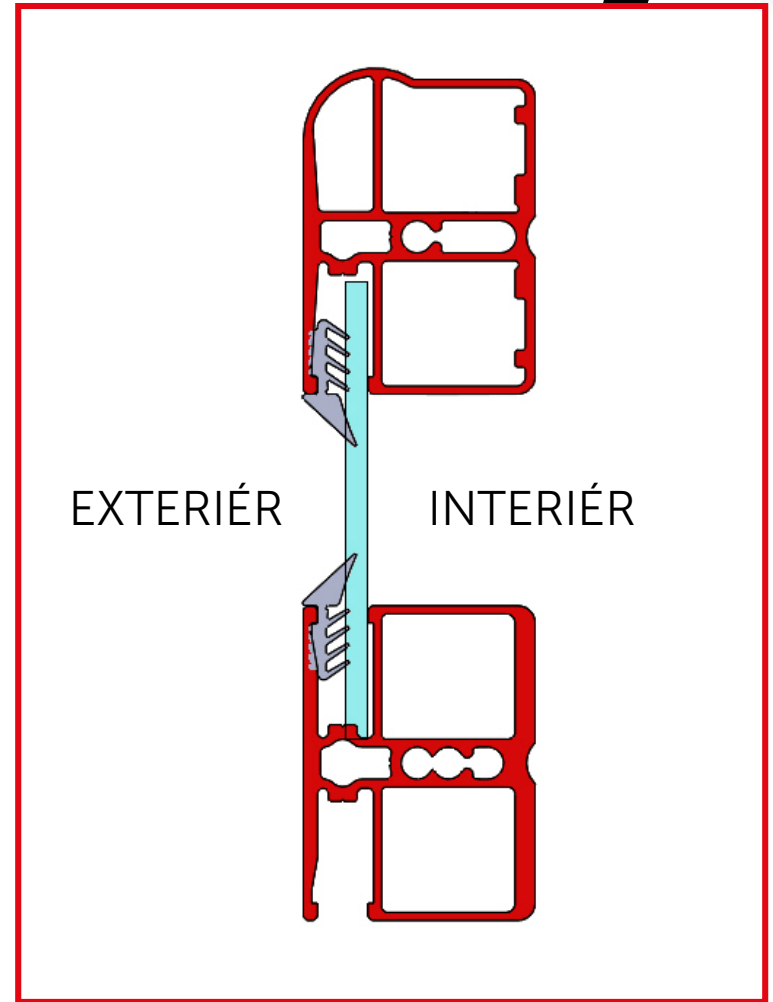
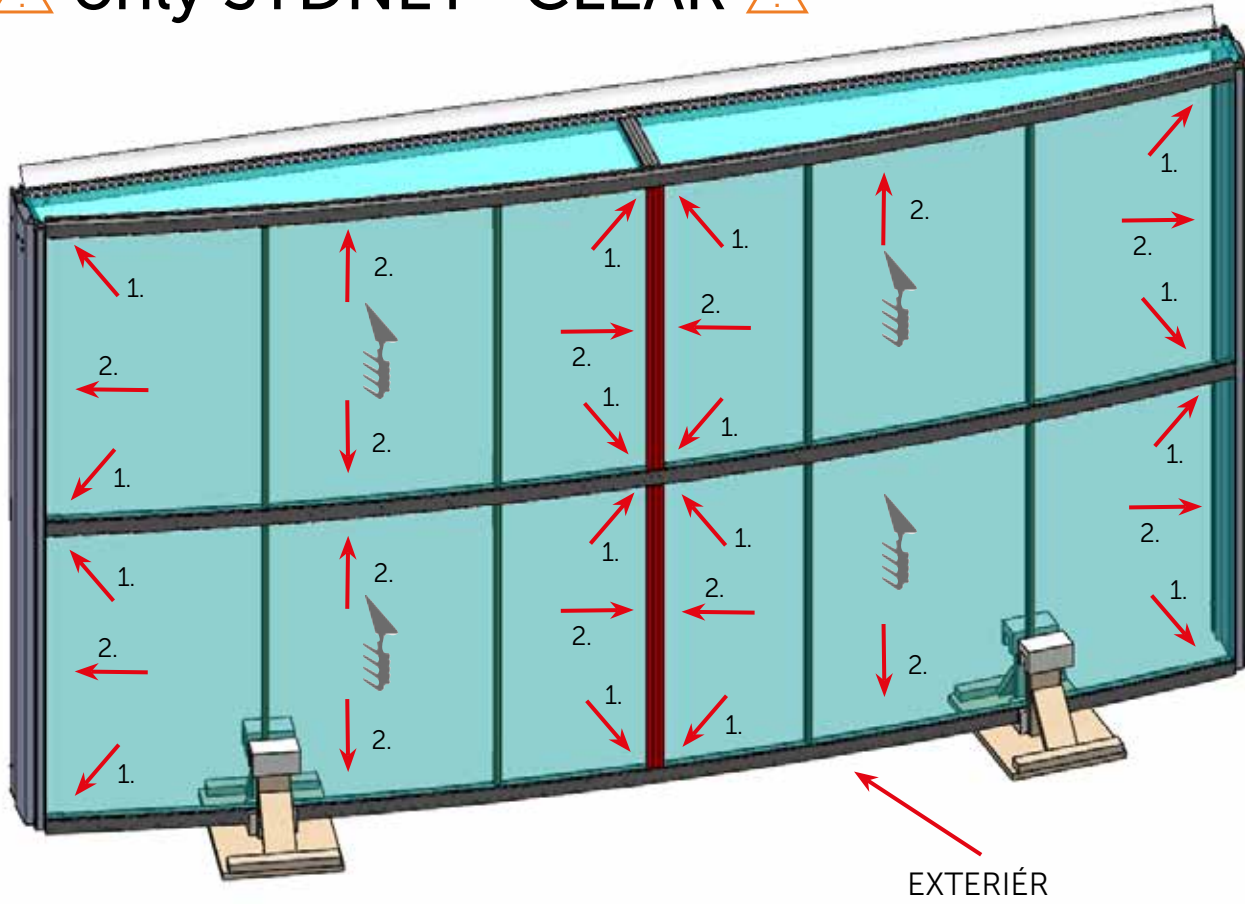


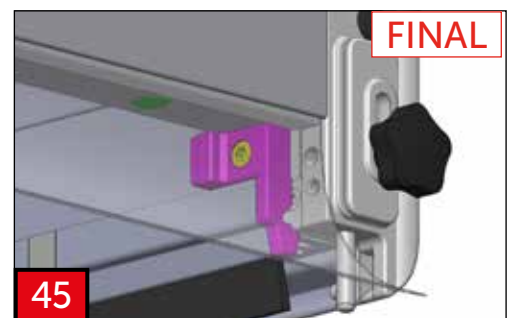
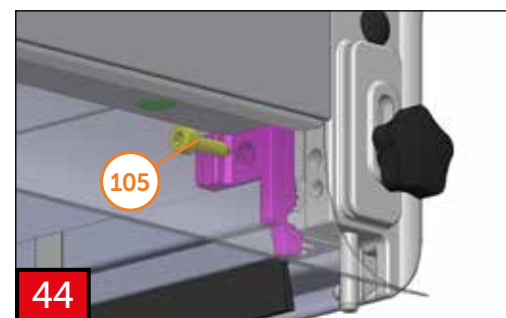
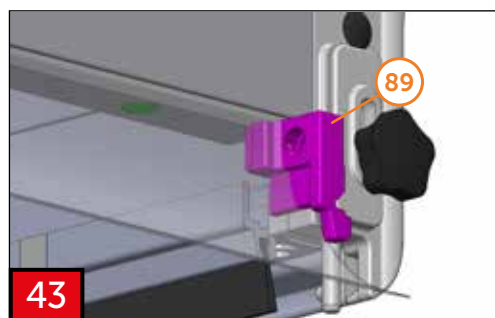
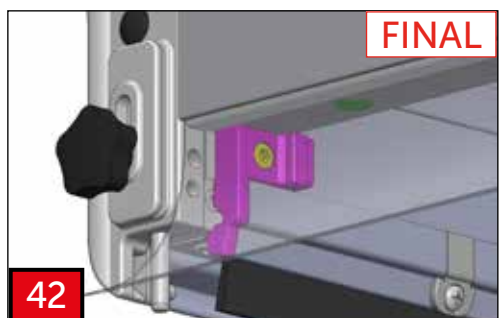
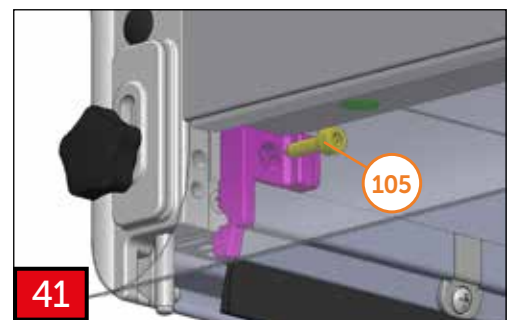
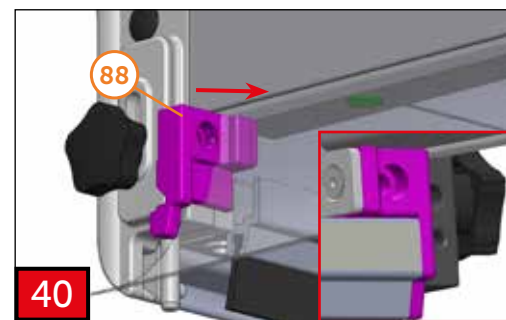
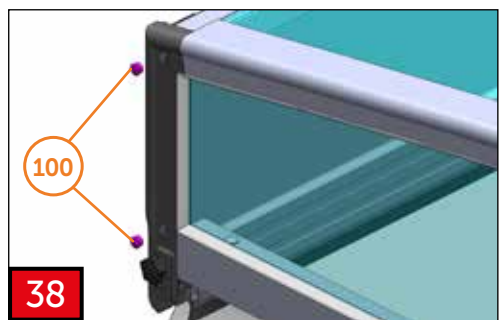
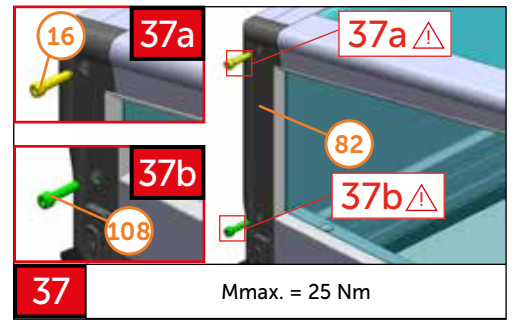
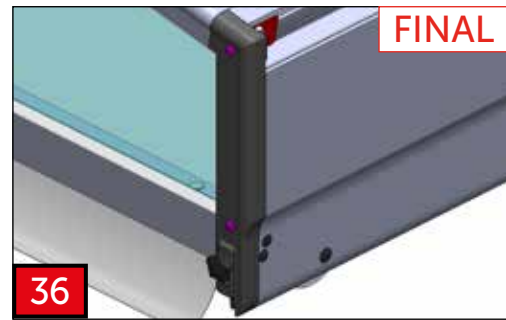
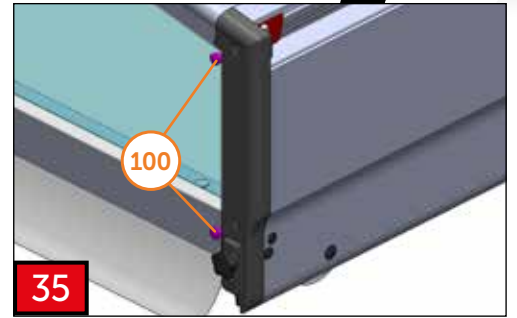
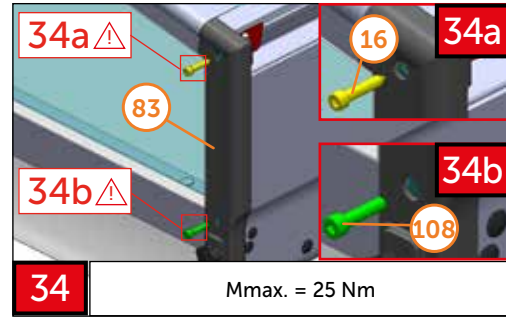
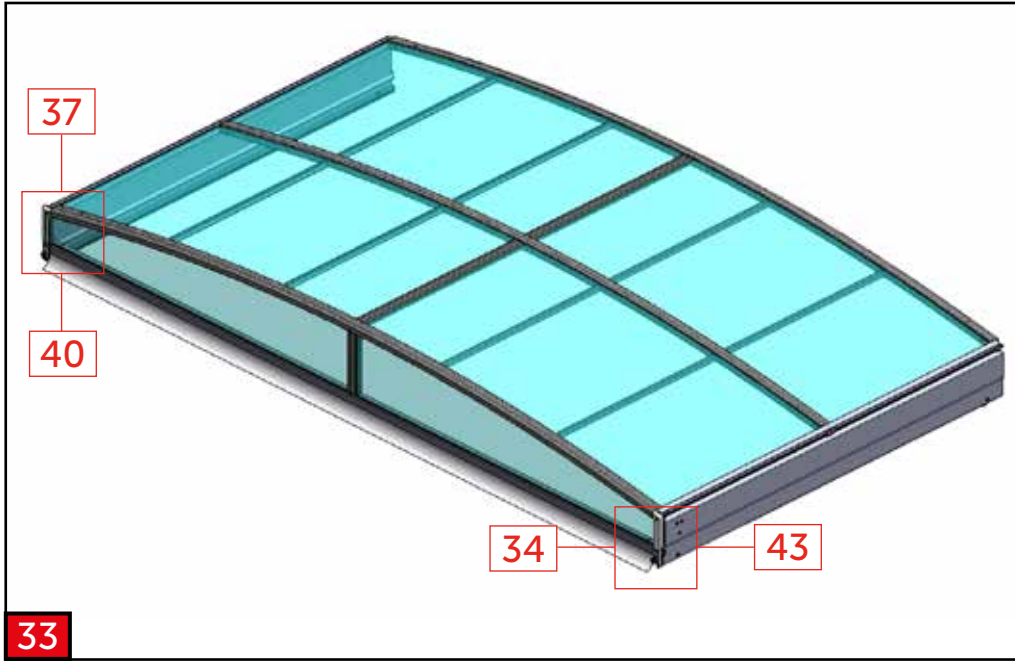




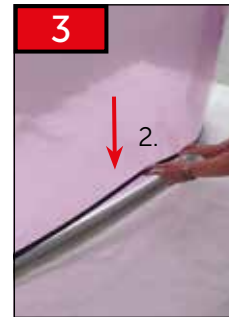
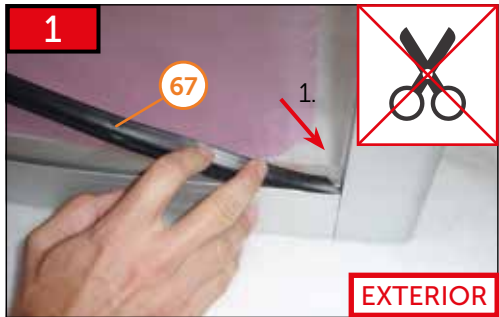
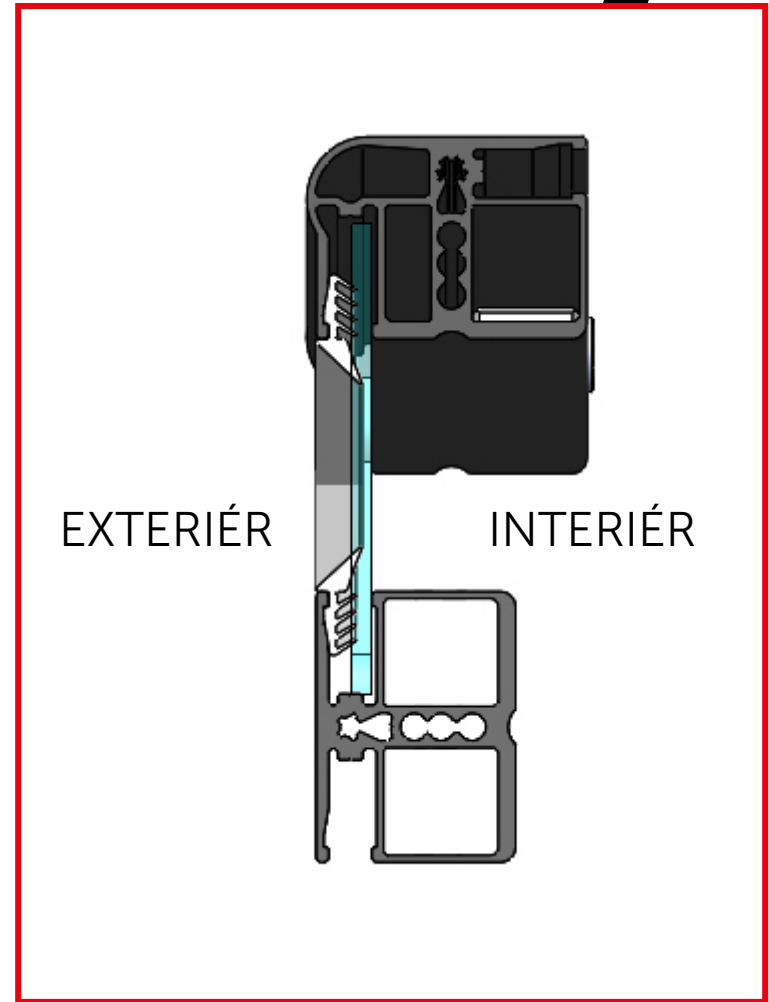
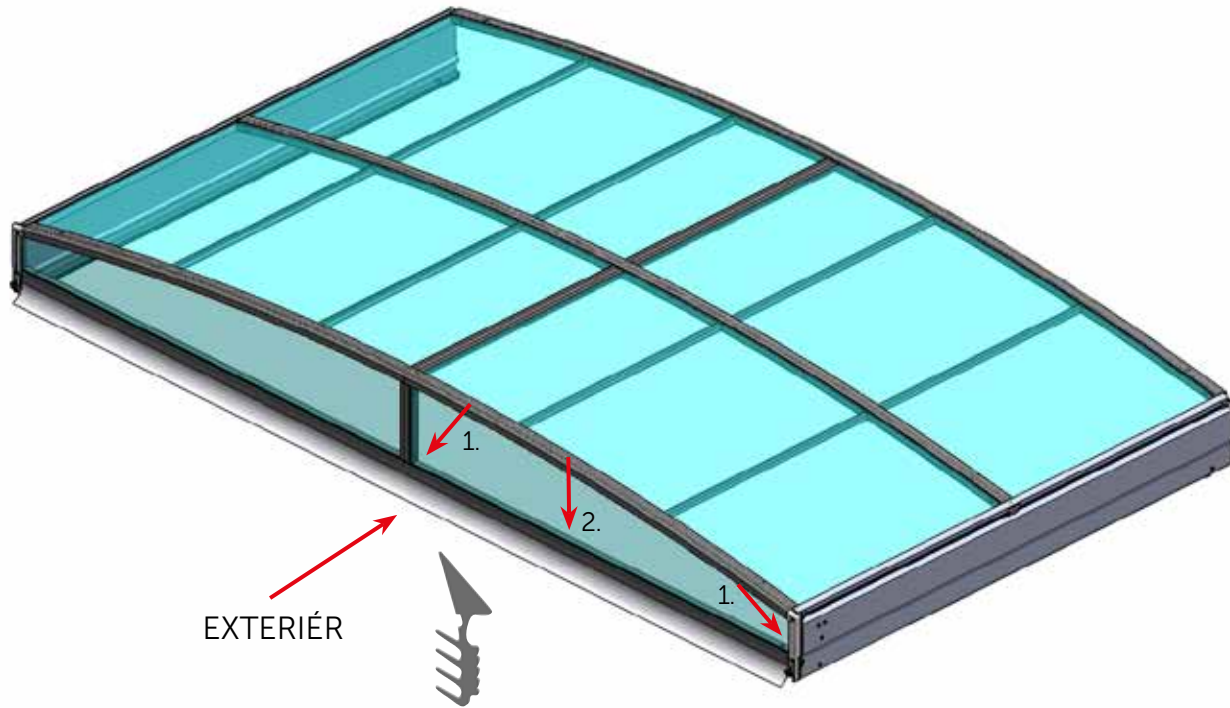


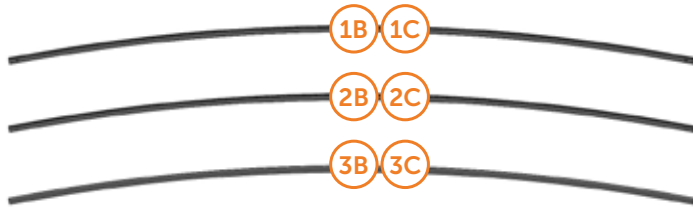
⚠ only SYDNEY CLEAR ⚠





⚠ only SYDNEY CLEAR ⚠





1SP07-01-001

ø4 x 10

20x

7

1SP11-01-031

AN 9051

6,3 x 70

12x

14

1SP11-01-053

AN 9051

6,3 x 32

6x

16

1NA03-01-050

1x

17

Sydney BD/ Clear BD
2Z04-01-SD001 1041 mm

8x

36

Sydney BD/ Clear BD
2Z05-01-SD001 1041 mm

2x

37

Sydney BD/
Clear BD
2Z02-09-SD027 2150 mm

2x

58

1SP10-01-084

ISO 7380

M 6x20

2x

92

1SZ18-02-010

2x

93

1SZ18-02-012

4x

94

1SP11-01-049

AN 9051

4,8x60

6x

95

1SP10-01-078

DIN 912

M 6x65

4x

96

1SP10-01-082

DIN 912

M 6x100

4x

97

1SZ03-01-038

2x

98

1SZ03-01-030

4x

99

1SZ12-01-010

MODUL B 6x

MODUL C 8x

100

1SP10-01-025

DIN912

M6x25

2x

108

MODUL B Sydney BD/ Clear BD
2Z02-09-SR003 2150 mm

"KL" = "KP"

1x

54

MODUL B Sydney BD/ Clear BD
2Z02-09-SR004 2150 mm

"KL" = "KP"

1x

55

MODUL C Sydney BD/ Clear BD
2Z02-09-SR005 2150 mm

"KL" = "KP"

1x

52

MODUL C Sydney BD/ Clear BD
2Z02-09-SR006 2150 mm

"KL" = "KP"

1x

53



Sydney BD/ Clear BD	1859 x 1050 mm	MODUL B
---------------------	----------------	---------

4x
61

Sydney BD/ Clear BD	1929 x 1050 mm	MODUL C
---------------------	----------------	---------

4x
62

MODUL B	2Z09-01-SD072
----------------	---------------

1x
76

MODUL B	2Z09-01-SD073
----------------	---------------

1x
77

MODUL B	2Z09-01-SD074
----------------	---------------

1x
78

MODUL B	2Z09-01-SD075
----------------	---------------

1x
79

MODUL C	2Z09-01-SD058
----------------	---------------

1x
80

MODUL C	2Z09-01-SD059
----------------	---------------

1x
81

MODUL C	2Z09-01-SD060
----------------	---------------

1x
82

MODUL C	2Z09-01-SD061
----------------	---------------

1x
83

MODUL B	1x	2SZ18-02-001D
MODUL C	1x	

OPTIONAL "KL"
3

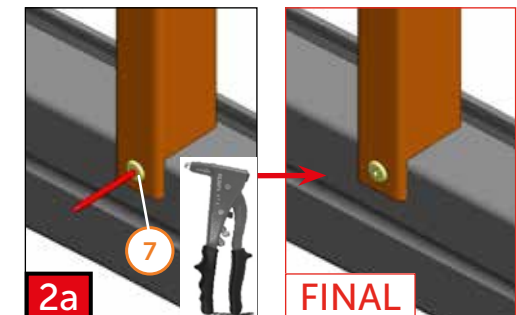
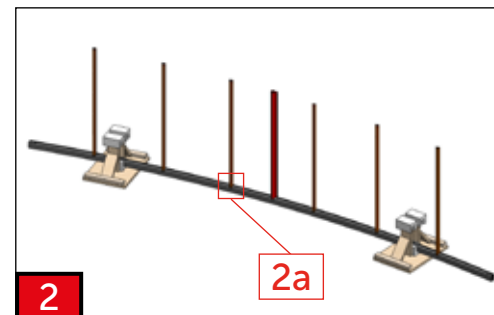
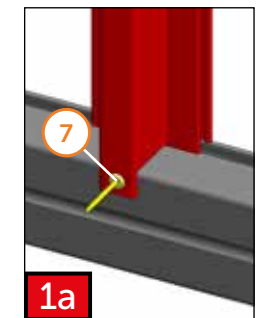
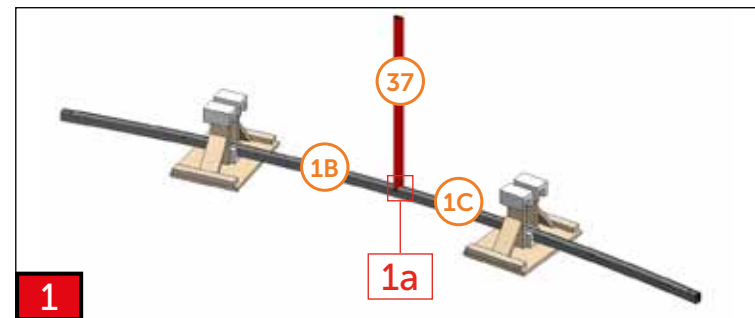
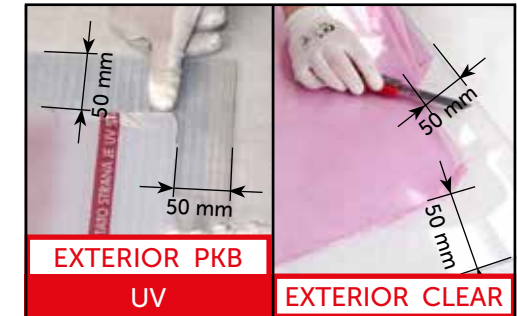
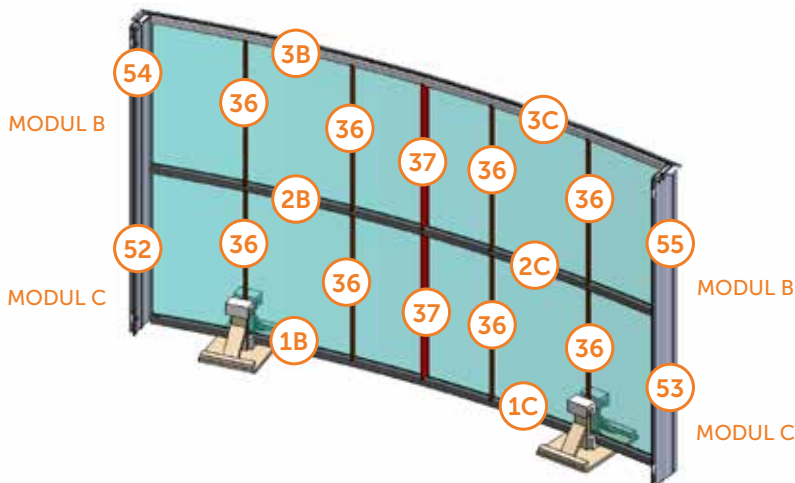
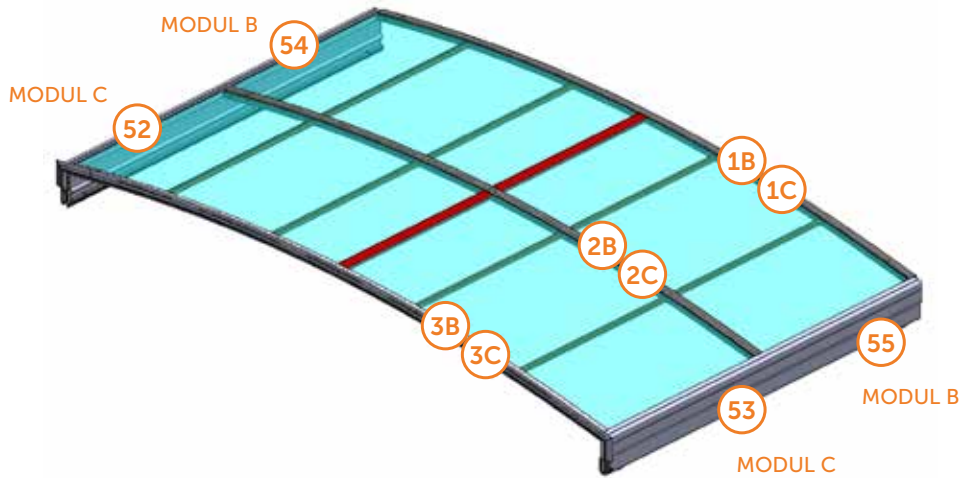
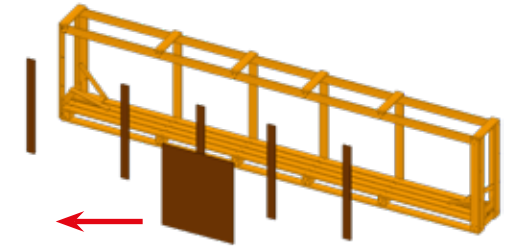
MODUL B	1x	2SZ18-02-002D
MODUL C	1x	

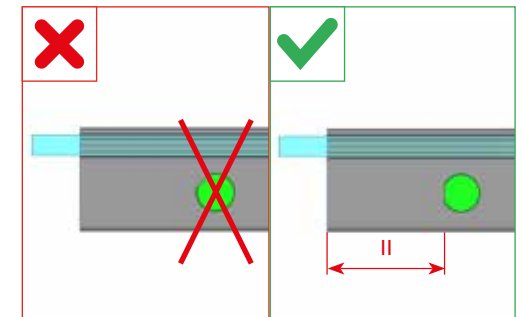
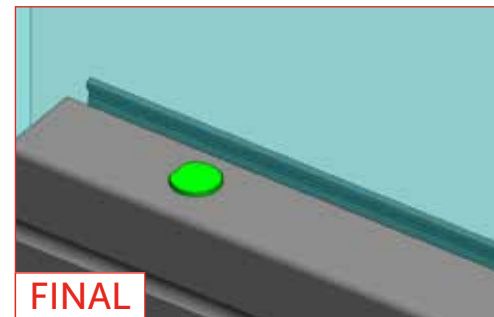
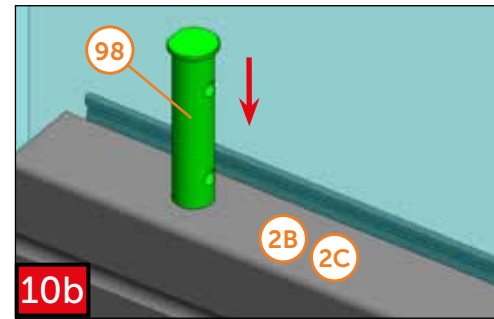
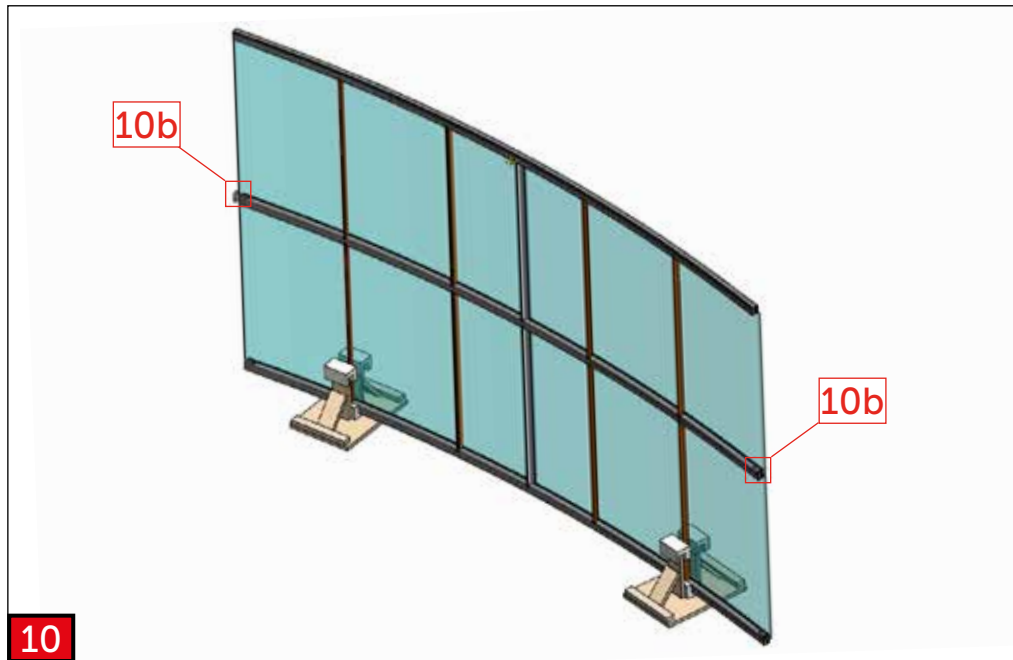
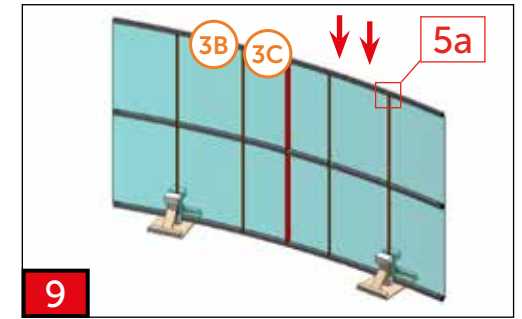
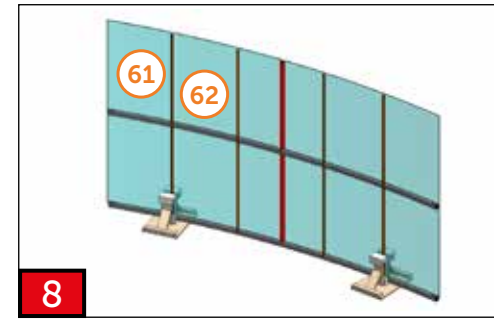
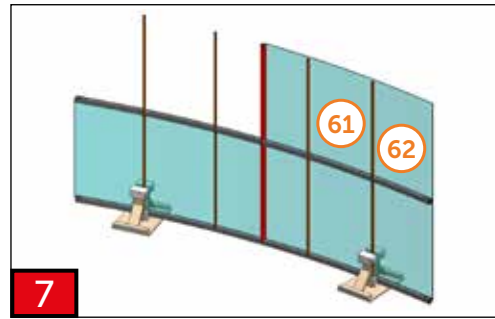
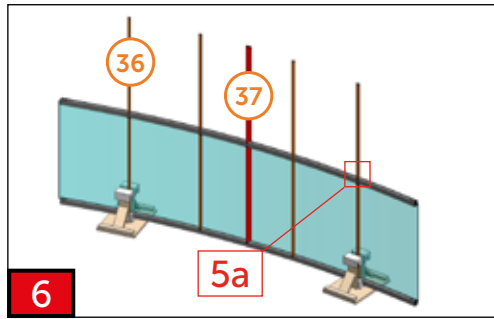
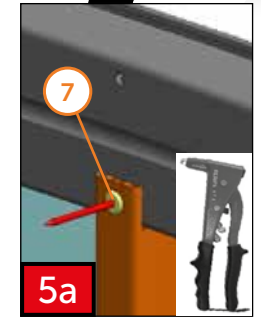
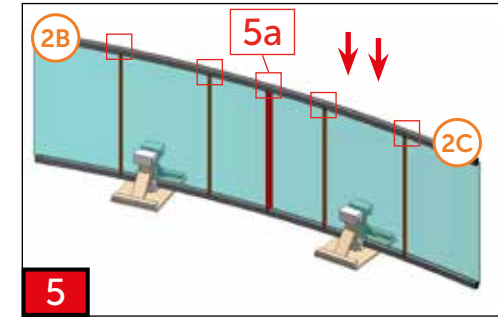
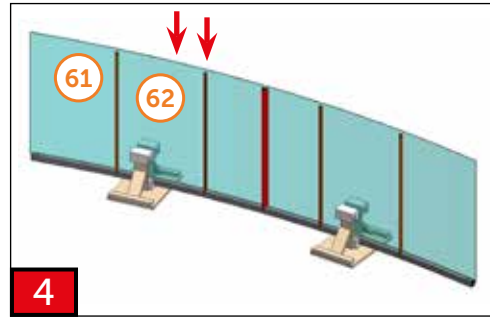
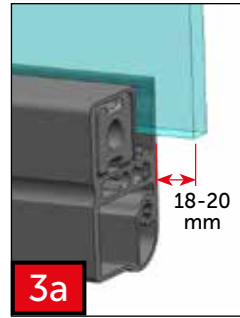
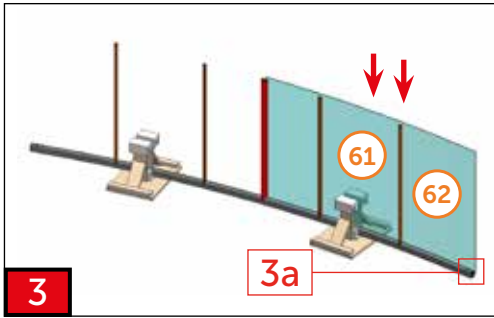
OPTIONAL "KP"
4

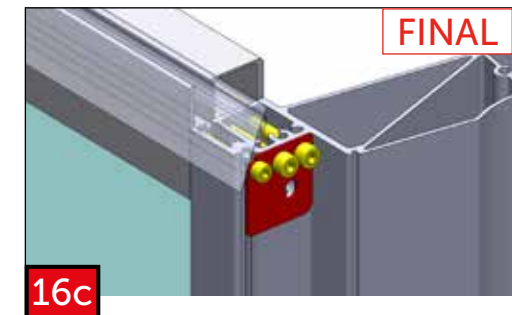
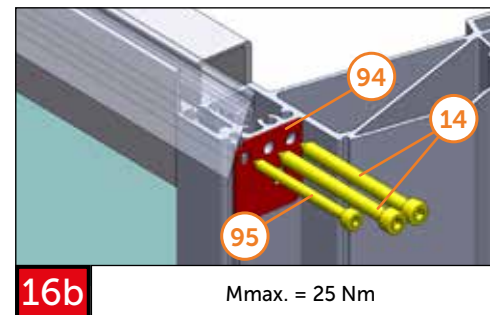
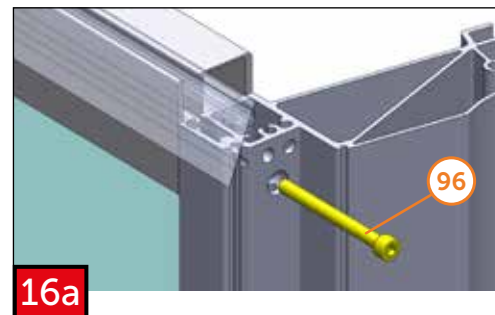
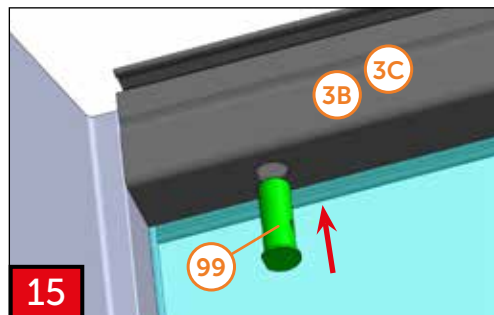
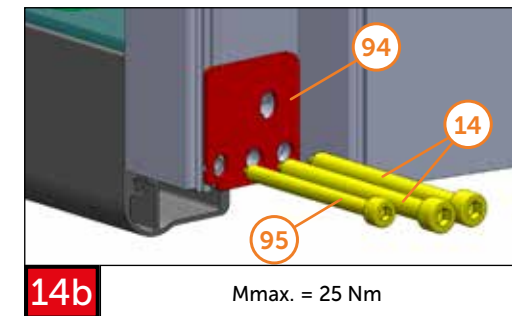
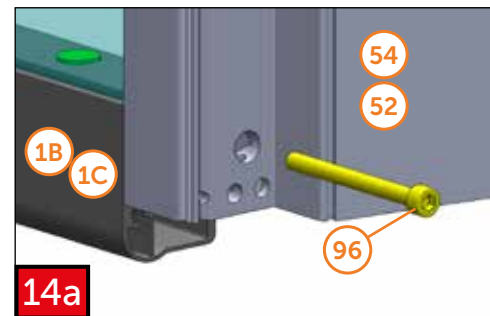
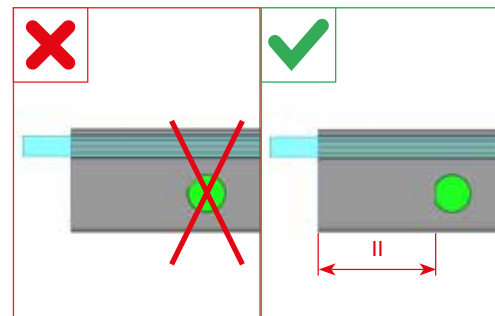
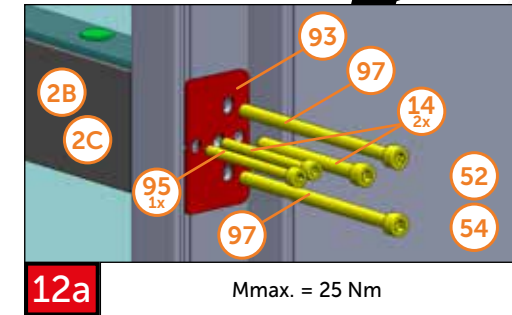
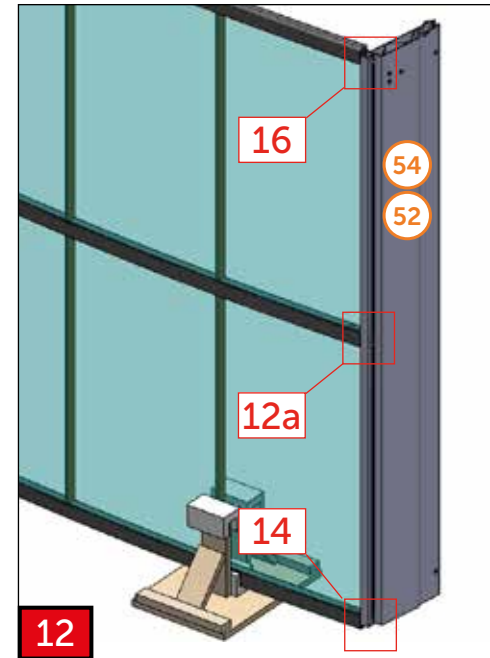
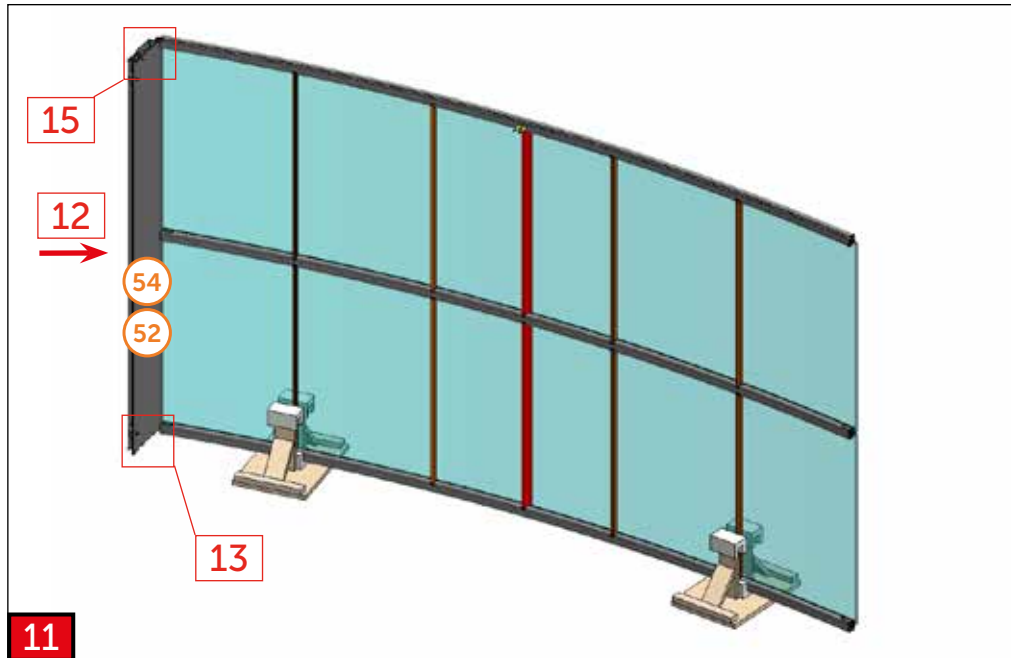
Pomocný držák pro montáž modulu
Auxiliary holder for the assembly of module
Zusätzliche Halterung für die Modulmontage
Support auxiliaire pour l'assemblage du module
Вспомогательный держатель для сборки модуля

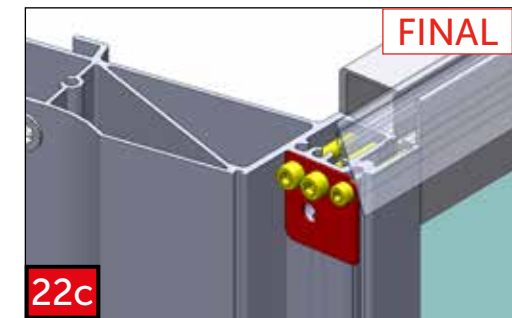
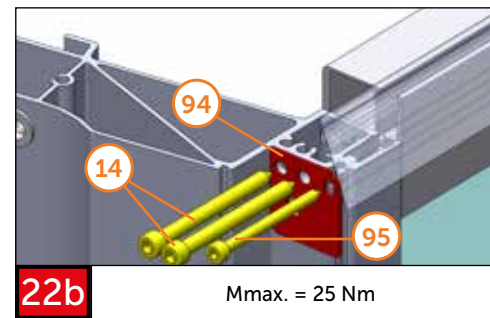
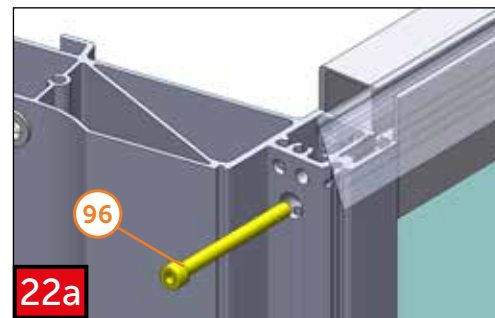
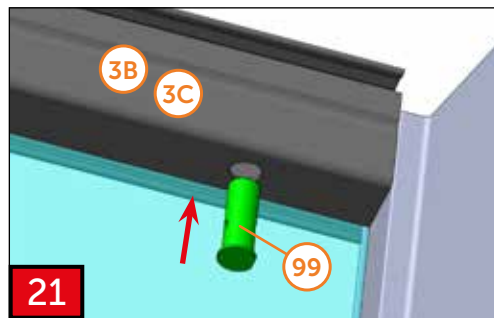
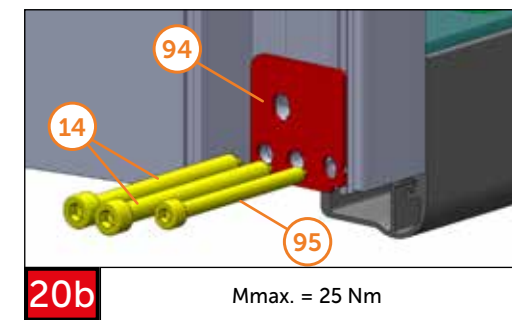
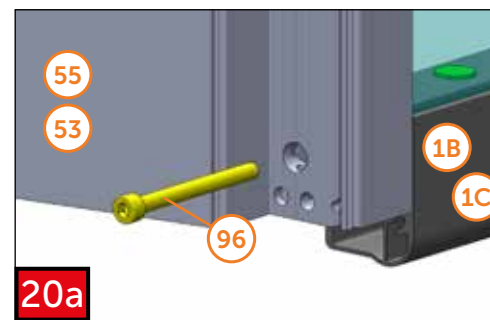
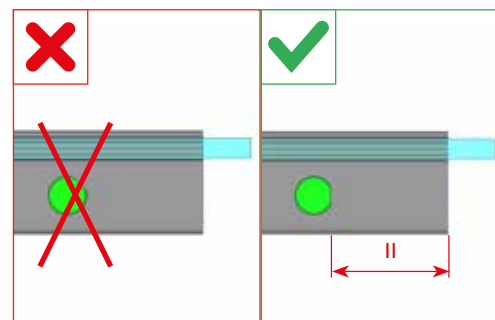
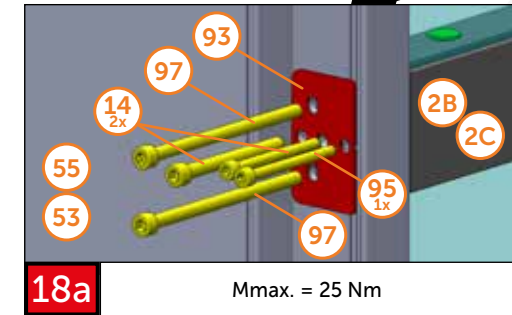
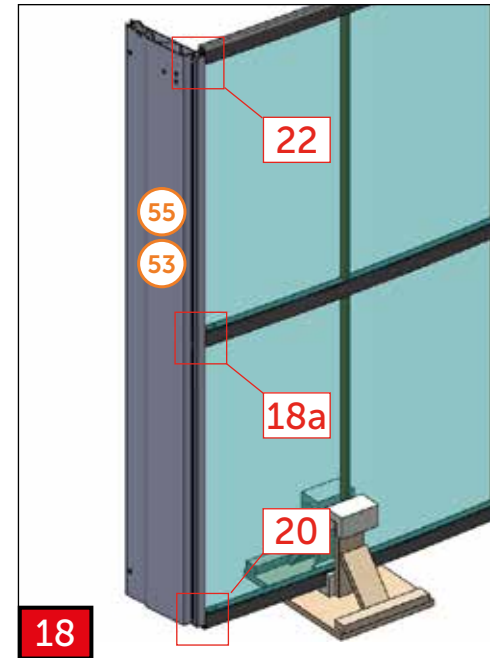
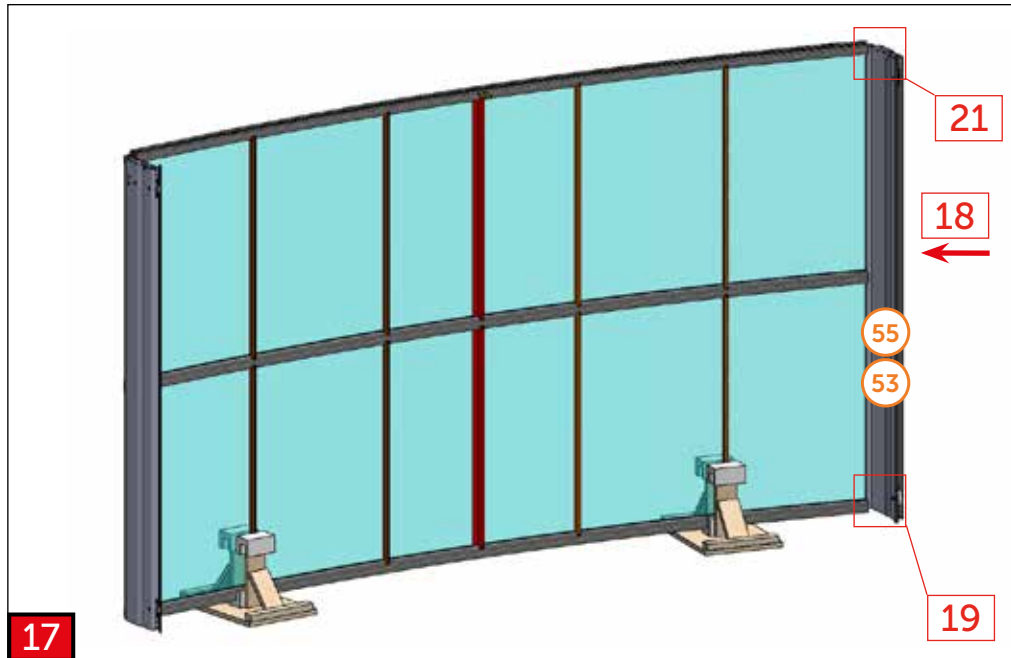


Nutné zajistit modul proti překlopení. Doporučujeme vyrobit držák z balení (prkna + výložky) nebo zajistit jiným způsobem.
 The module must be secured against falling. We recommend that you make a holder from the transport box (boards + foam liner) or that you secure the module in other safe way.
 Das Modul muss gegen Umkippen gesichert werden. Wir empfehlen, einen Halter aus der Verpackung (Bretter + Liner) zu machen oder das Modul auf andere Weise zu sichern.
 Il est nécessaire d'assurer le module contre son renversement. Nous recommandons de fabriquer le support de l'emballage (les planches + les parements) ou de l'assurer autrement.
 Необходимо обезопасить модуль от опрокидывания. Мы рекомендуем сделать держатель из упаковки (доски + вкладыши) или закрепить его другим способом.

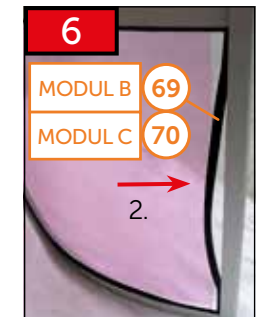
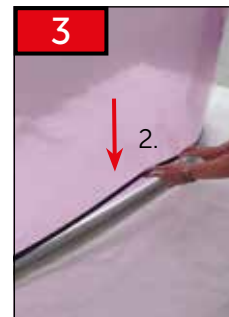
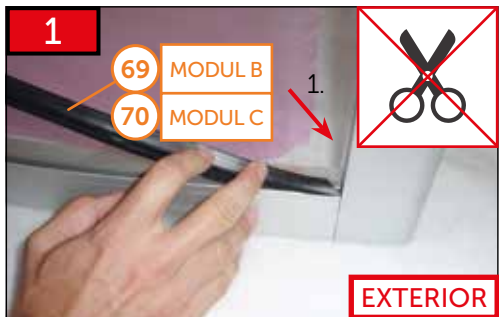
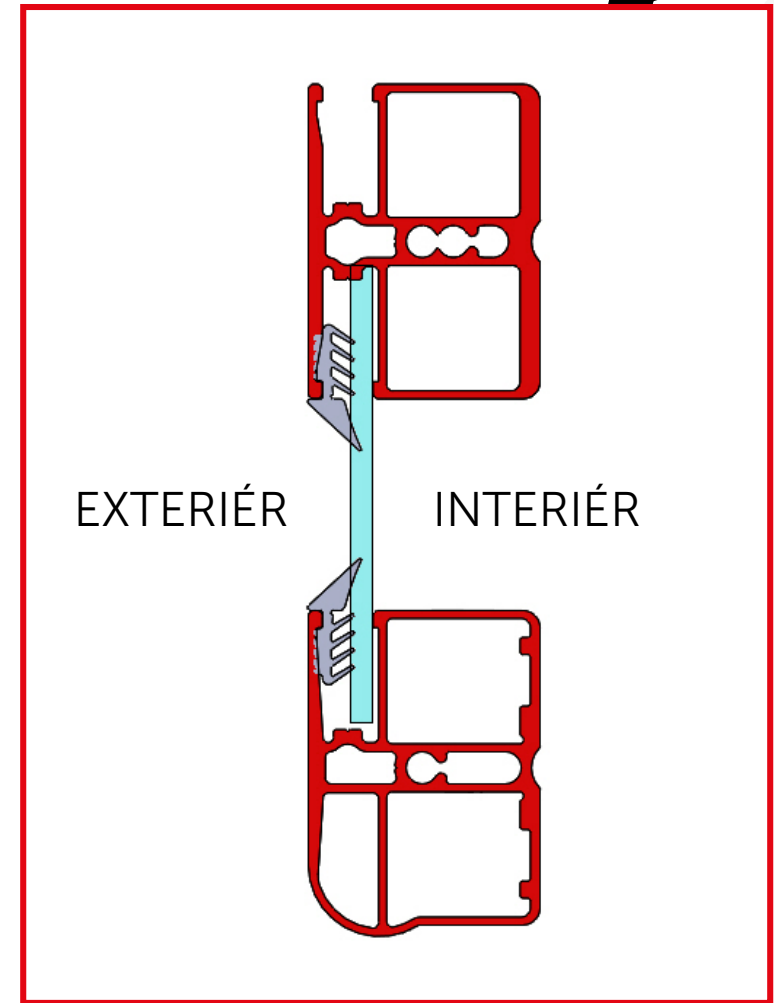
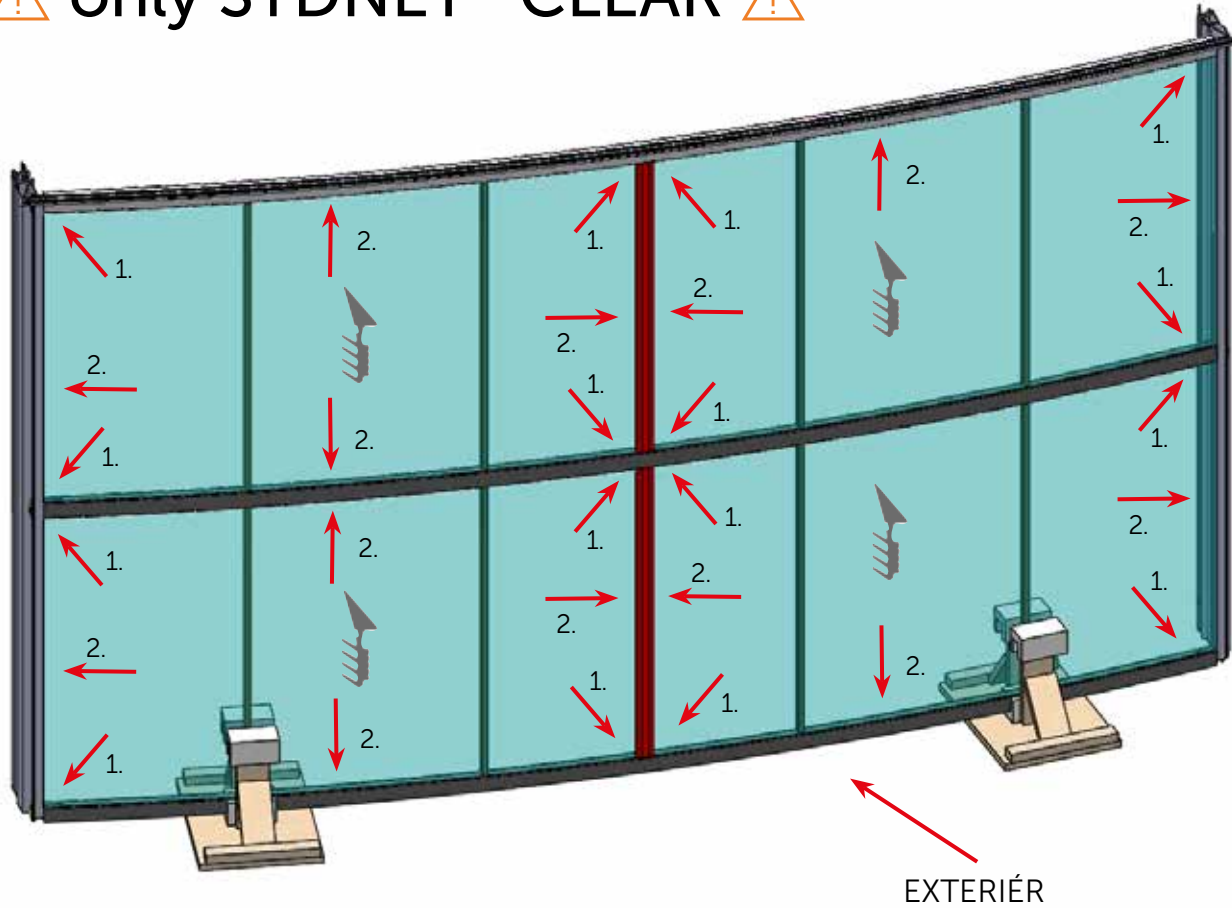


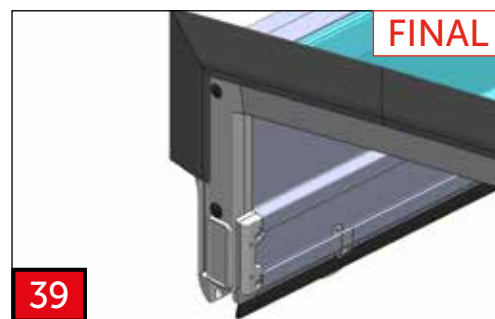
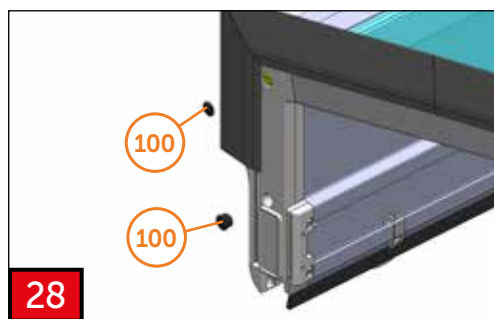
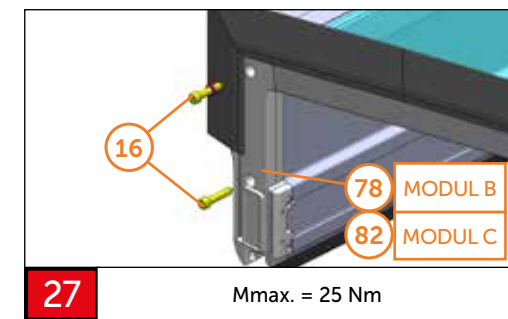
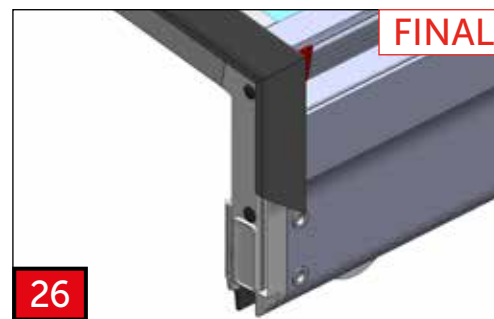
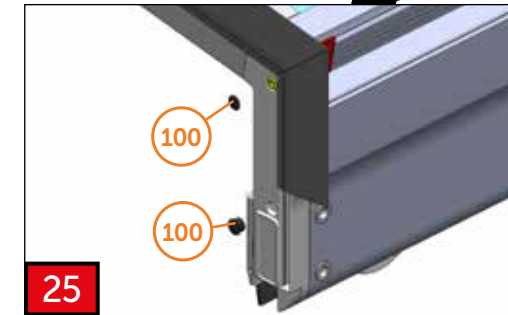
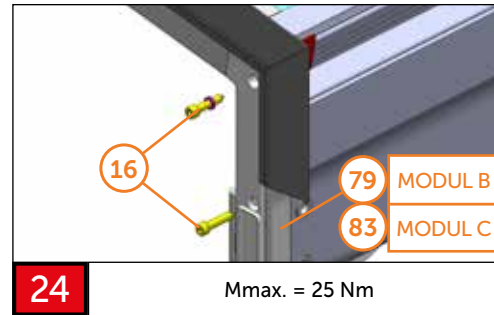
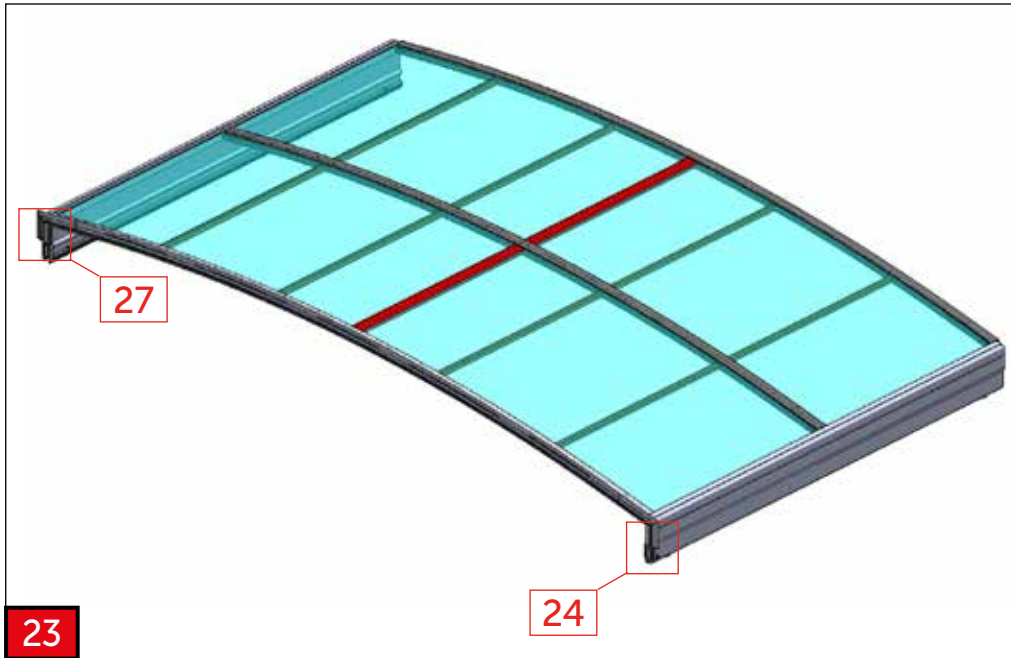


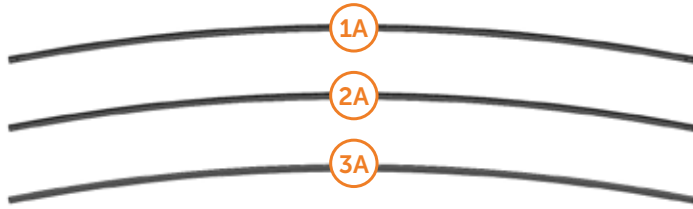




⚠ only SYDNEY CLEAR ⚠







1SP07-01-001

ø4 x 10

20x

7

1SZ03-01-035

DIN 914

M6x14

2x

8

1SZ29-01-008

2x

11

1SZ03-01-040

2x

12

1SP11-01-029

AN 9051

6,3 x 50

1x

13

1SP11-01-031

AN 9051

6,3 x 70

13x

14

1SP11-01-027

AN 9051

6,3 x 38

2x

15

1SP11-01-053

AN 9051 A4

6,3 x 32

6x

16

1NA03-01-050

1x

17

Sydney BD/ Clear BD
2Z04-01-SD001

1041 mm

8x

36

Sydney BD/ Clear BD
2Z05-01-SD001

1041 mm

2x

37

2Z12-01-DP020

193 mm

1x

45

2Z12-01-DP019

3549 mm

1x

47

"KL" = "KP"

Sydney BD/ Clear BD
2Z02-09-SR001

2150 mm

1x

56

"KL" = "KP"

Sydney BD/ Clear BD
2Z02-09-SR002

2150 mm

1x

57

Sydney B/
Clear B
2Z02-09-SD027

2150 mm

2x

58

Sydney BD/ Clear BD

1789 x 1050 mm

MODULA

4x

60

2x

64

2x

66

2Z09-01-SD078

1x

MODULA

74

2Z09-01-SD079


1x

MODULA

75




1SP10-01-077



DIN 912
M 5x65
2x

91


1SP10-01-084



ISO 7380
M 6x20
4x

92


1SZ18-02-010



2x

93


1SZ18-02-012



4x

94


1SP11-01-049



AN 9051
4,8x60
6x

95


1SP10-01-078



DIN 912
M 6x65
4x

96


1SP10-01-082



DIN 912
M 6x100
4x

97


1SZ03-01-038



2x

98

1SZ03-01-030



4x

99


1SZ12-01-010



6x

100


1SZ12-01-052



2x

104


1SZ12-01-051



2x

10

1SP10-01-025



DIN912
M6x25
2x

108

2Z09-01-SD076



1x

72

 MODULA

2Z09-01-SD077



1x

73


 MODULA

2SZ18-02-001D



1x

3

 MODULA

2SZ18-02-002D



1x

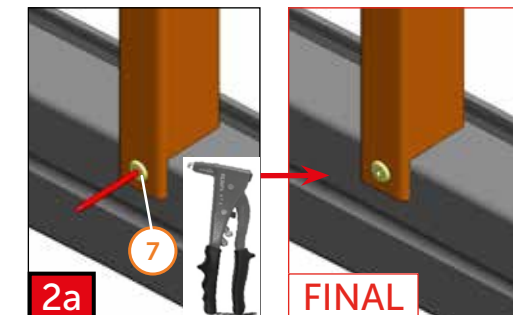
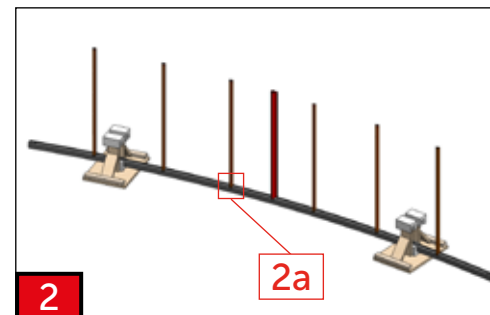
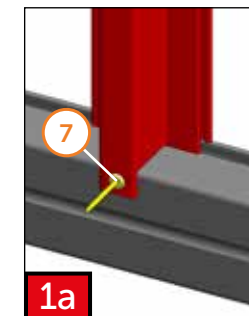
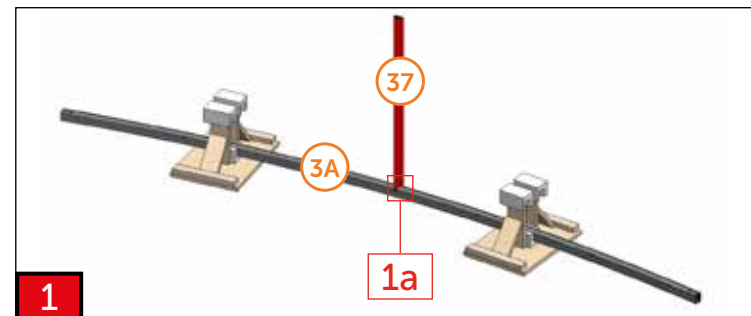
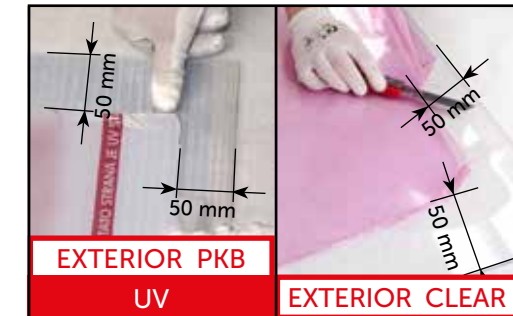
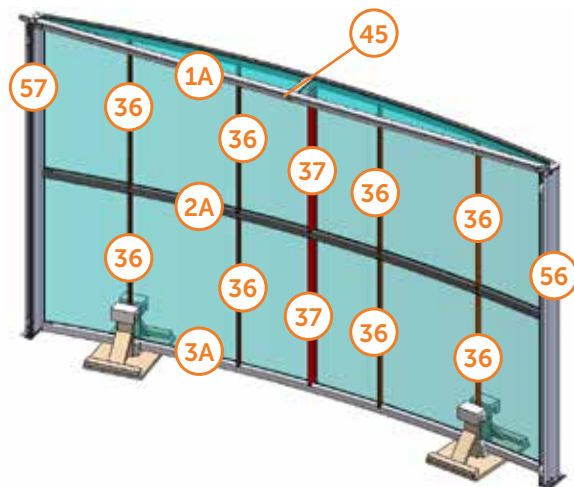
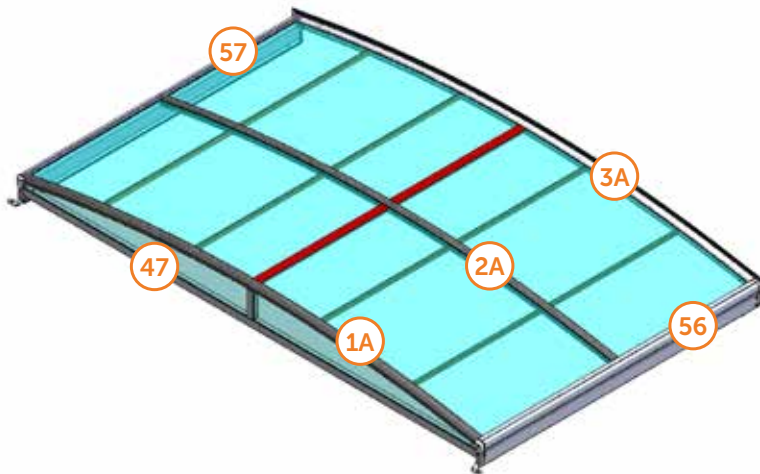
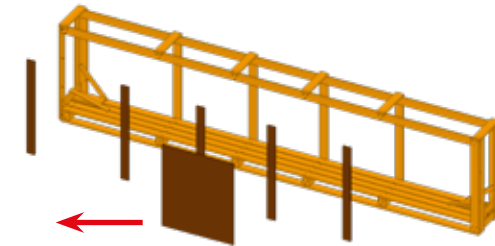
4

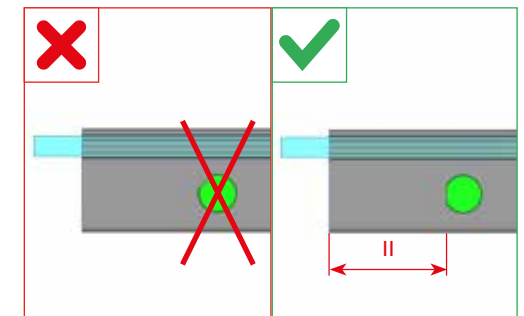
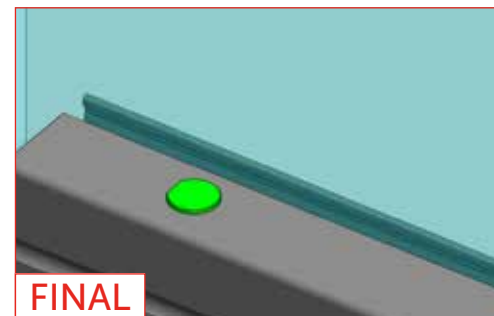
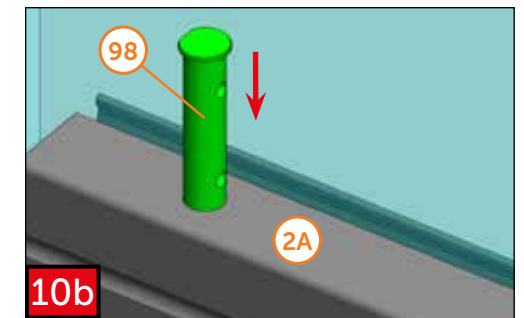
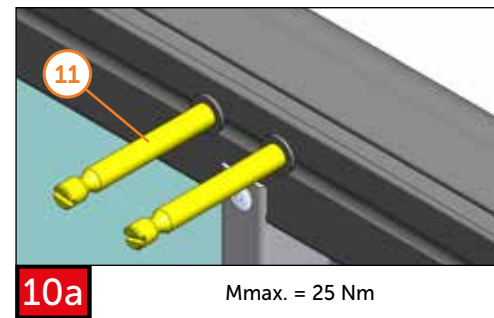
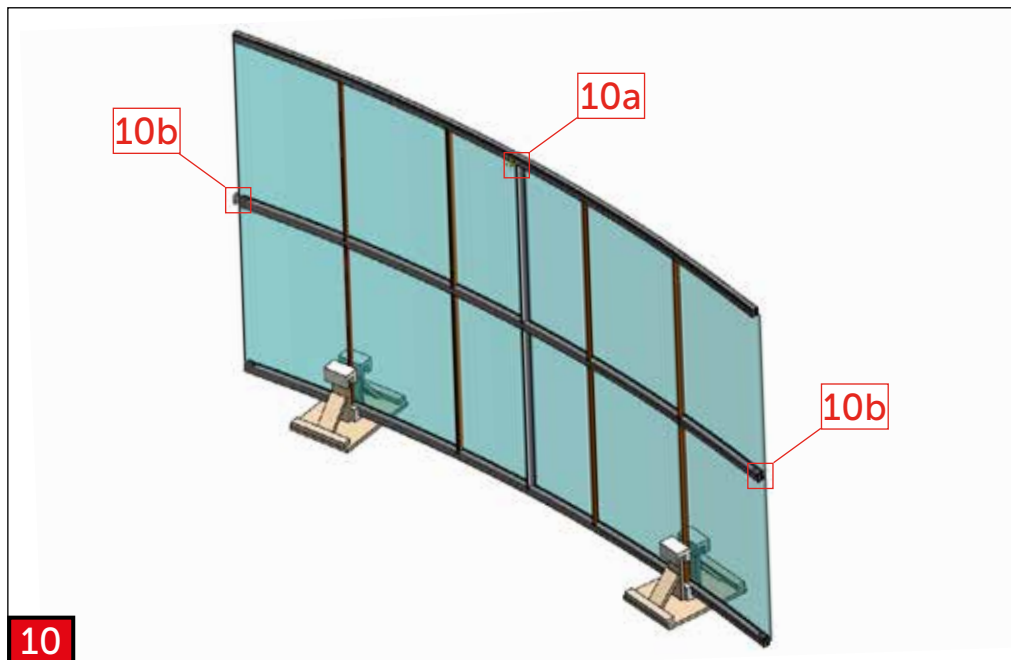
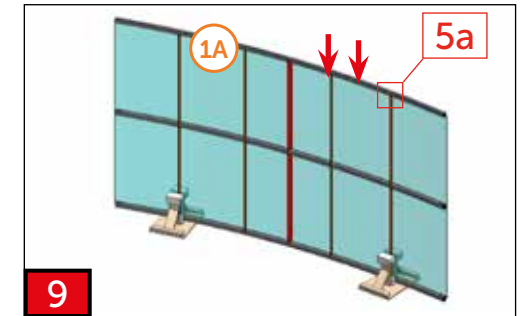
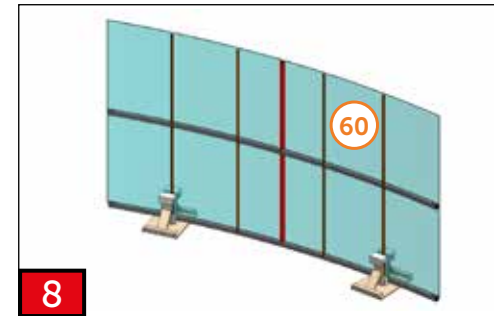
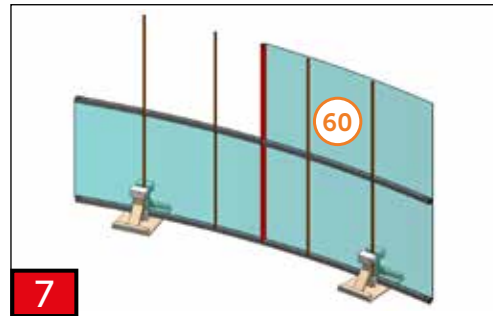
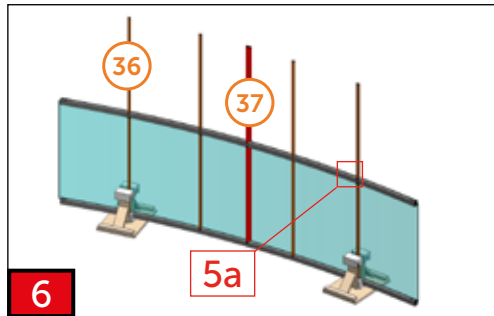
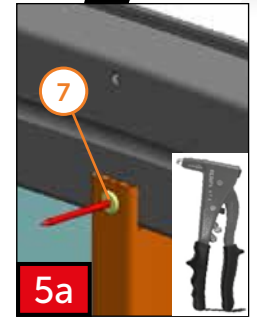
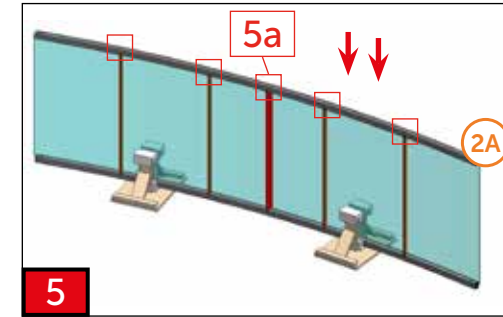
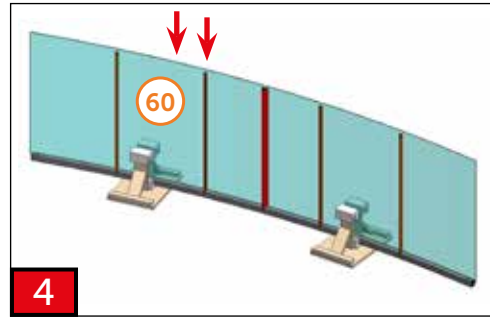
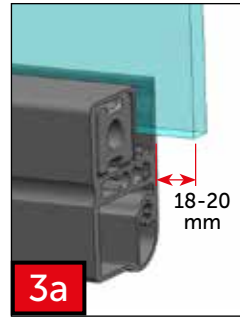
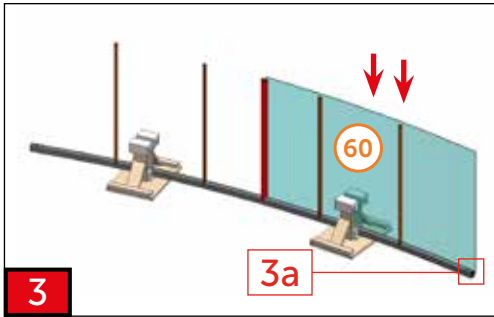
 MODULA

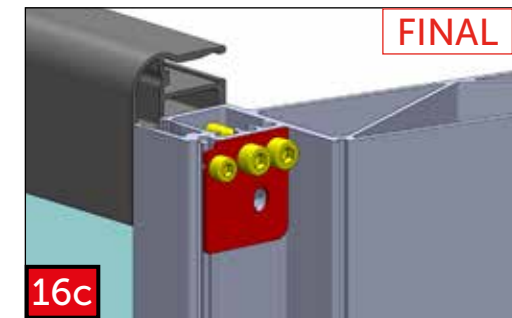
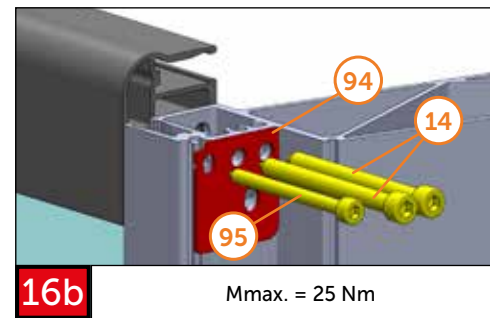
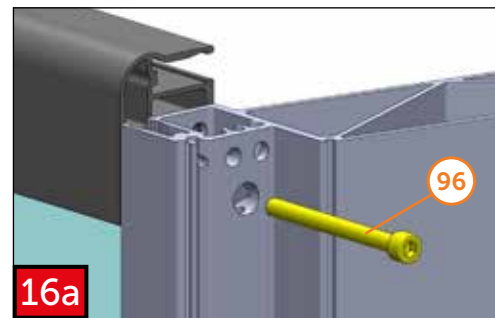
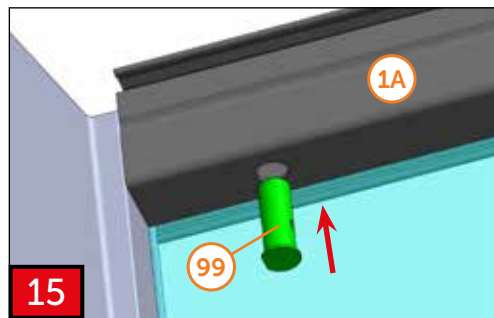
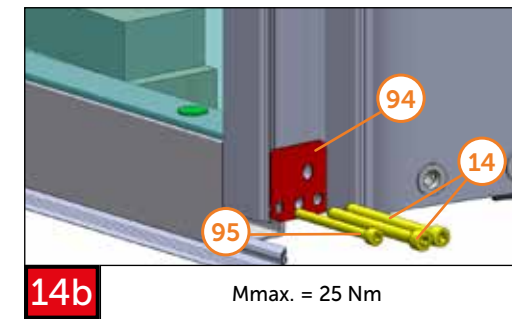
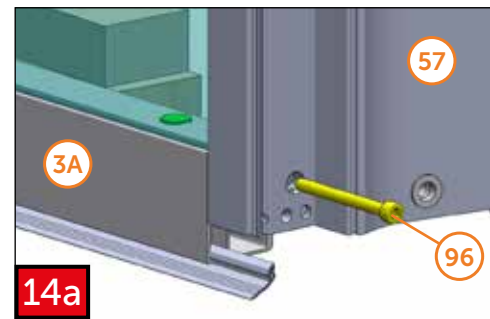
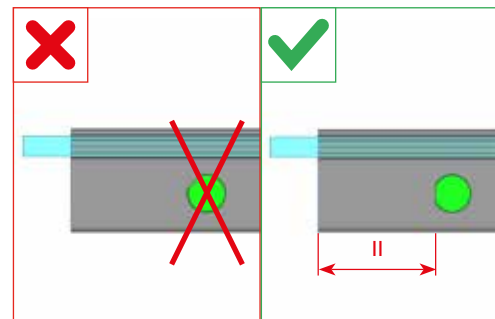
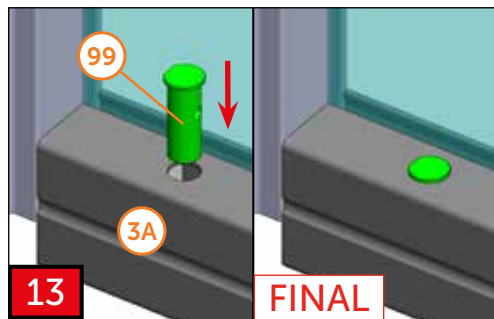
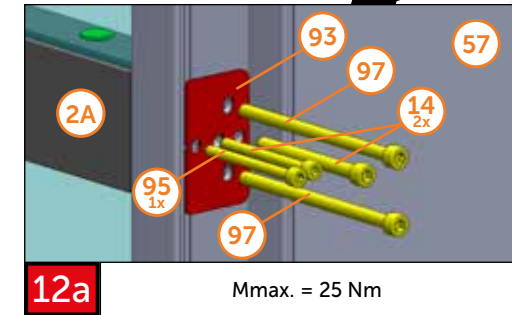
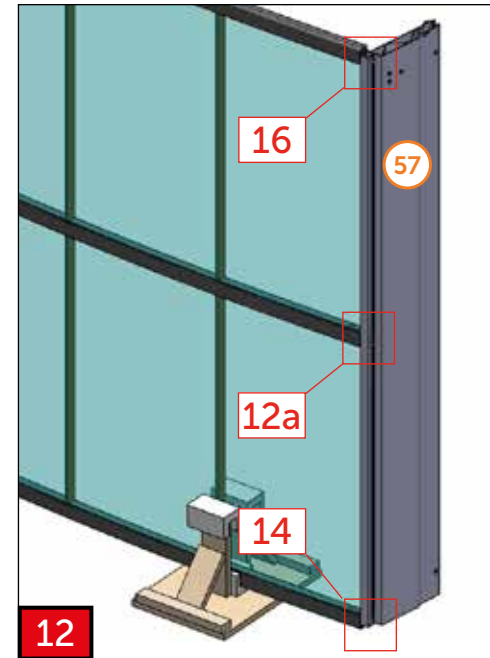
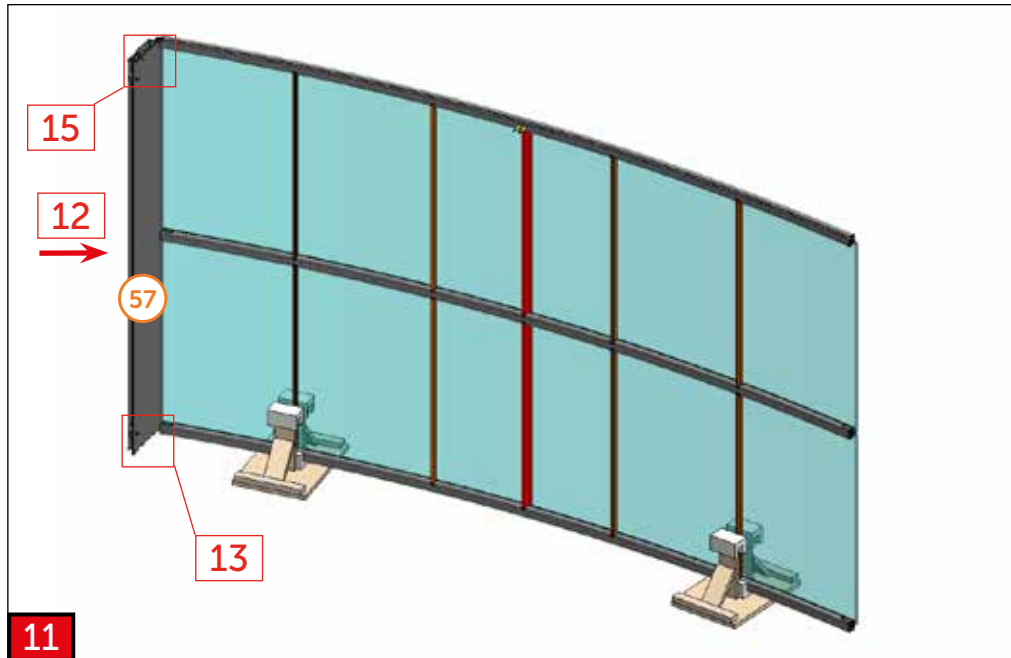
Pomocný držák pro montáž modulu
Auxiliary holder for the assembly of module
Zusätzliche Halterung für die Modulmontage
Support auxiliaire pour l'assemblage du module
Вспомогательный держатель для сборки модуля

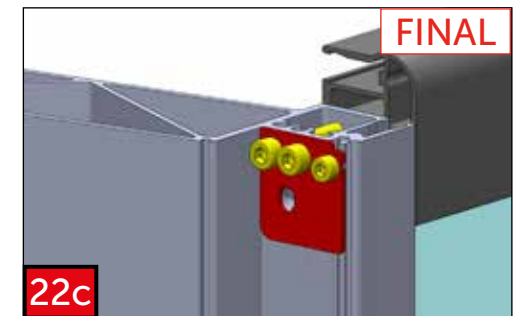
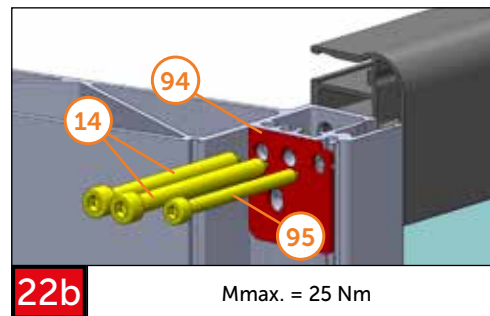
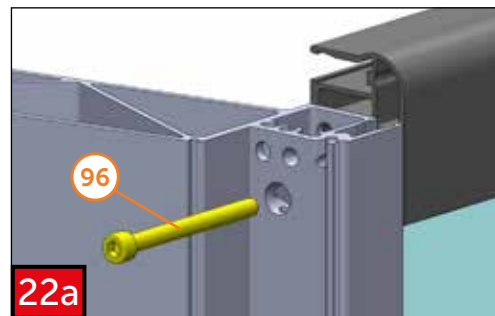
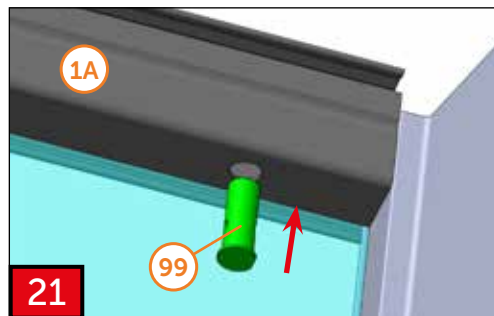
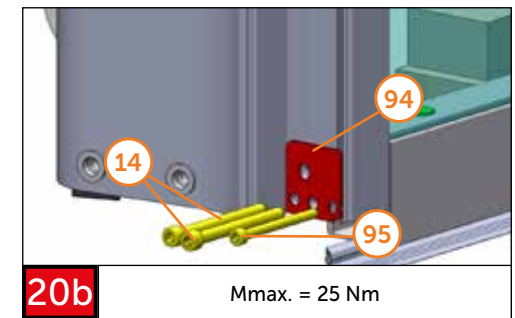
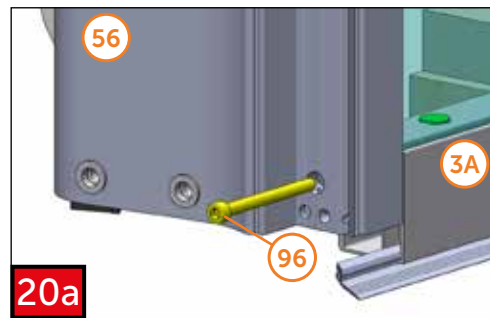
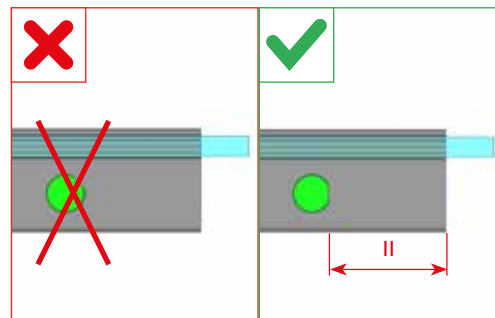
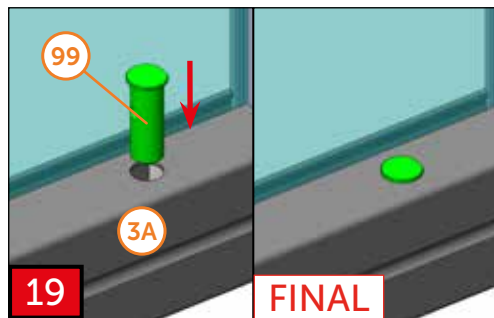
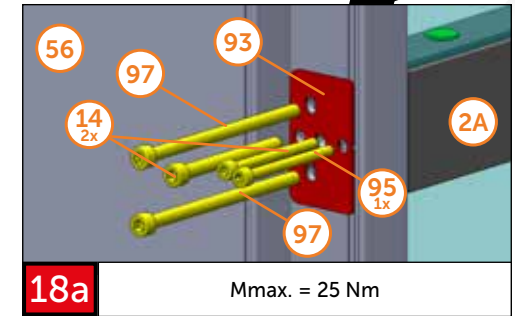
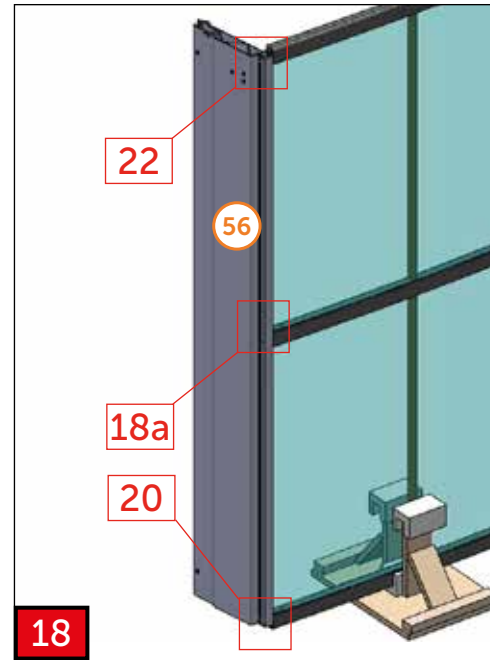
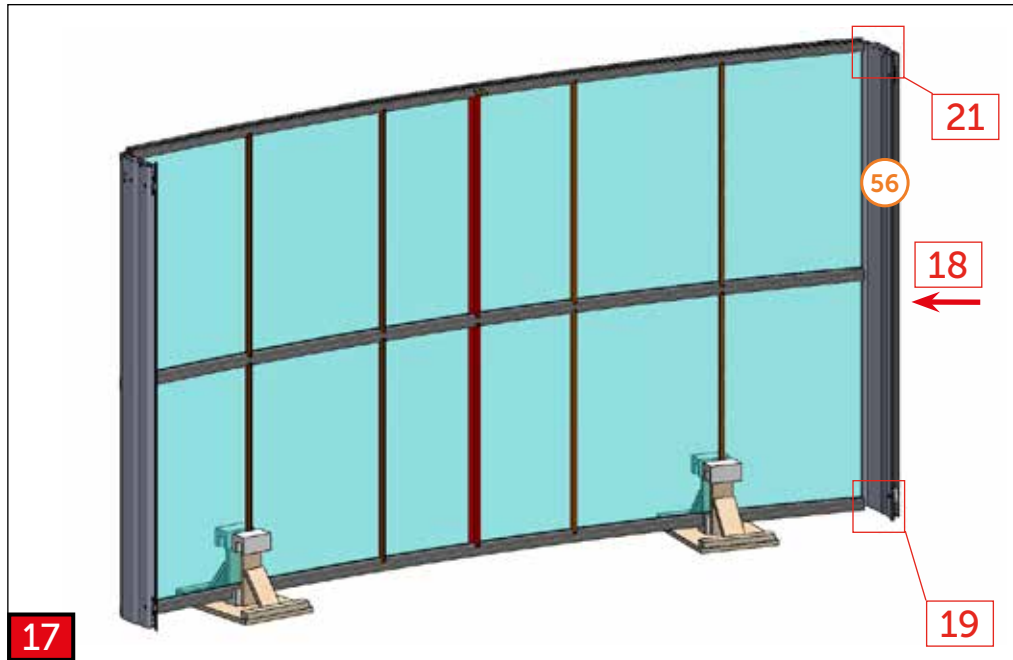


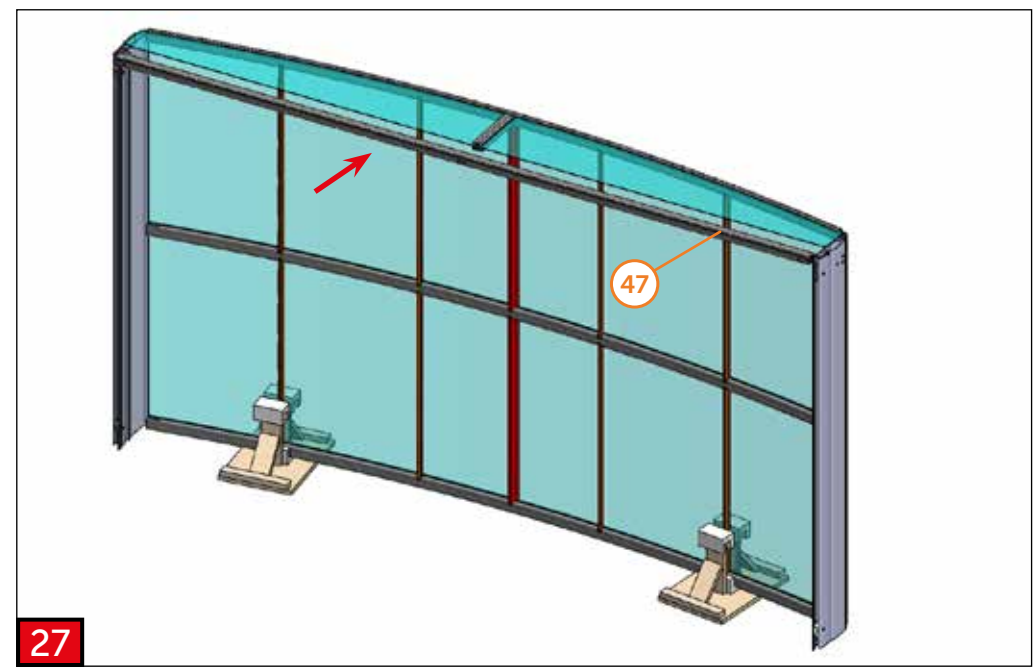
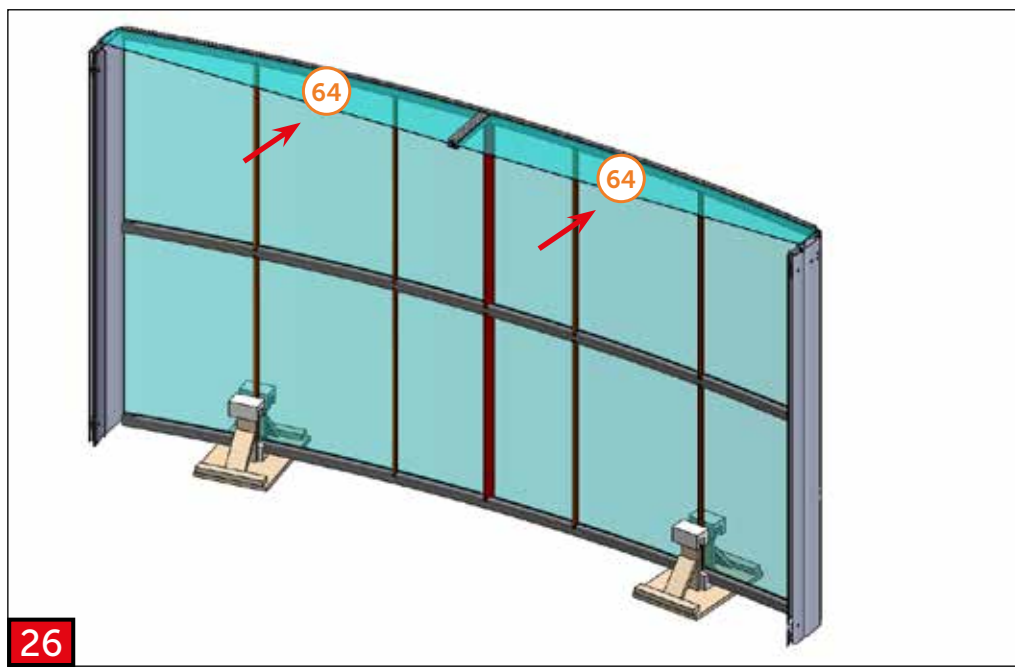
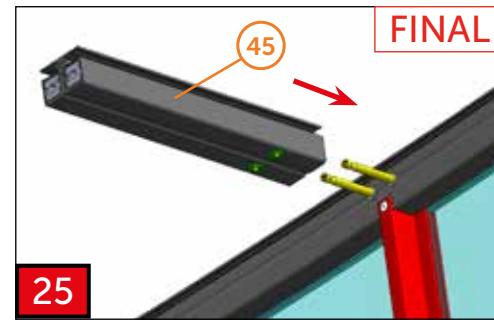
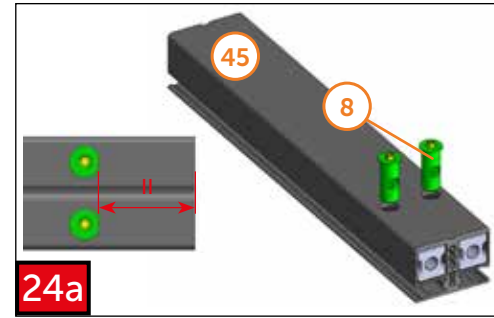
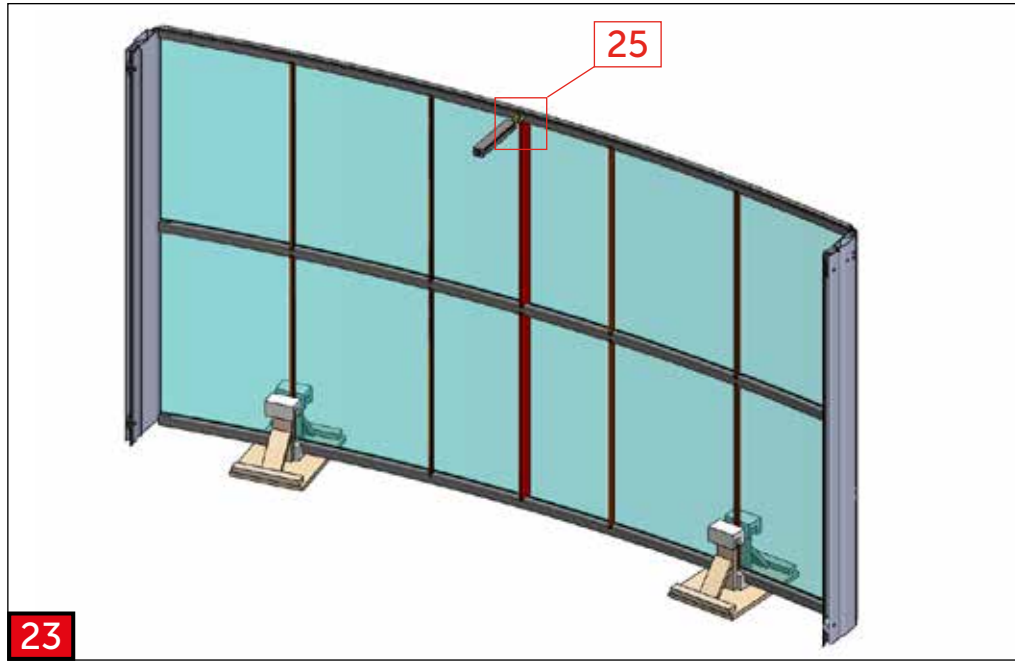
Nutné zajistit modul proti překlopení. Doporučujeme vyrobit držák z balení (prkna + výložky) nebo zajistit jiným způsobem.
 The module must be secured against falling. We recommend that you make a holder from the transport box (boards + foam liner) or that you secure the module in other safe way.
 Das Modul muss gegen Umkippen gesichert werden. Wir empfehlen, einen Halter aus der Verpackung (Bretter + Liner) zu machen oder das Modul auf andere Weise zu sichern.
 Il est nécessaire d'assurer le module contre son renversement. Nous recommandons de fabriquer le support de l'emballage (les planches + les parements) ou de l'assurer autrement.
 Необходимо обезопасить модуль от опрокидывания. Мы рекомендуем сделать держатель из упаковки (доски + вкладыши) или закрепить его другим способом.

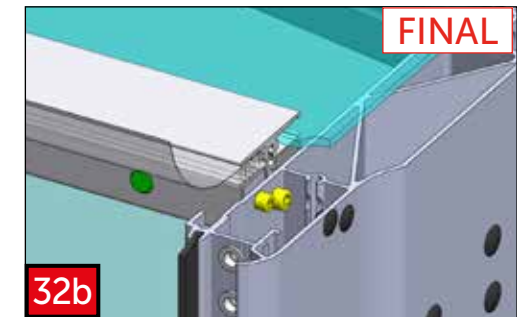
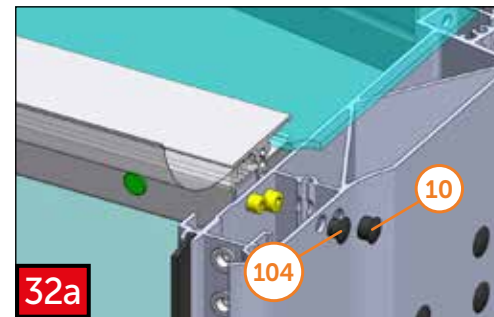
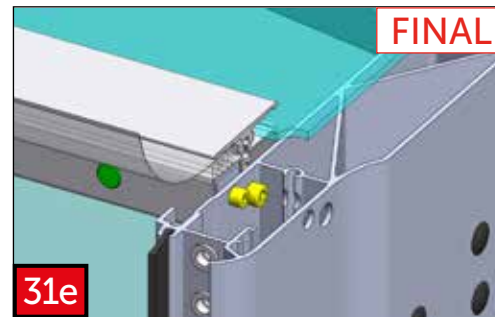
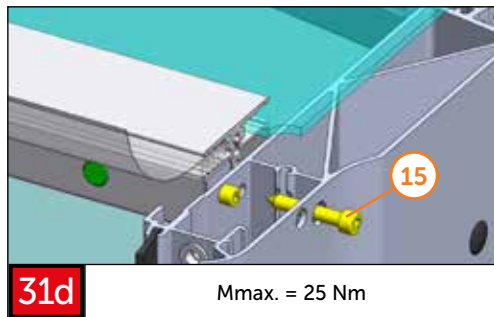
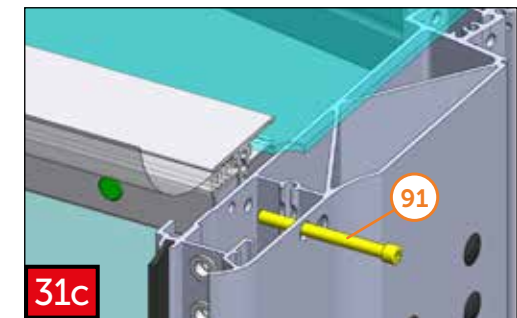
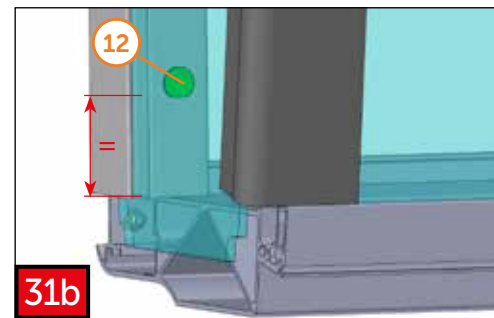
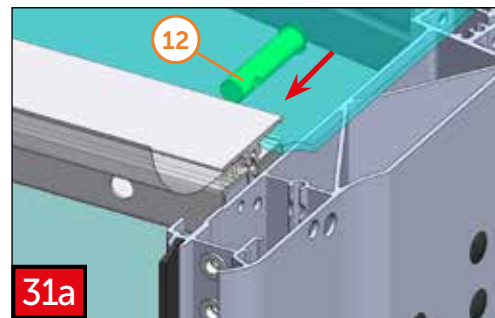
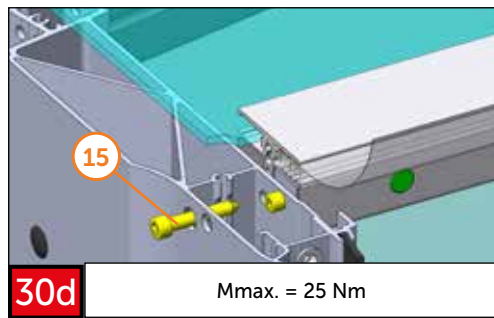
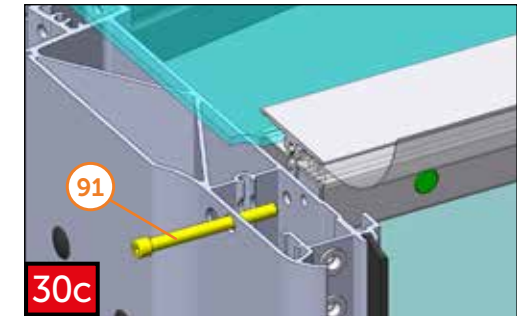
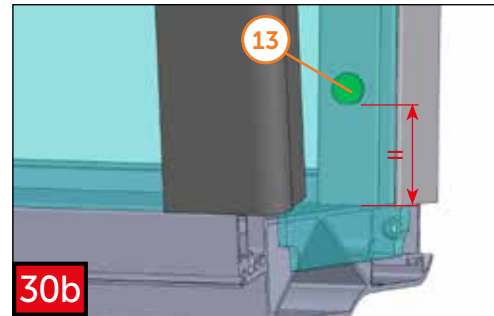
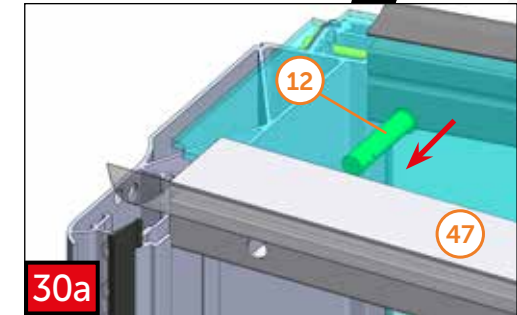
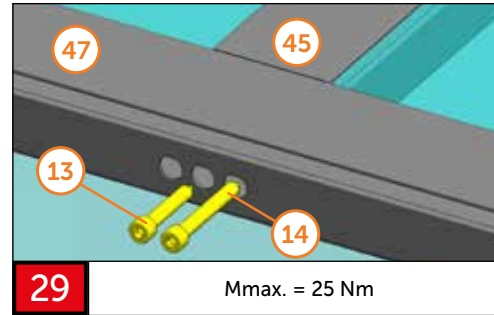
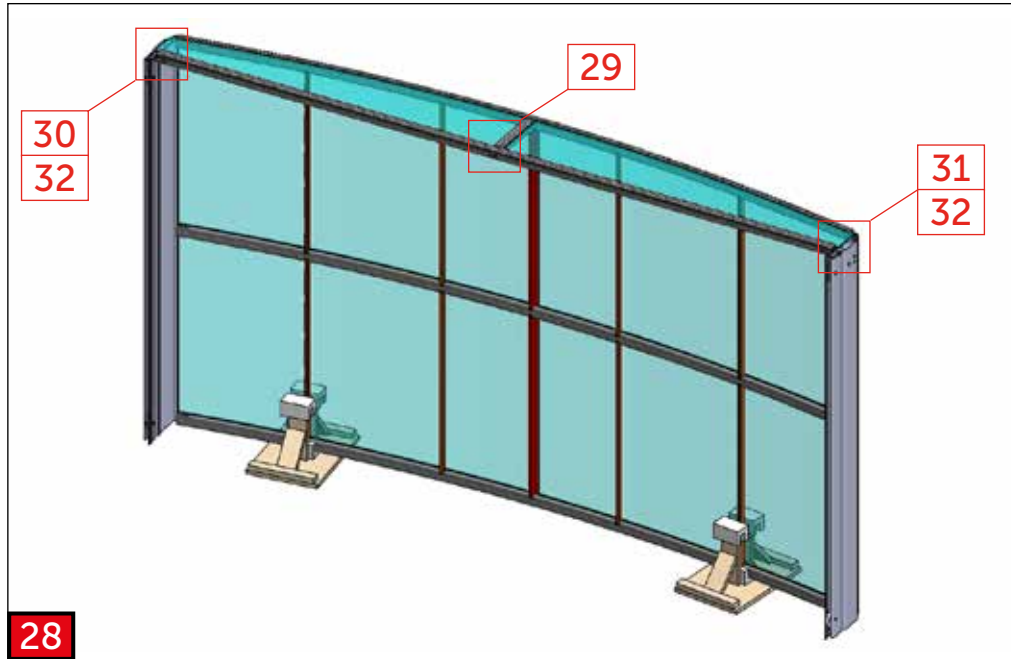




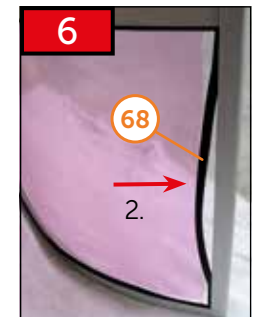
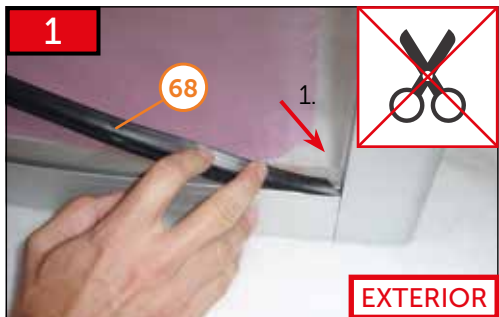
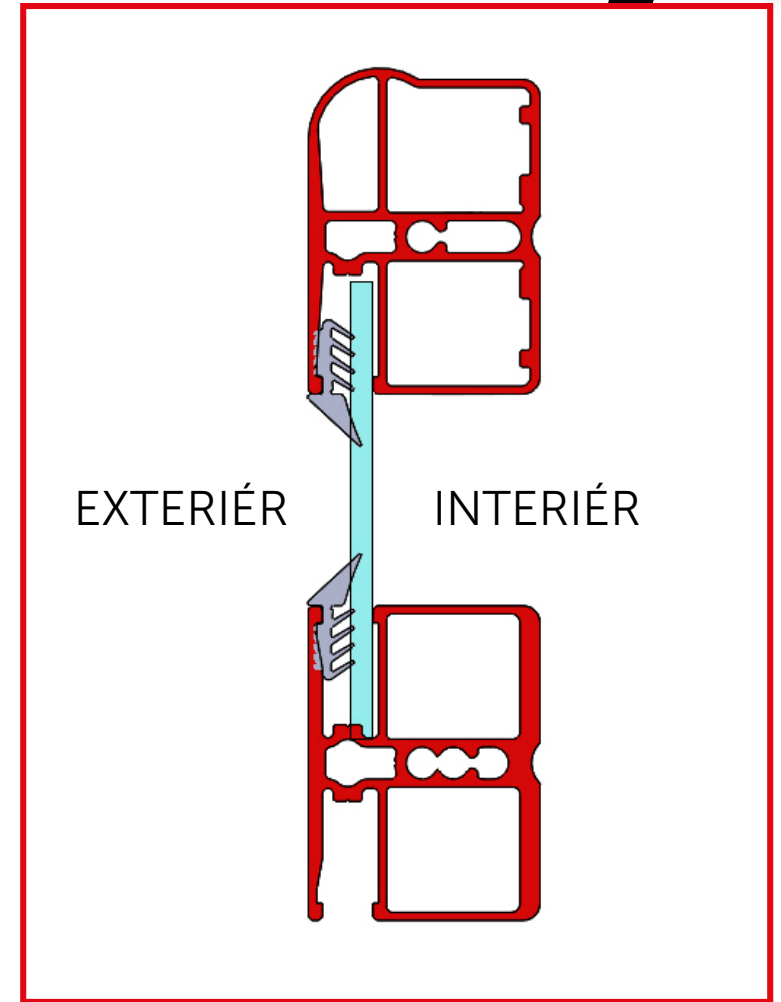
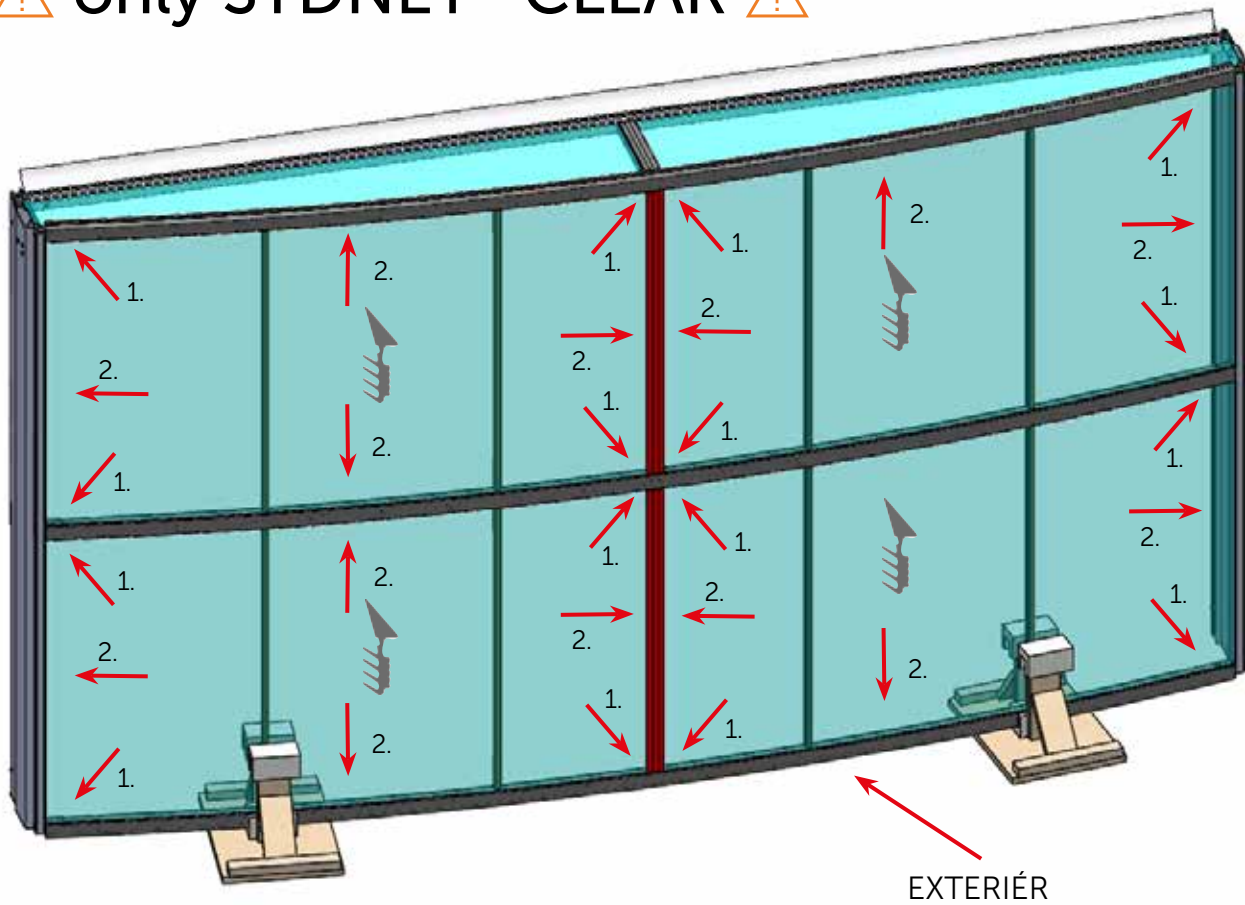


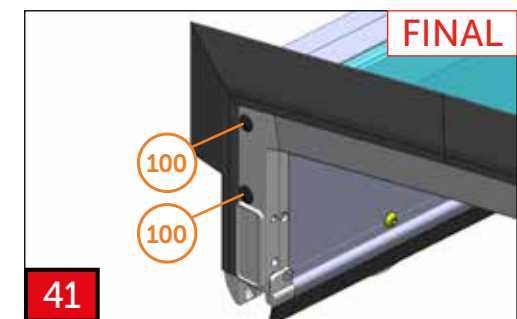
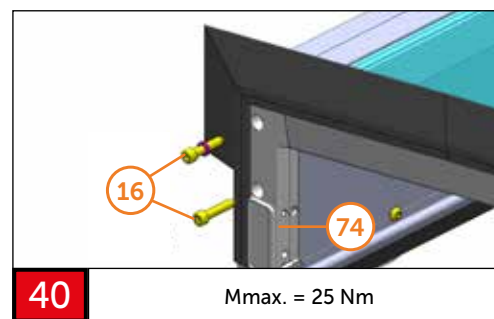
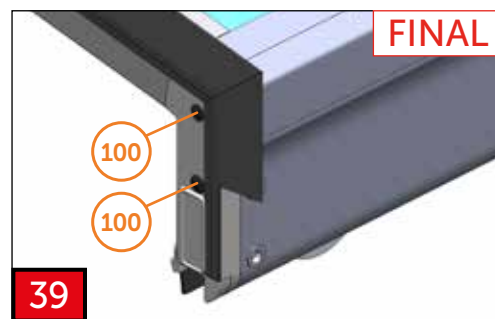
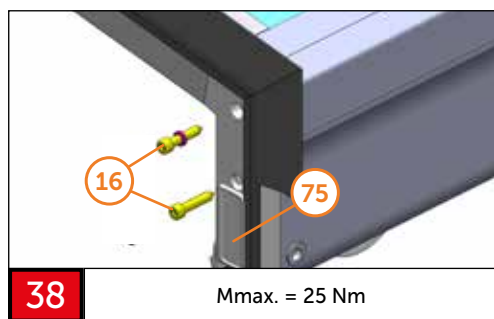
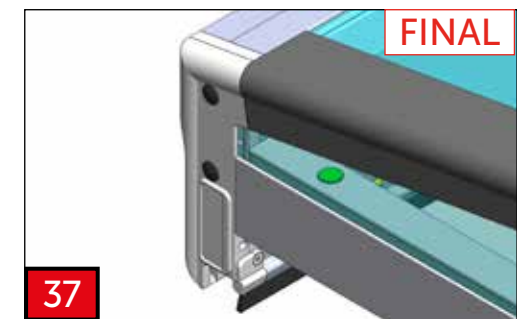
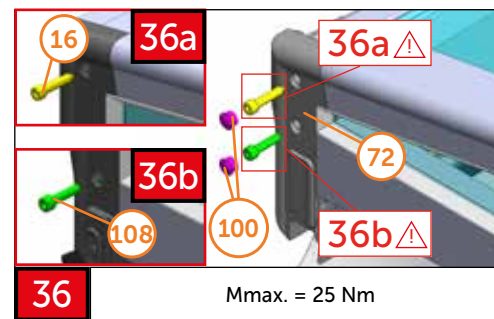
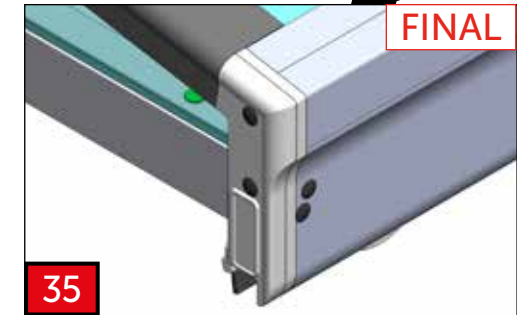
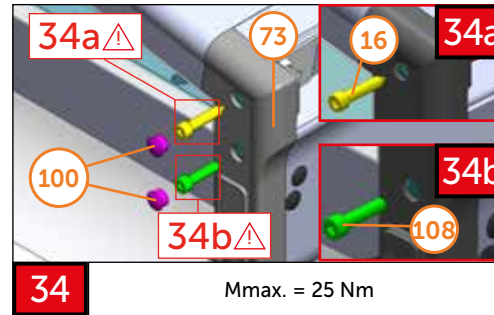
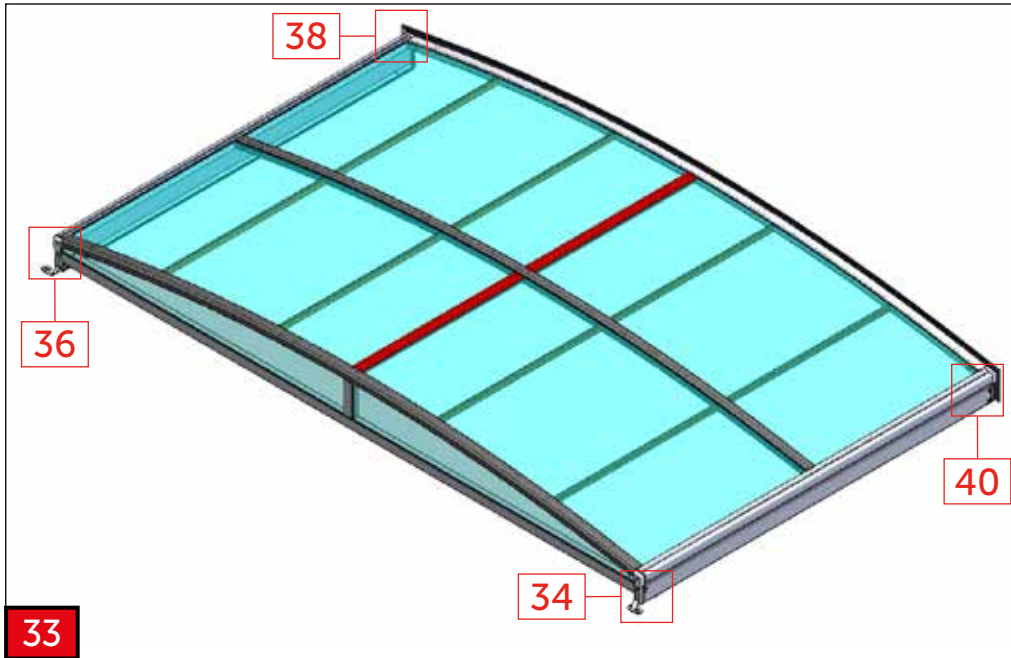


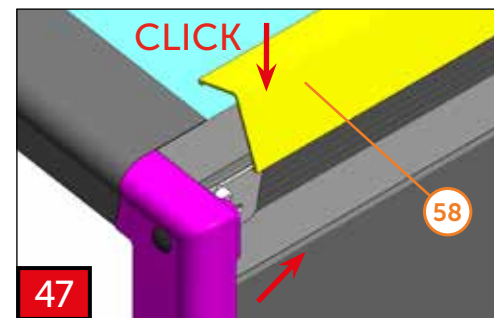
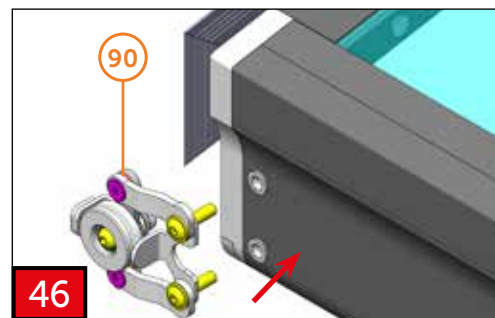
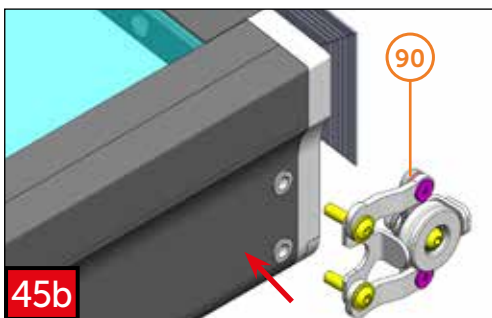
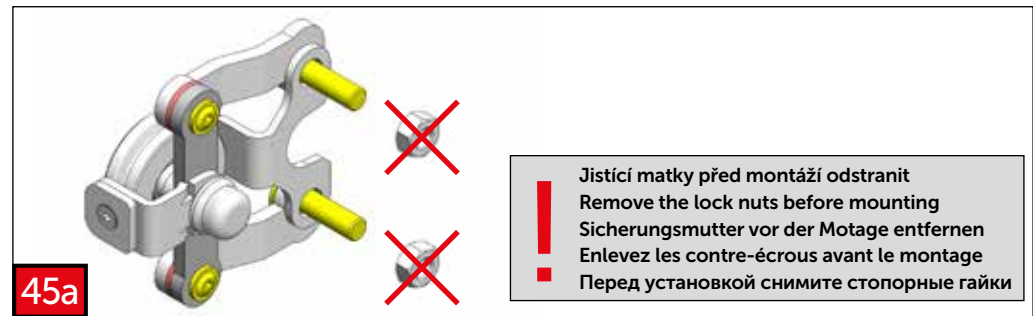
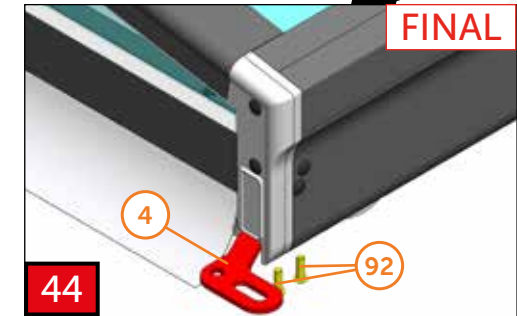
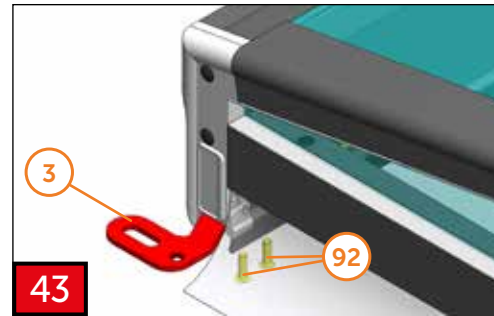
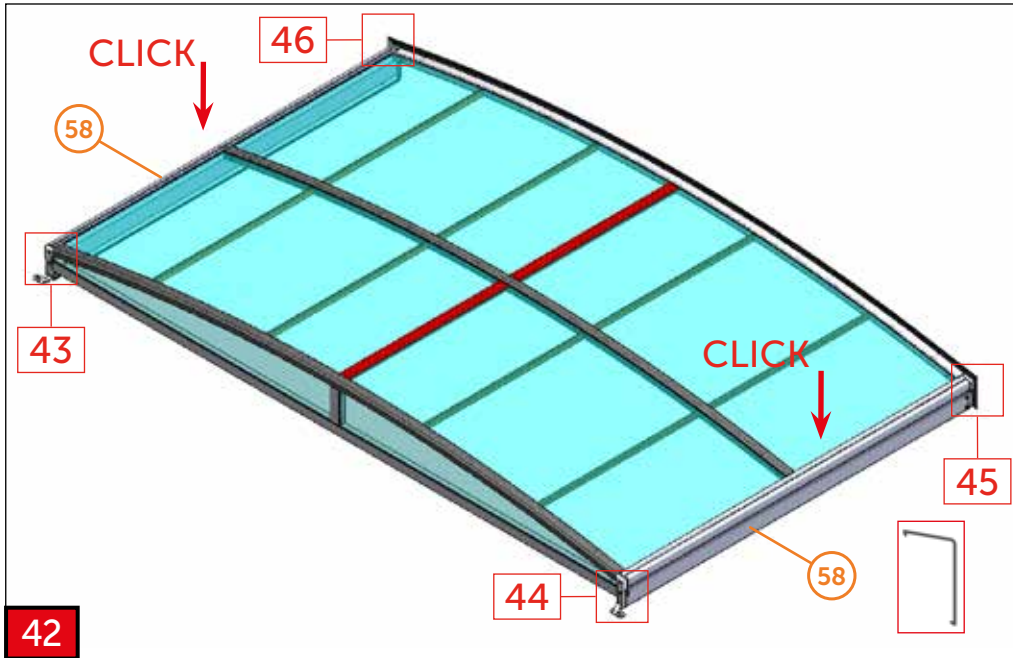




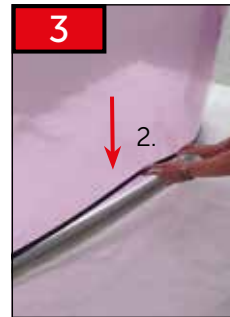
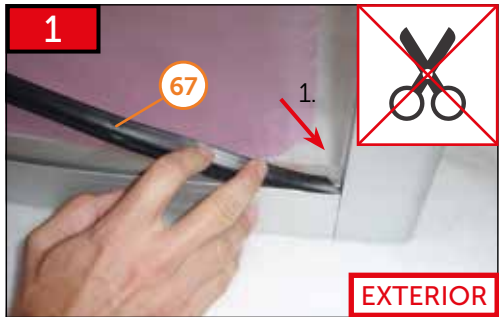
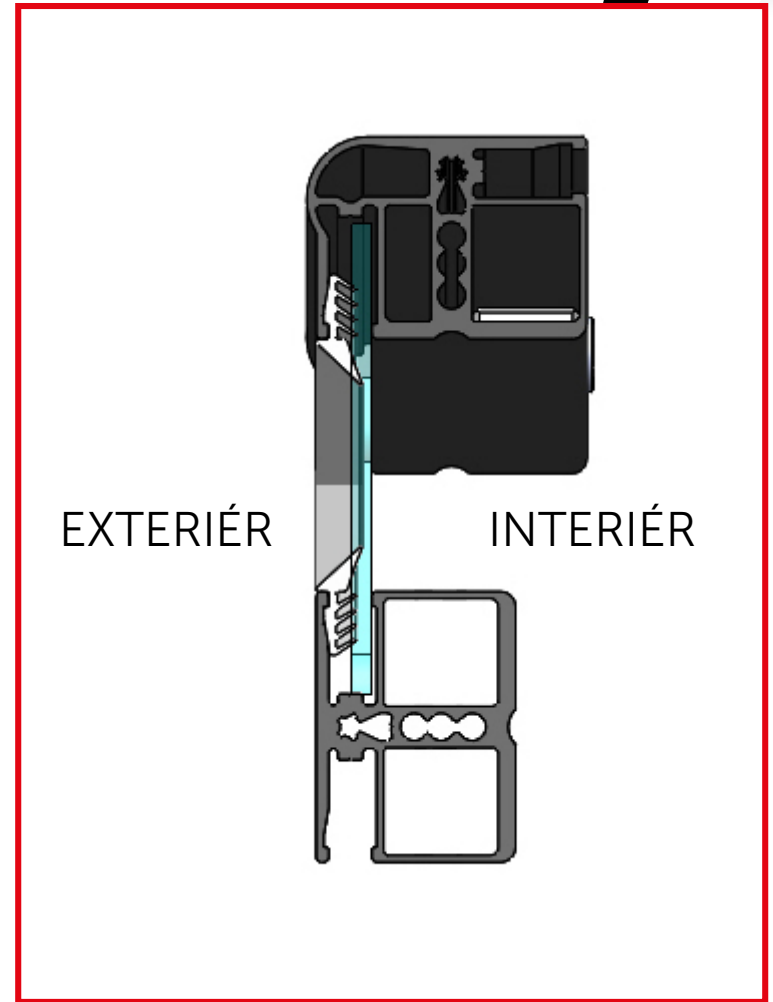
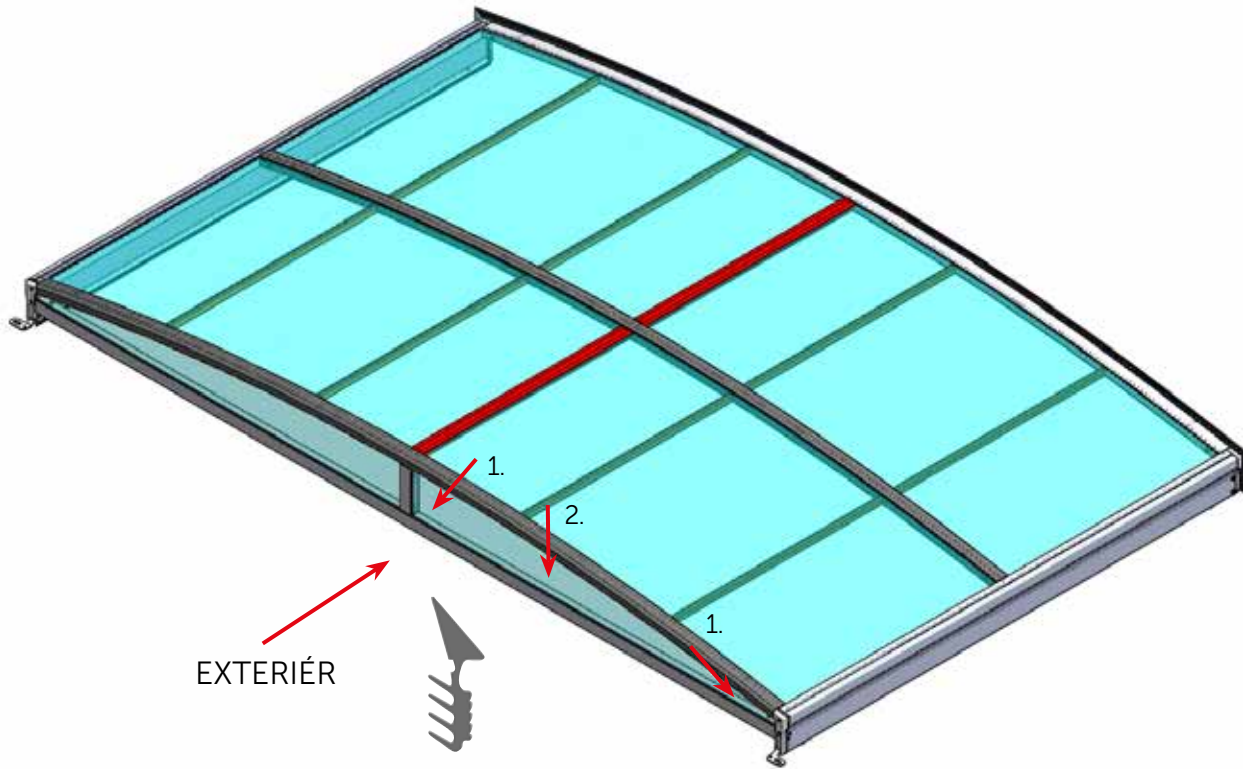
⚠ only SYDNEY CLEAR ⚠





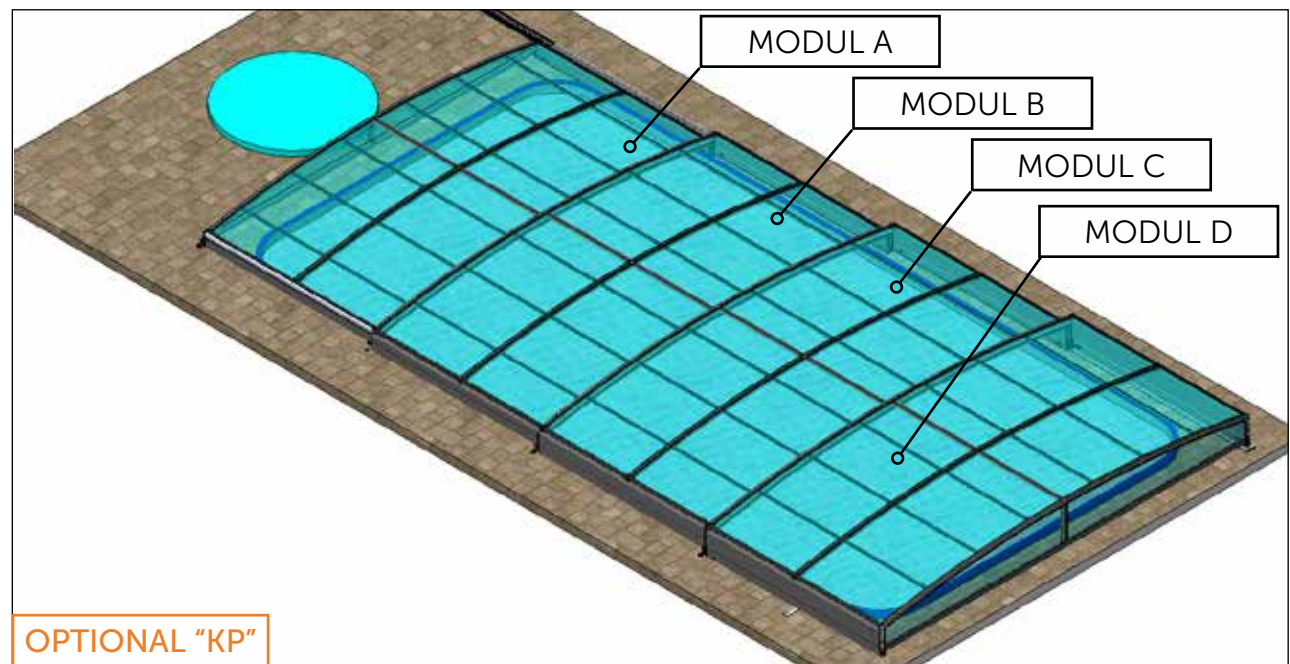
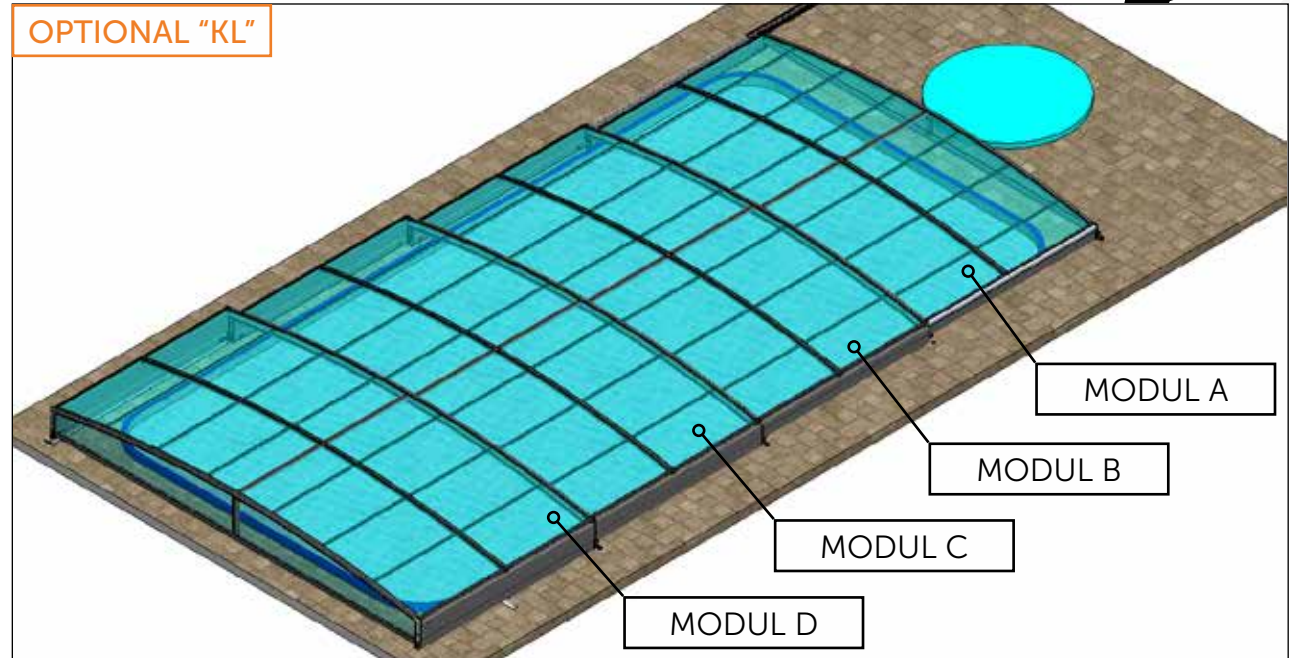


⚠ only SYDNEY CLEAR ⚠



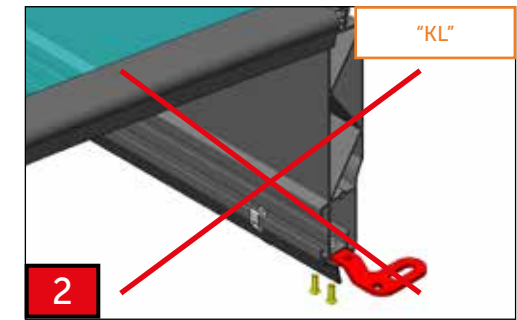
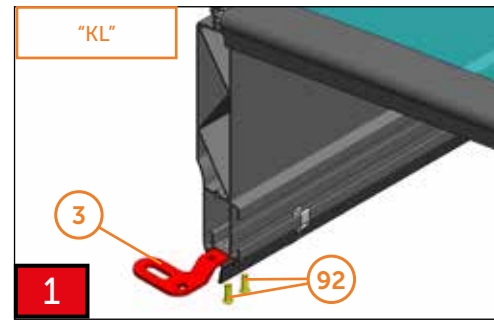
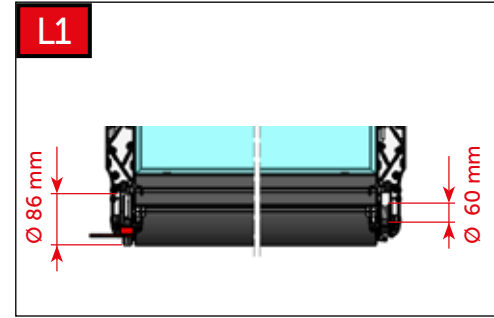
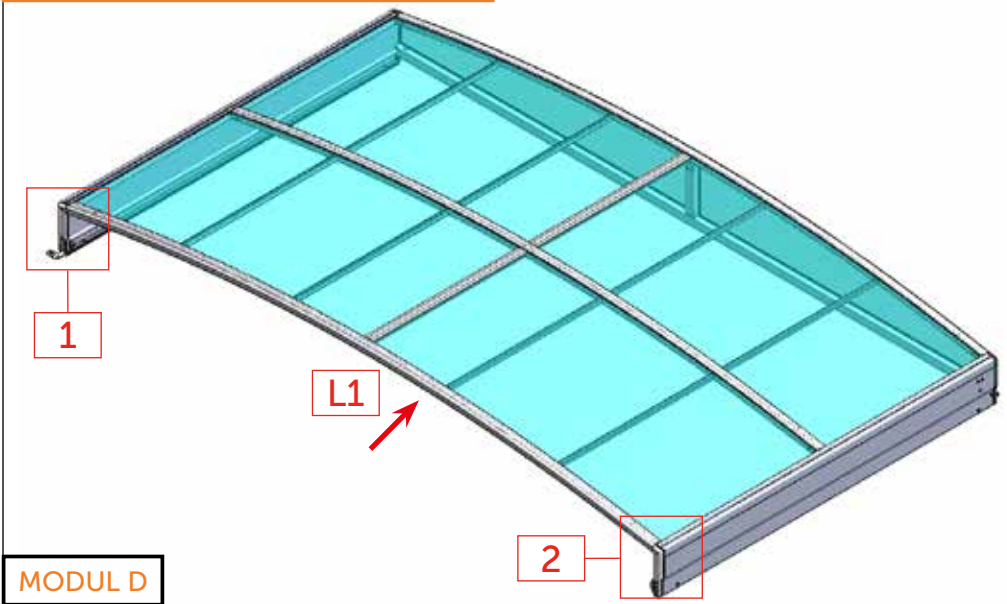
Umístění modulů na bazén
 Placing of modules on the swimming pool
 Lage der Module auf dem Pool
 Emplacement des modules au-dessus de la piscine
 Расположение модулей на бассейне

OPTIONAL "KL"

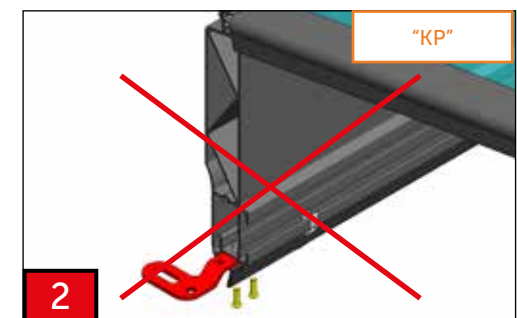
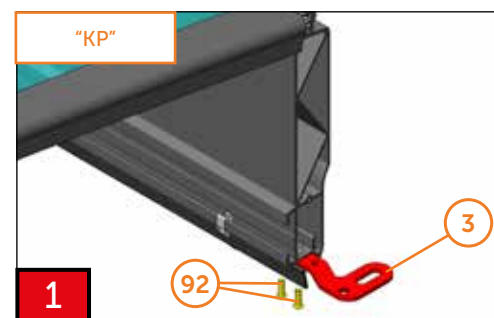
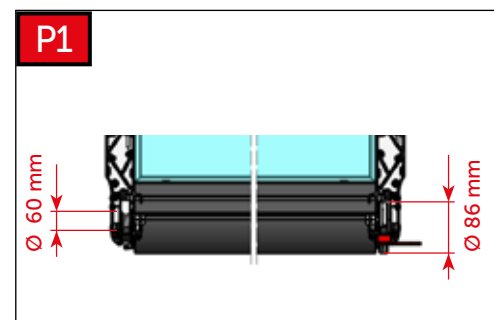
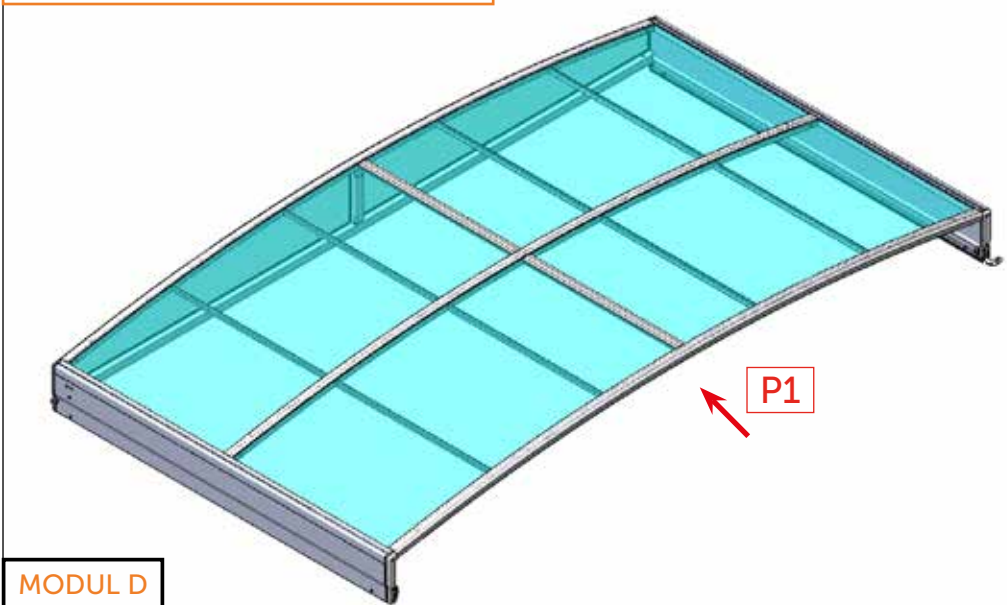


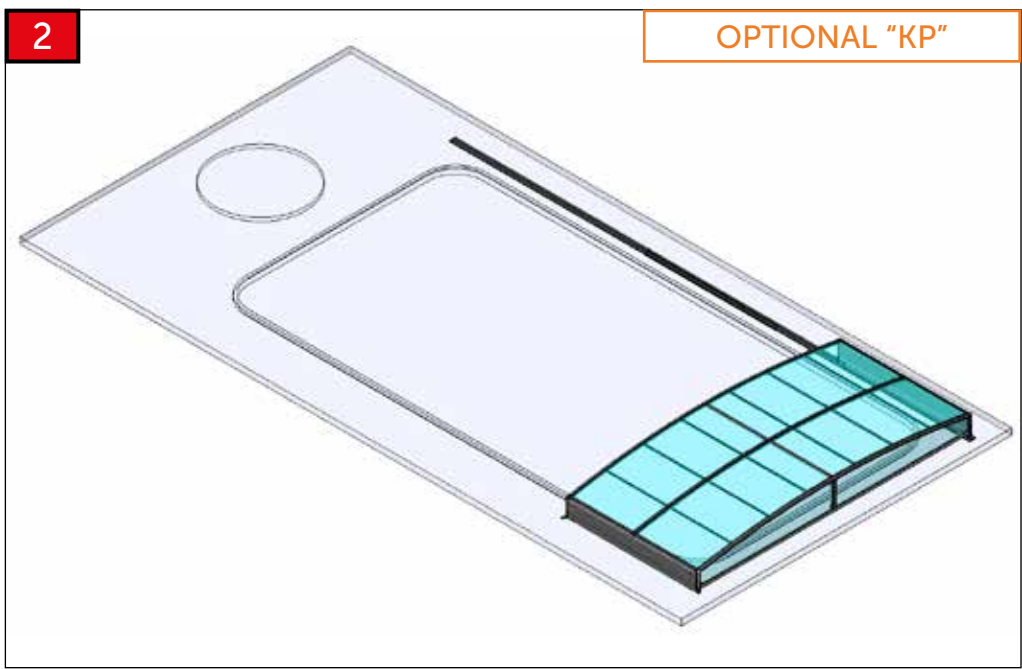
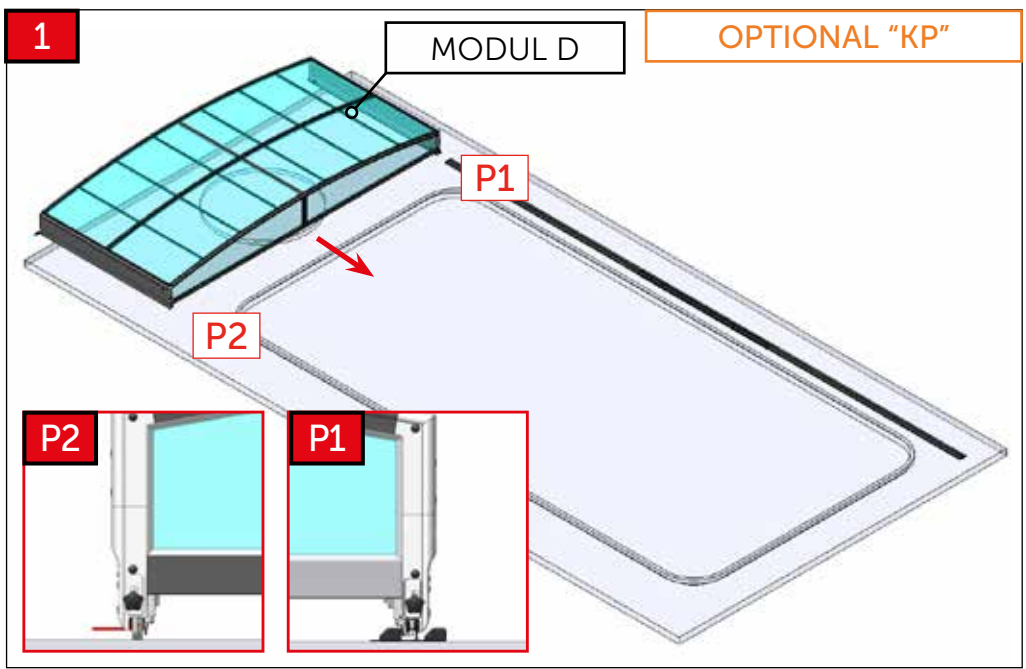
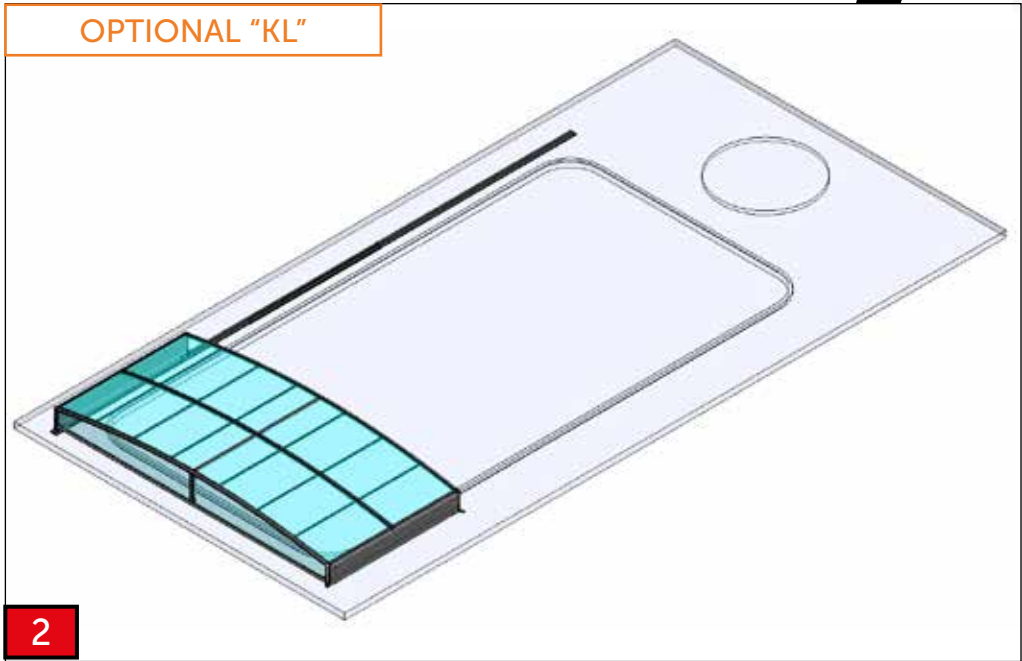
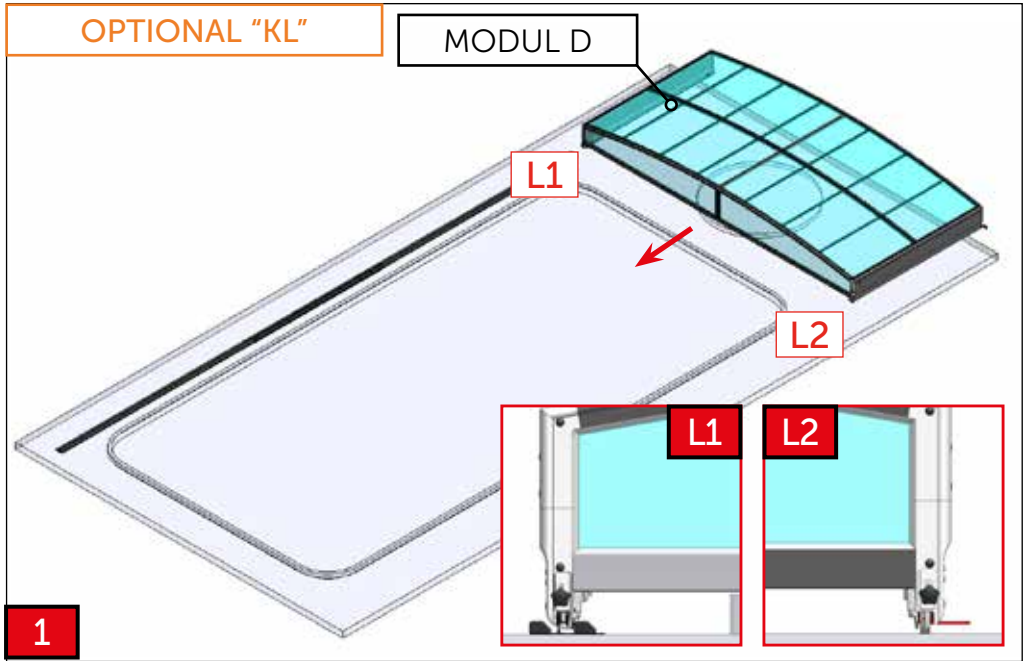
OPTIONAL "KP"

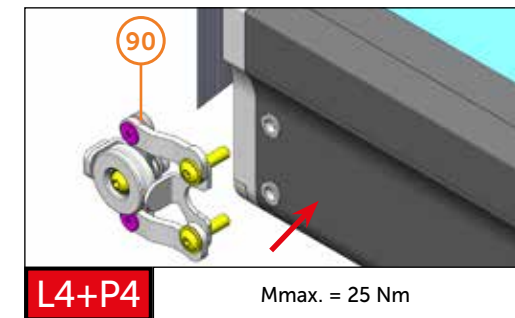
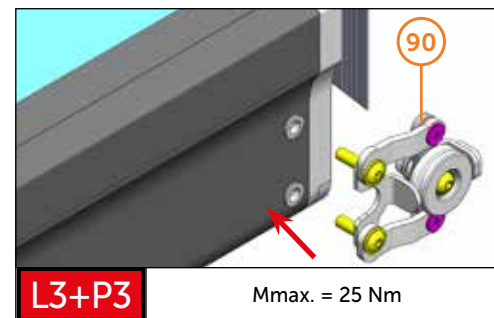
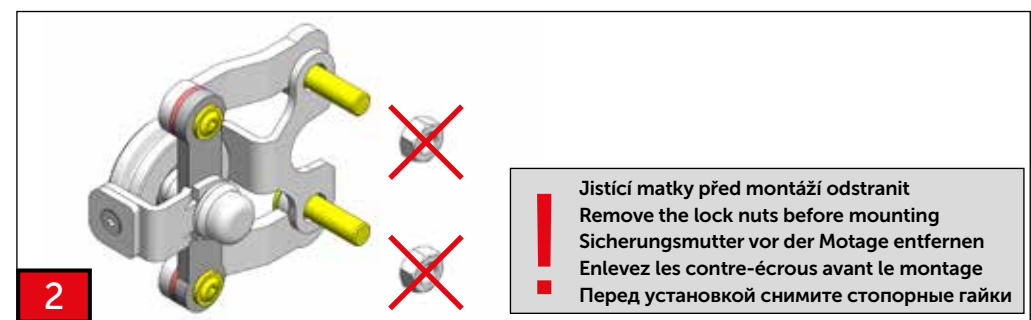
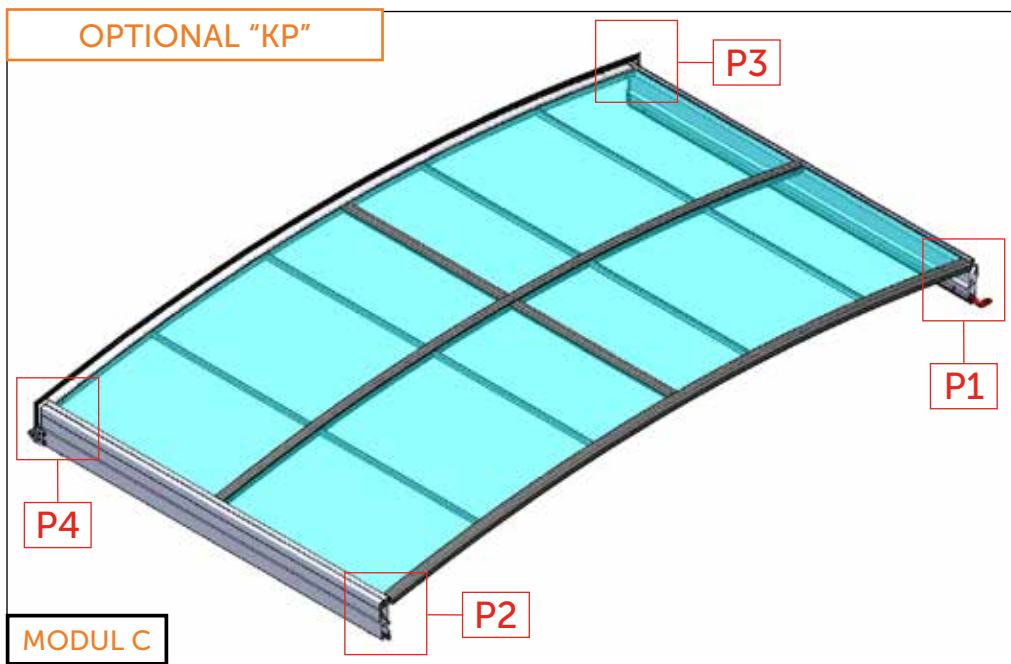
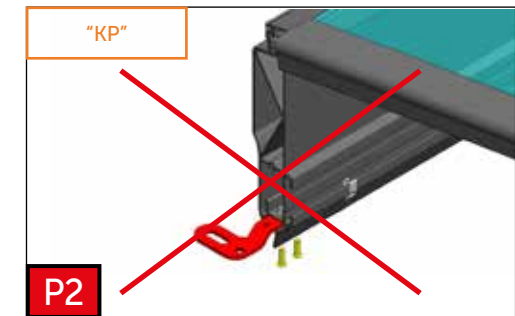
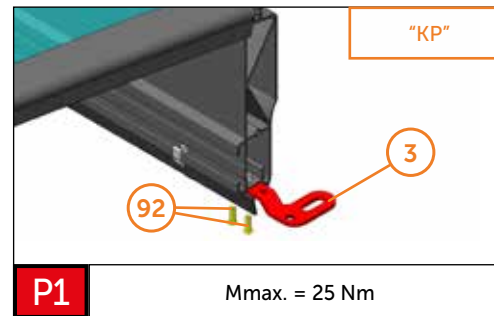
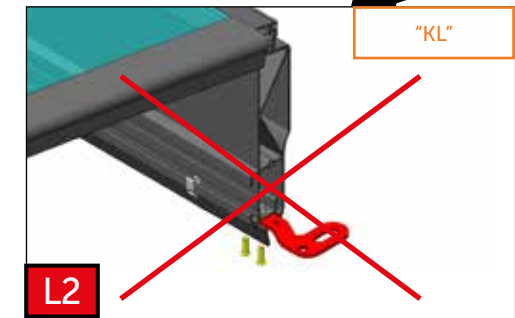
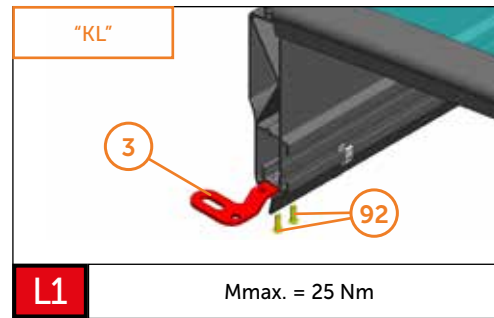
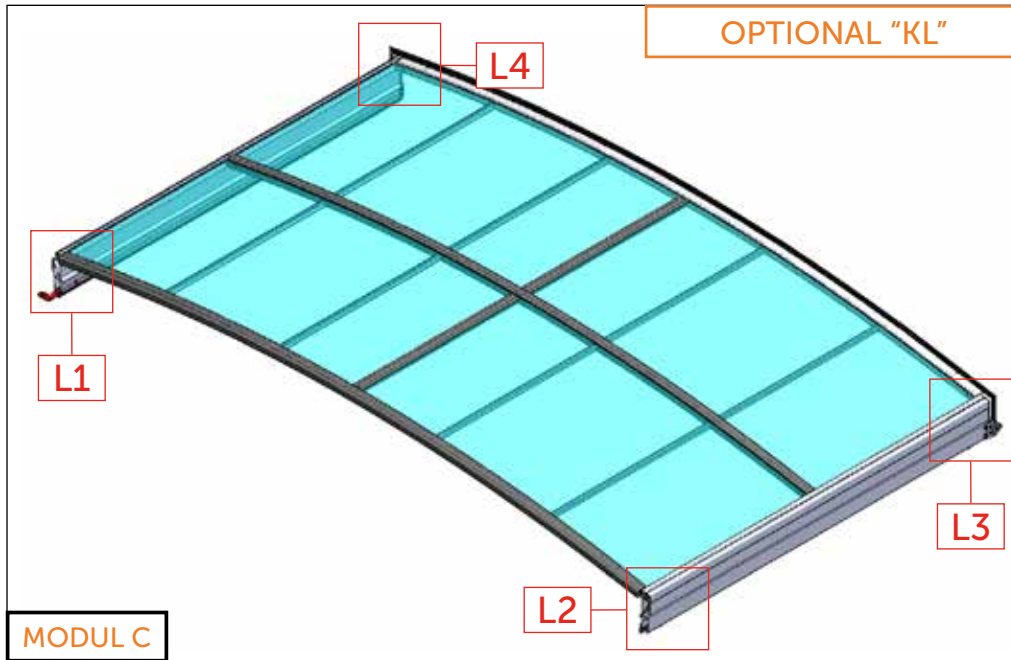
OPTIONAL "KL" - STANDARD

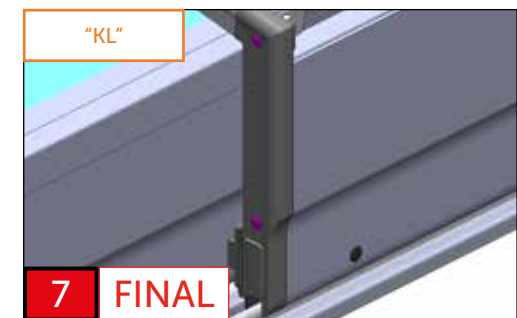
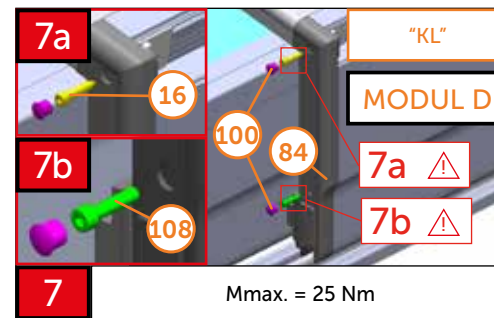
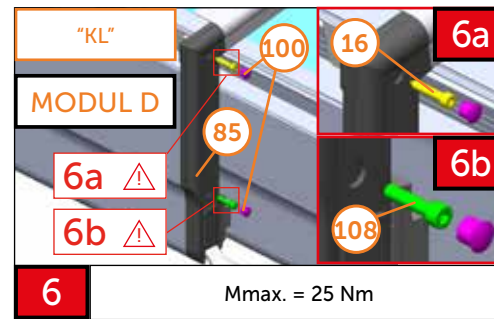
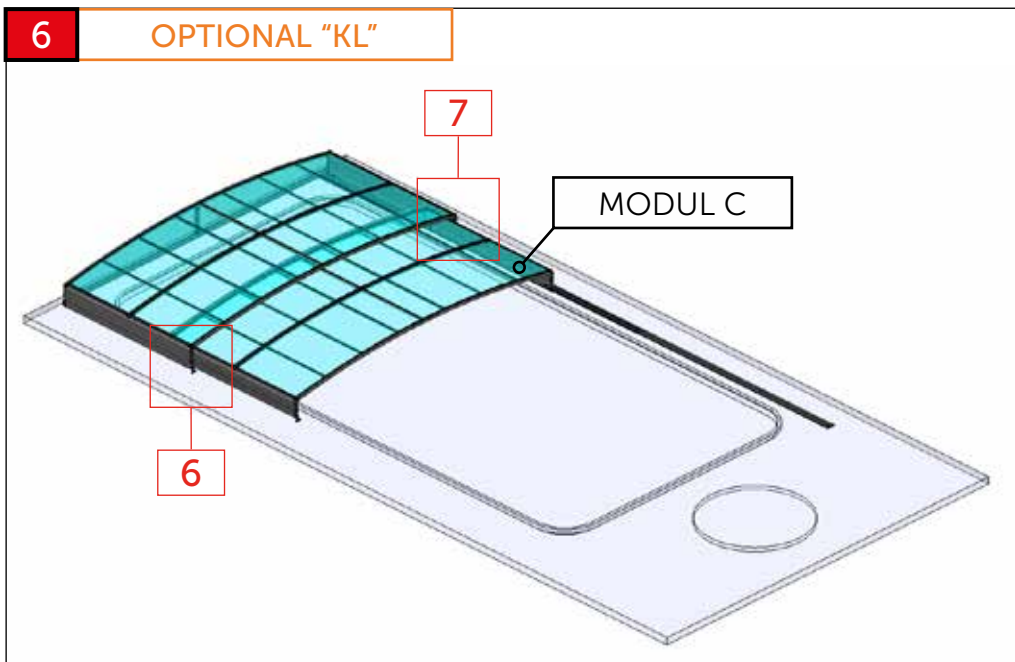
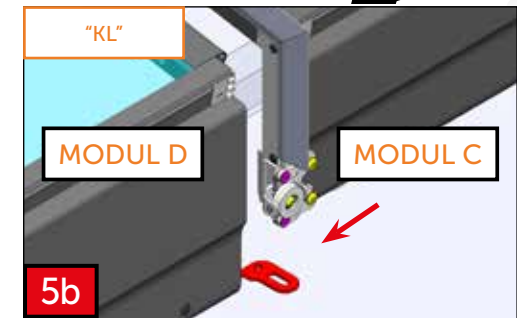
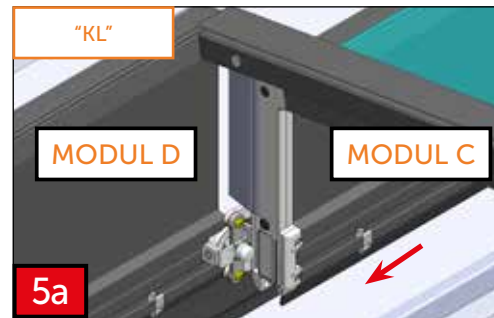
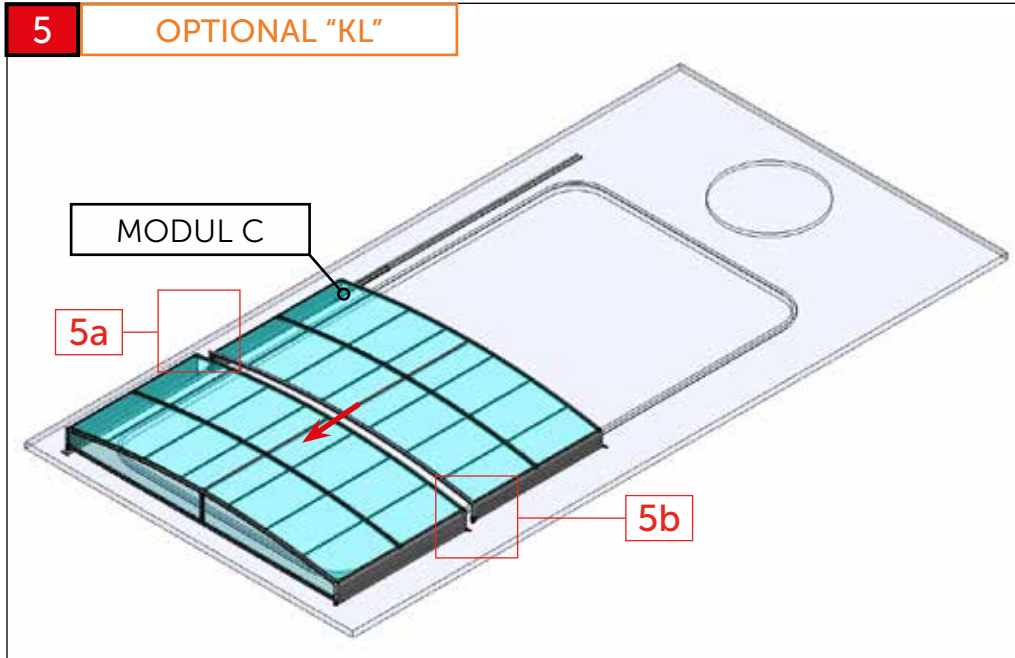


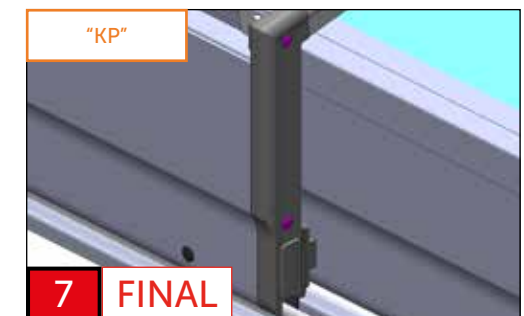
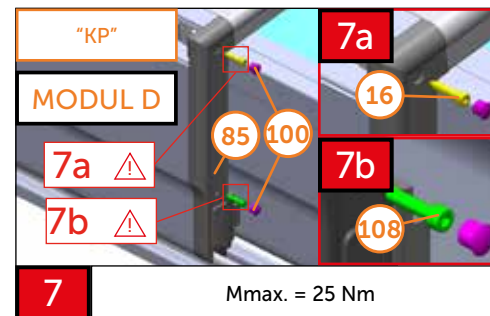
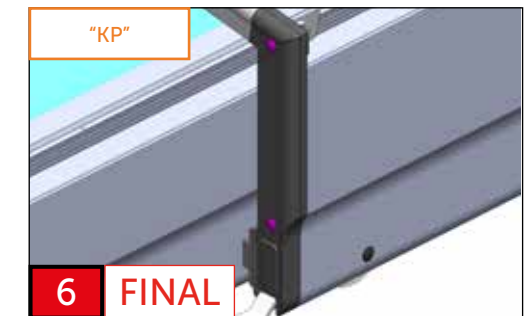
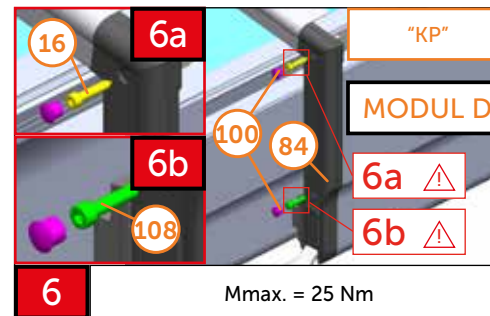
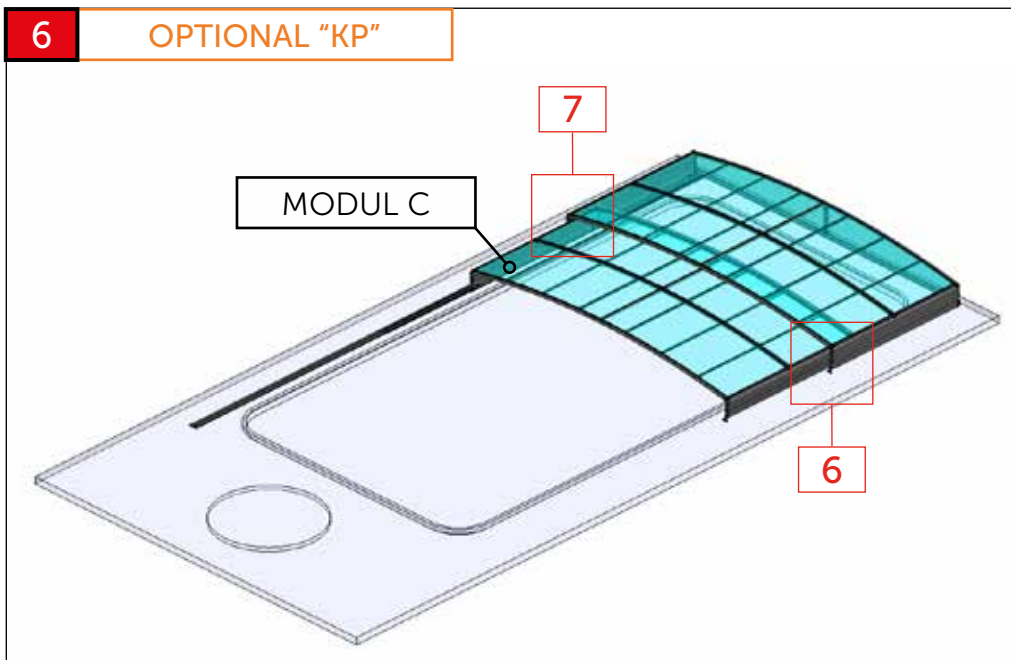
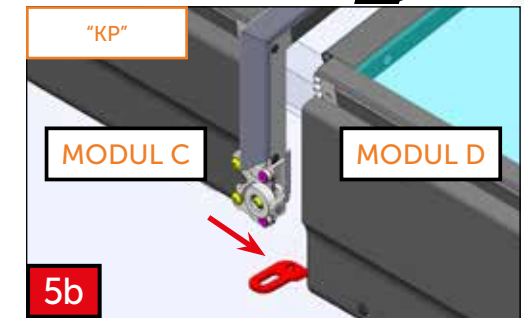
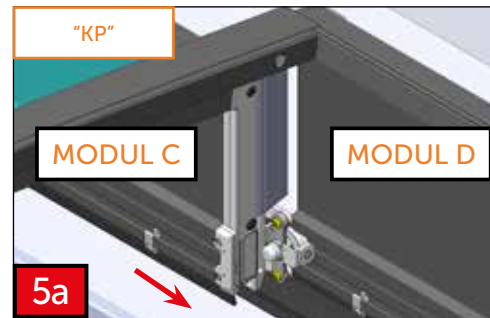
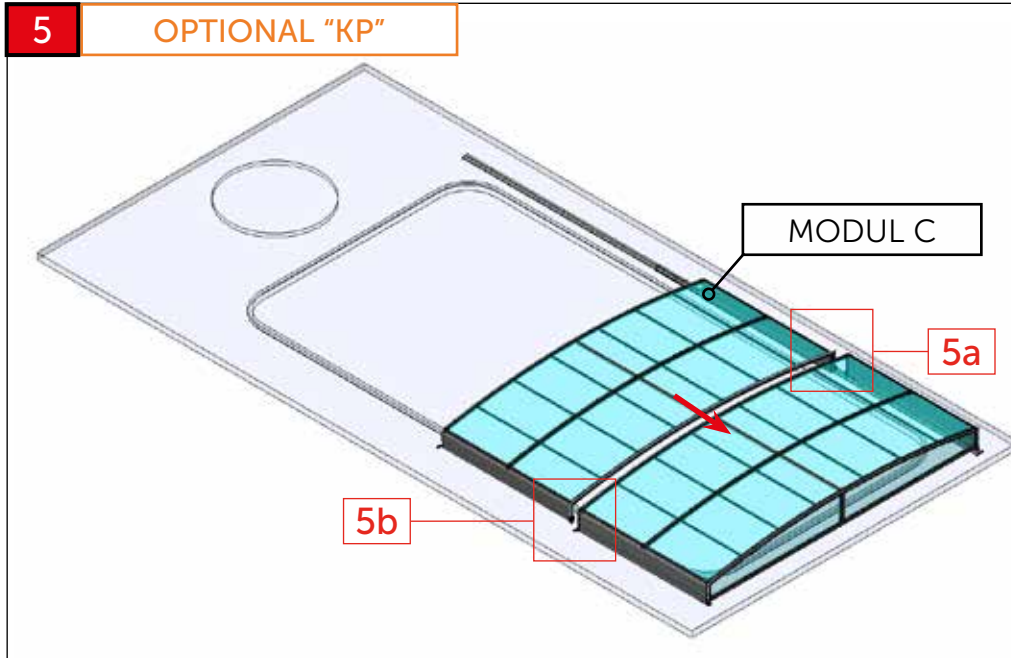
OPTIONAL "KP"

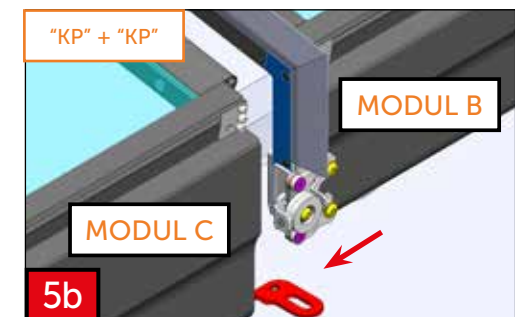
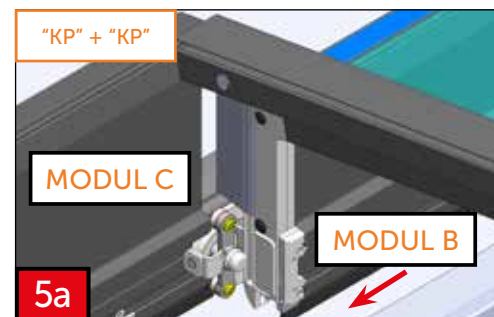
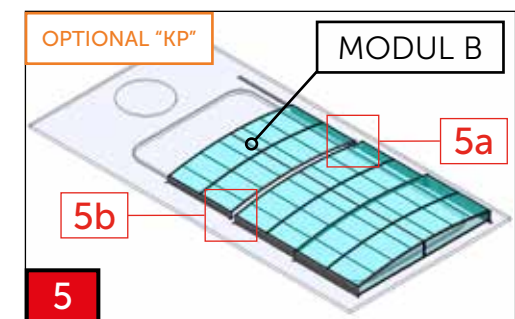
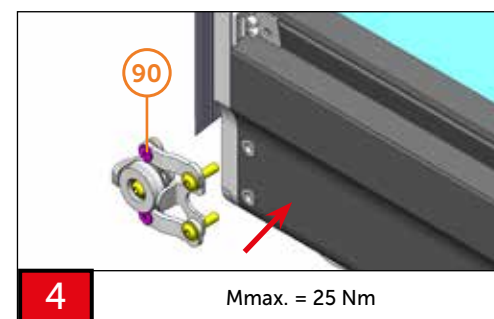
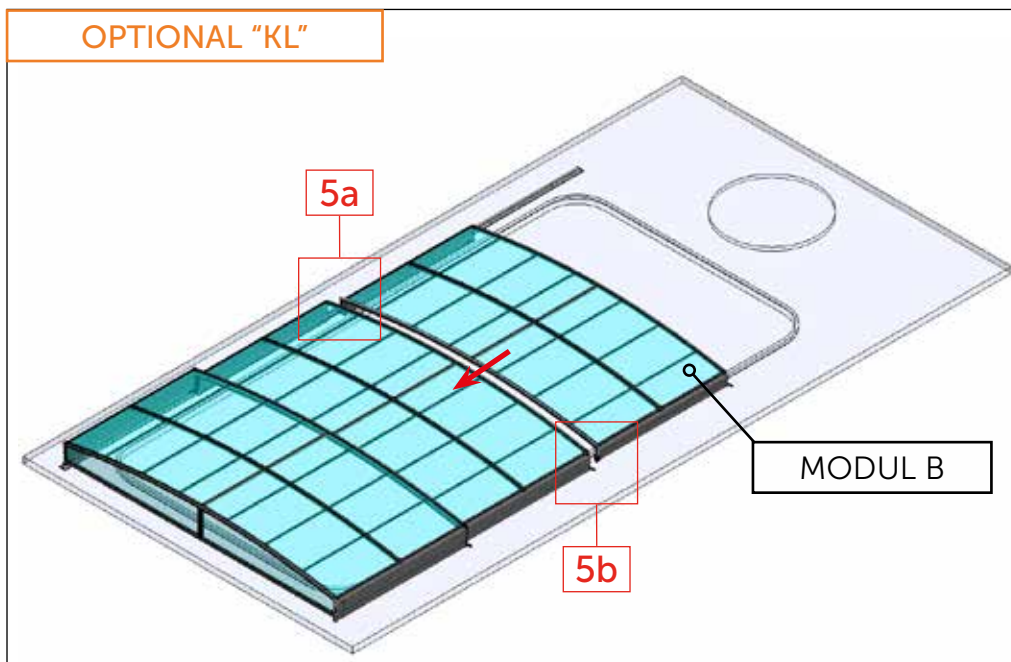
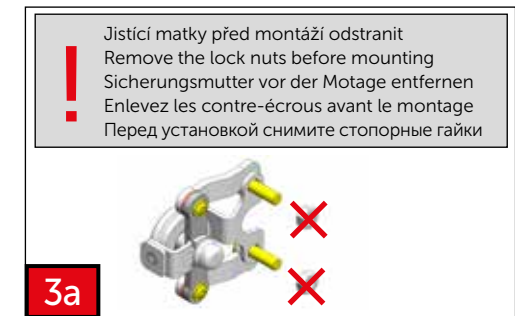
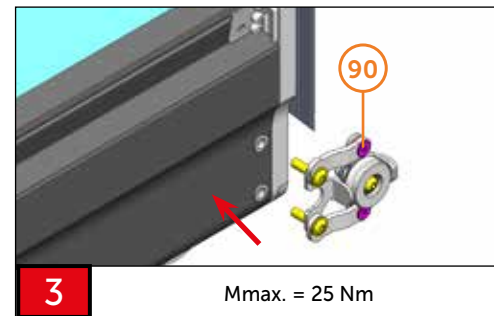
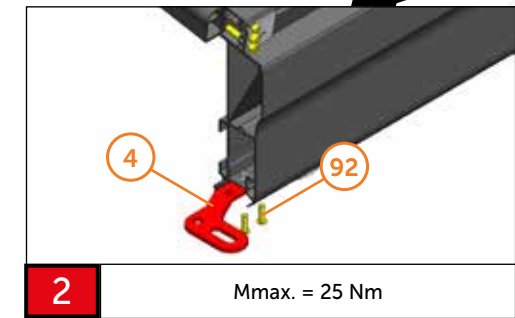
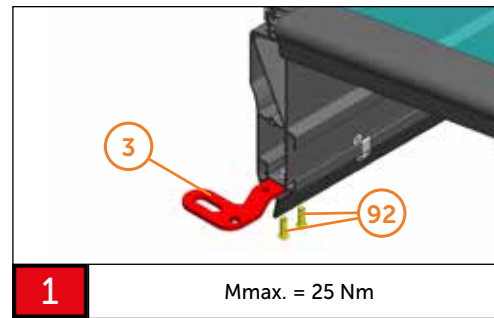
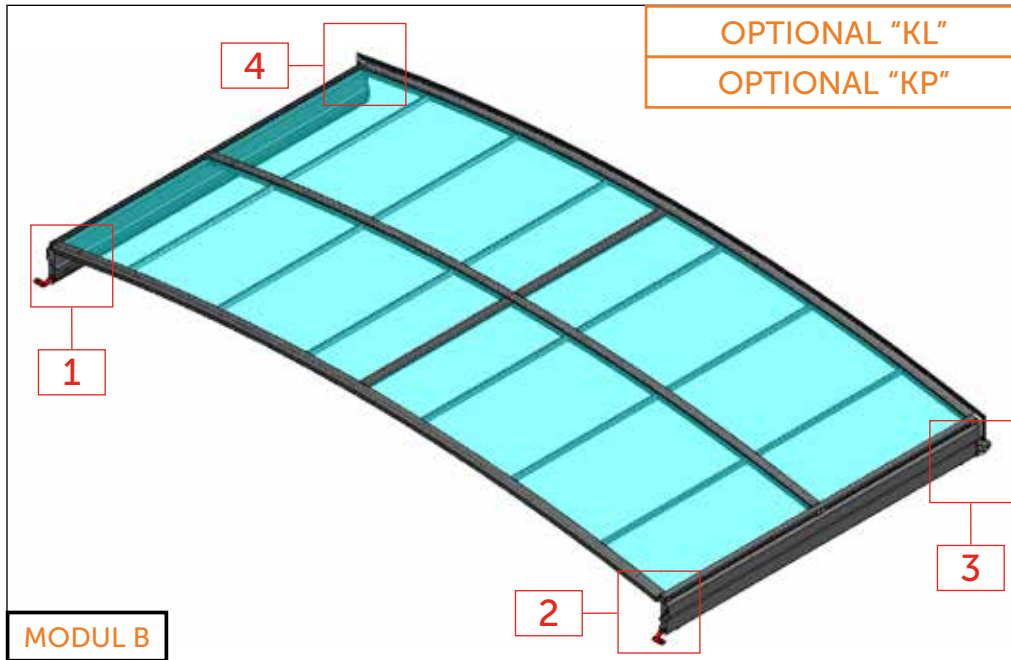


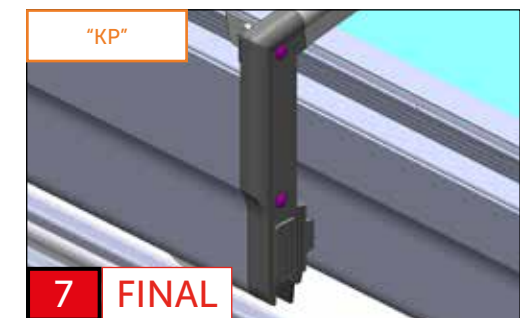
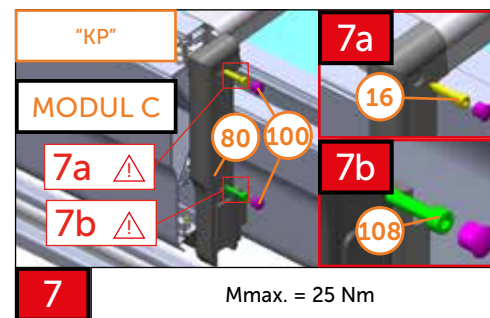
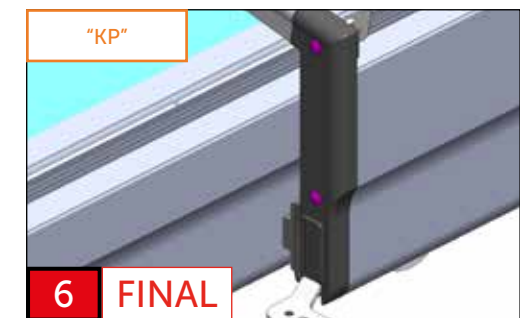
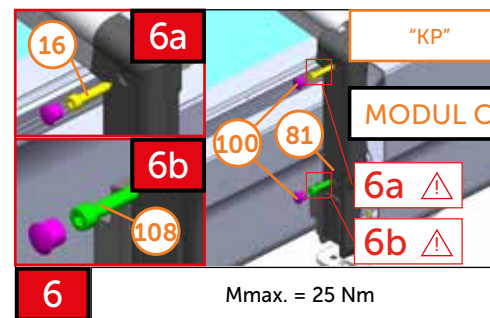
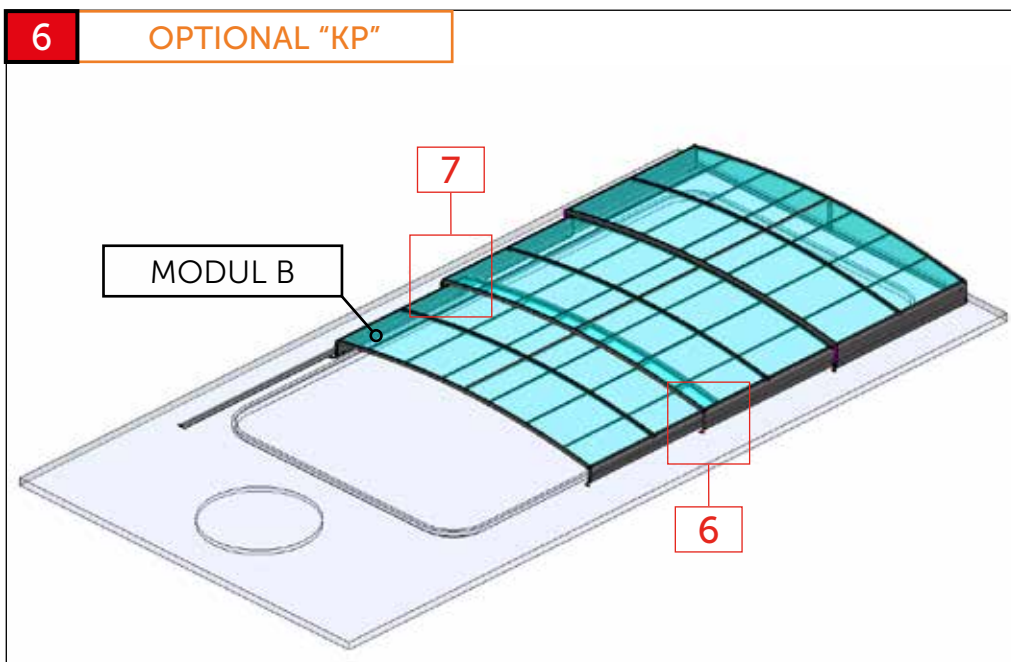
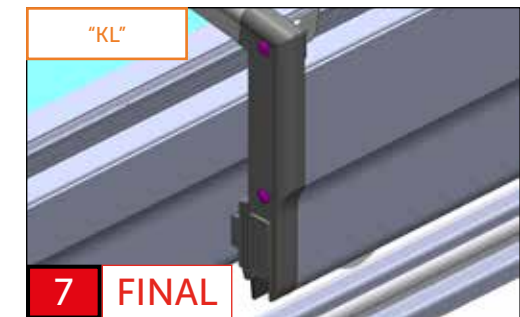
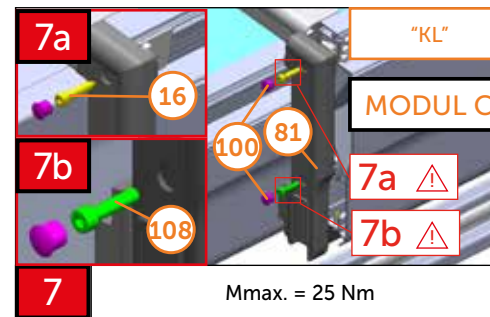
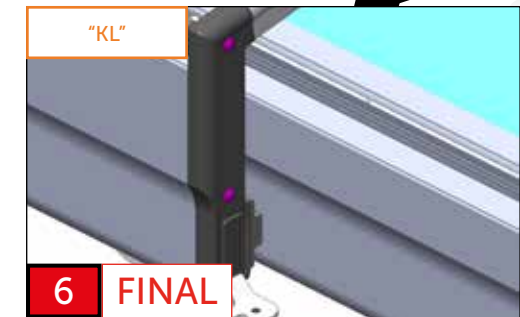
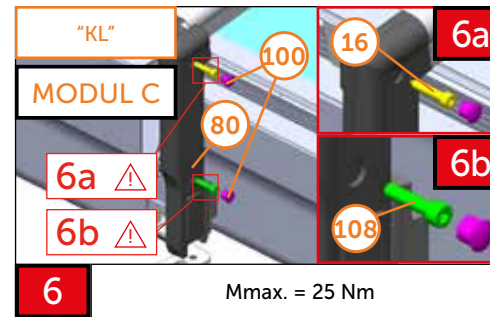
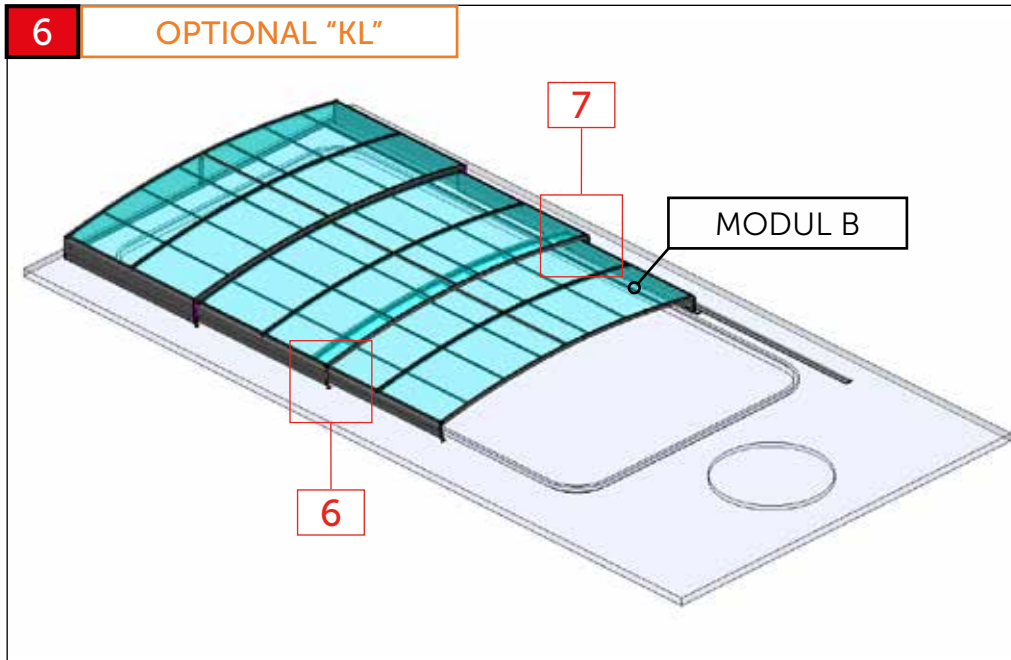


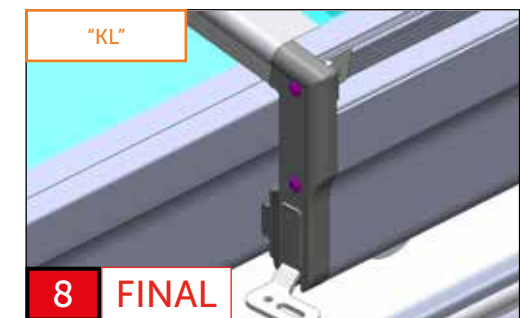
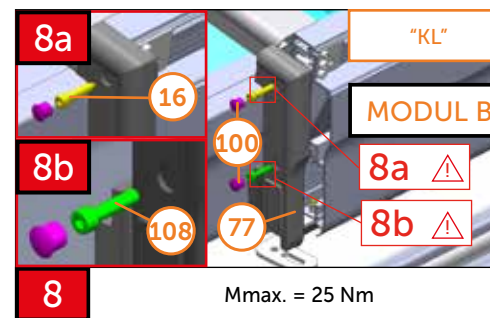
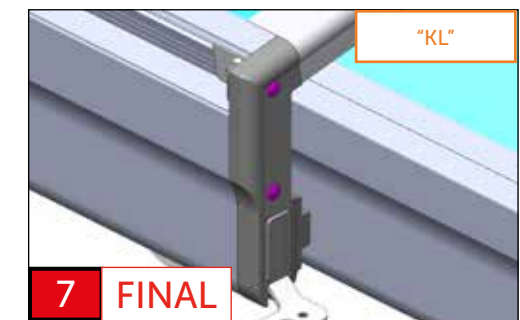
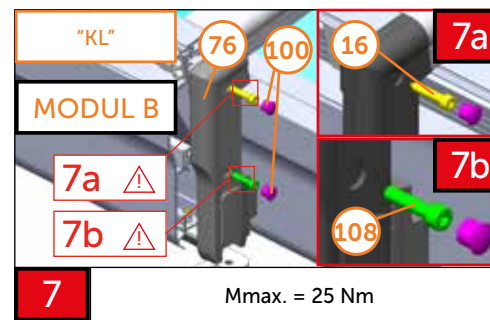
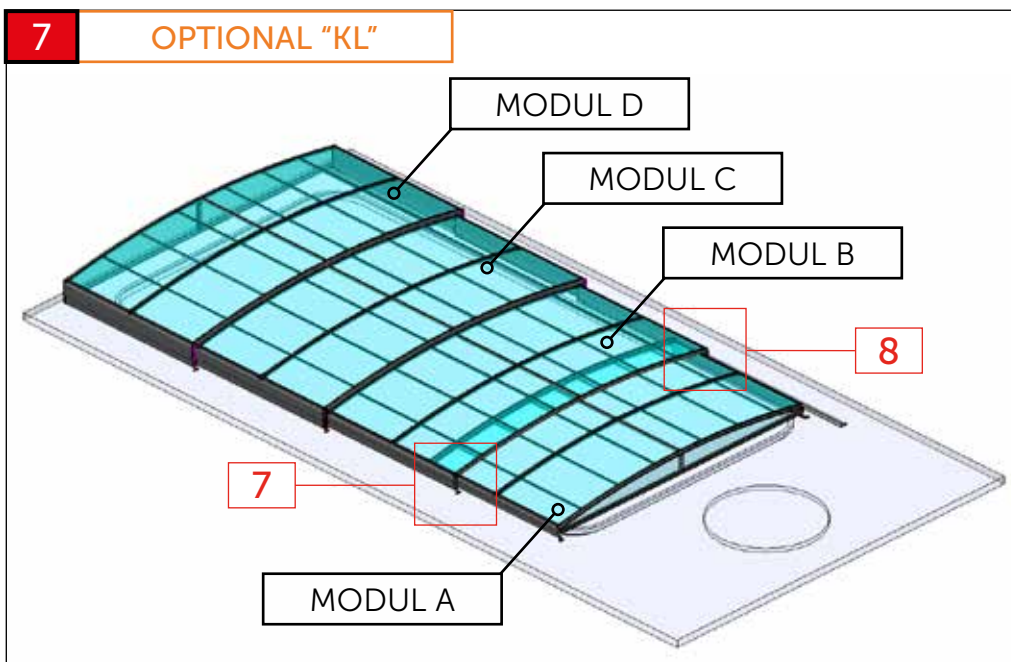
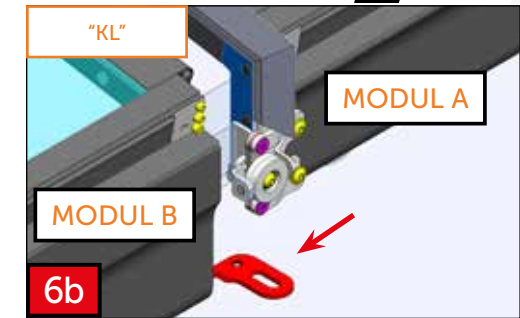
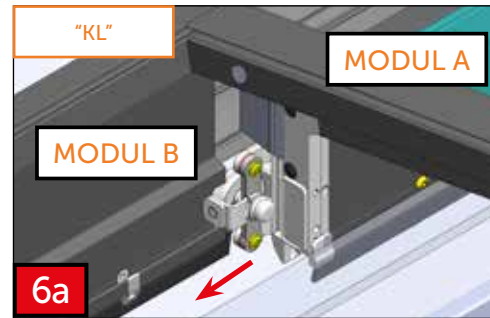
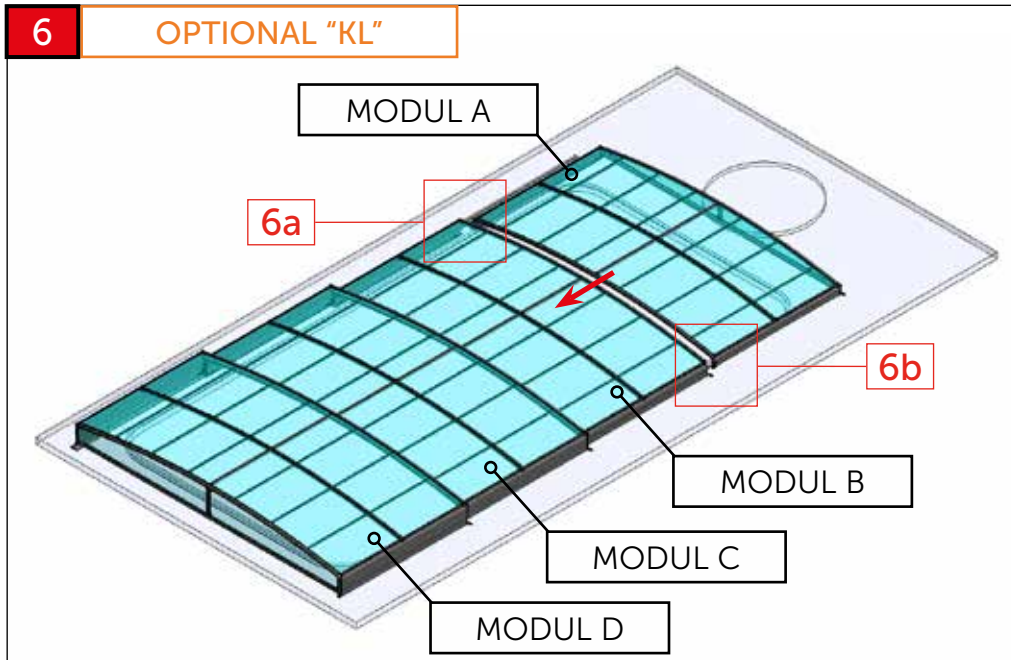


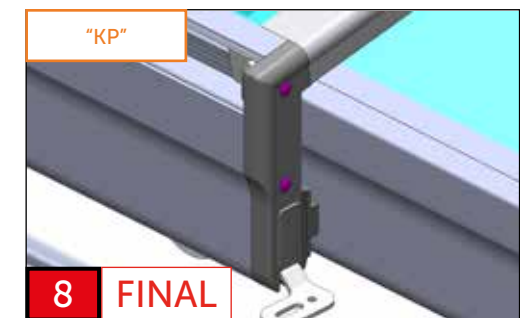
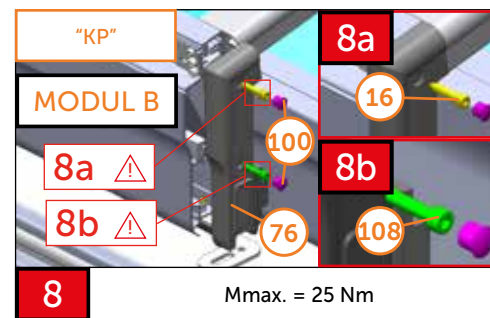
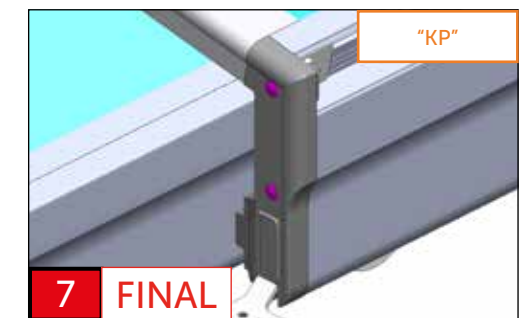
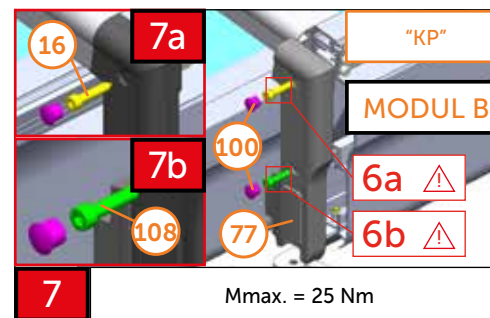
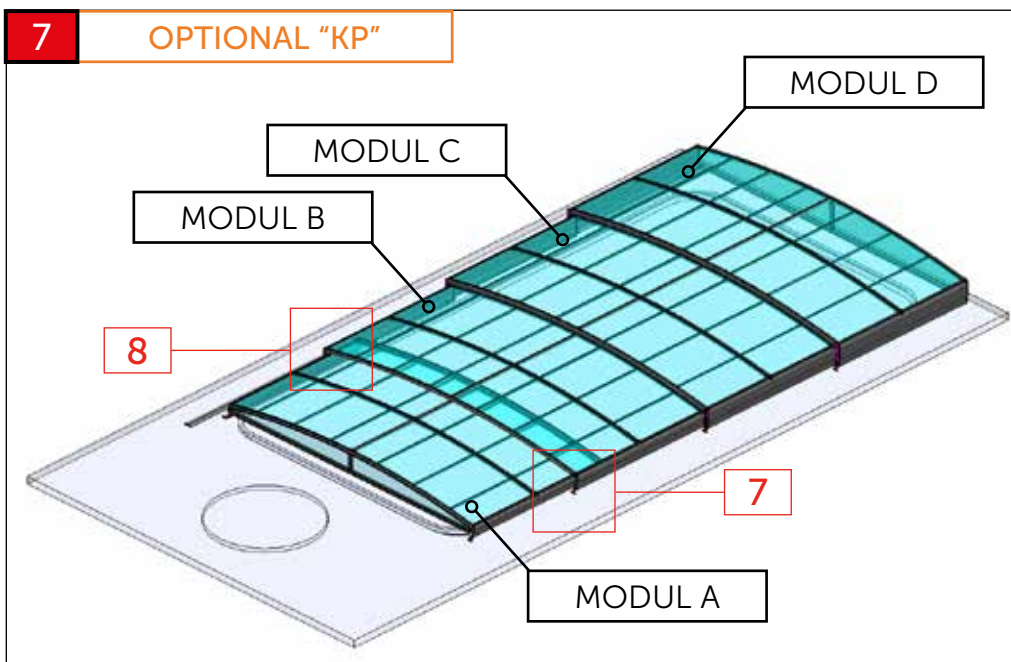
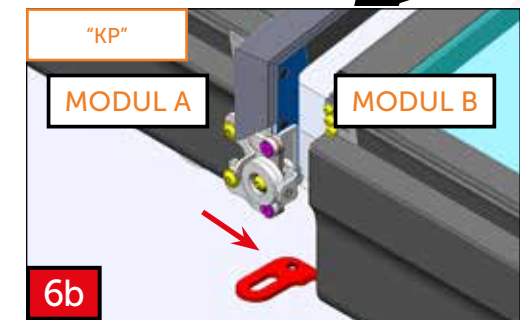
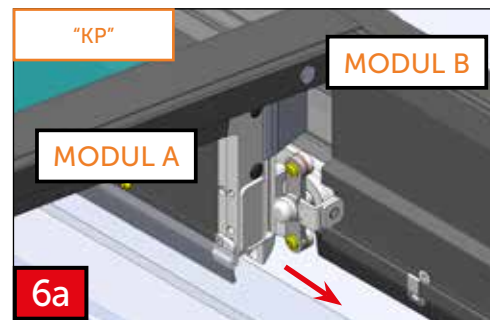
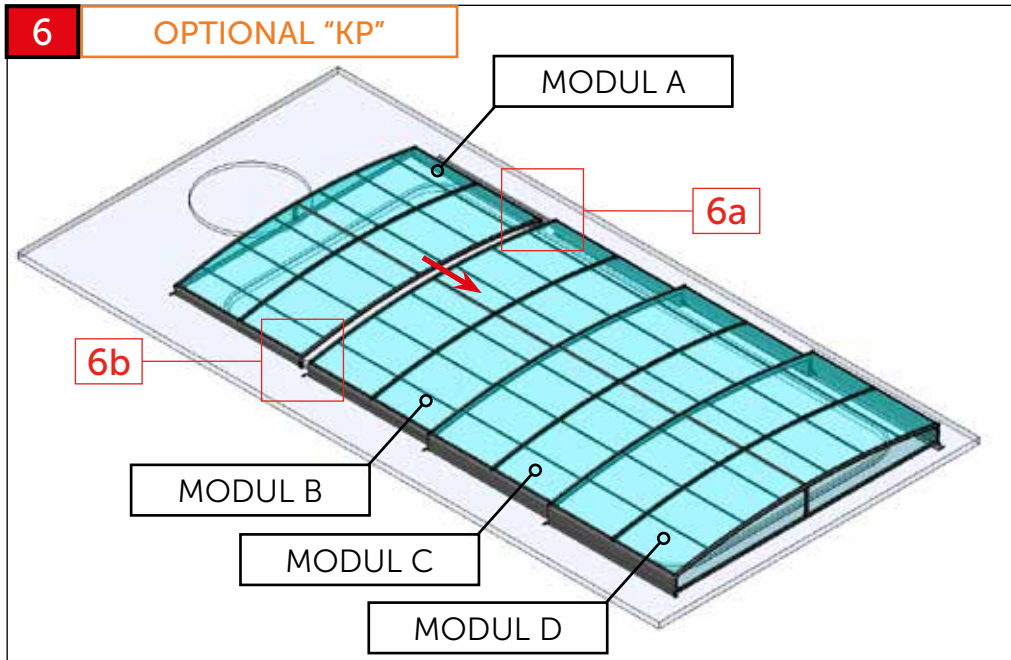


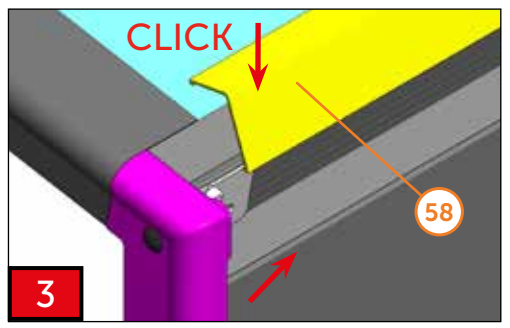
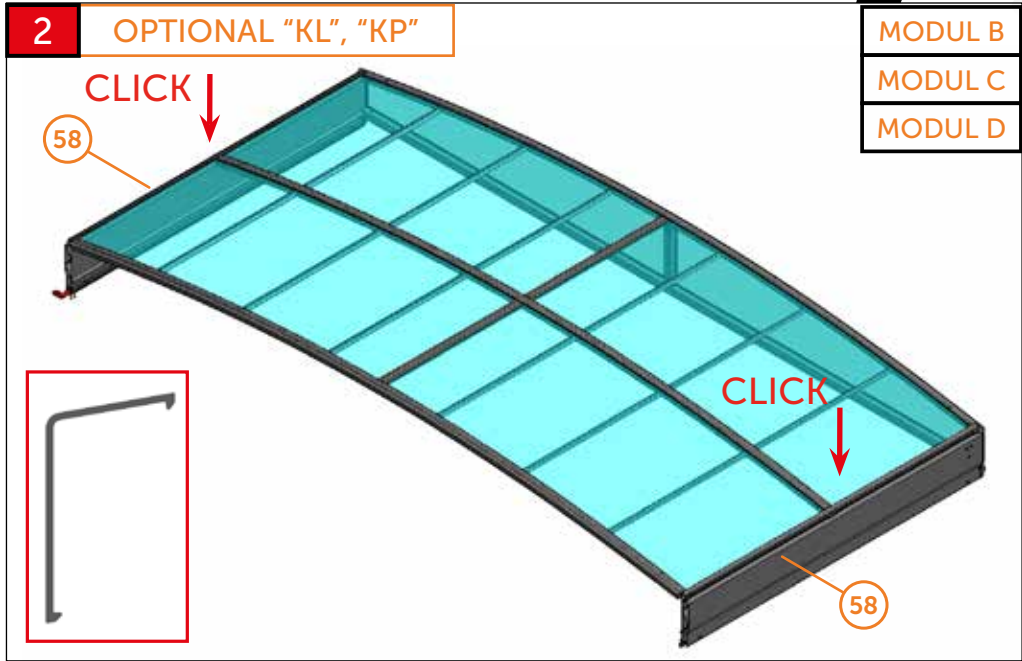
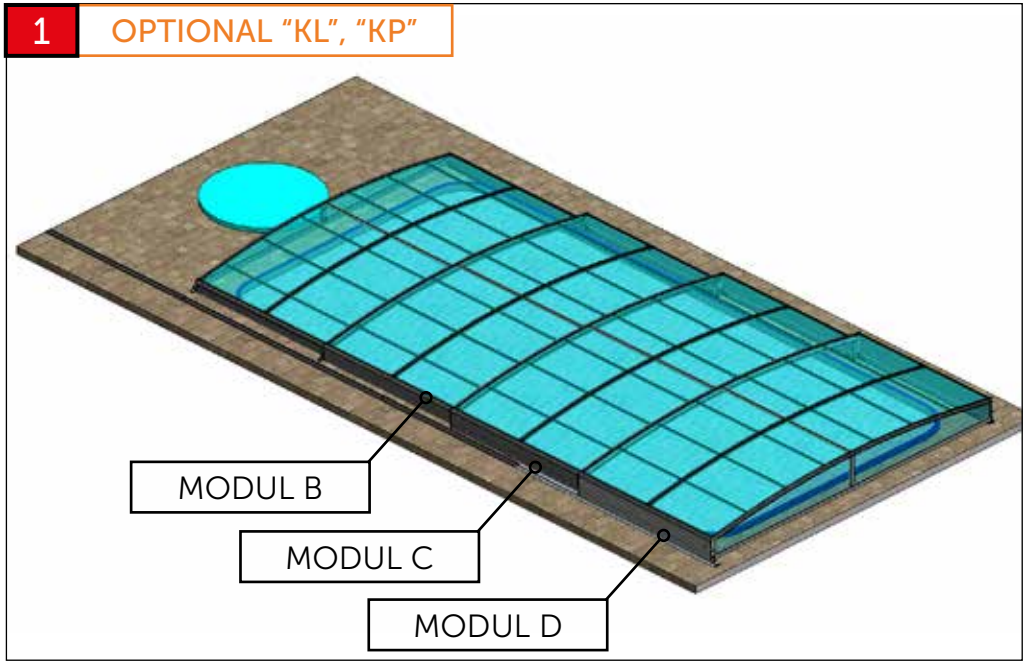


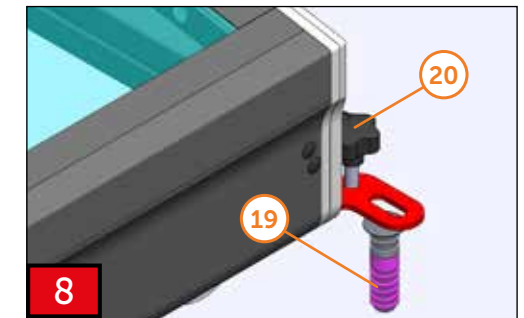
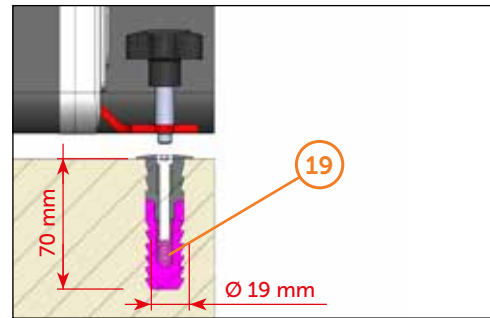
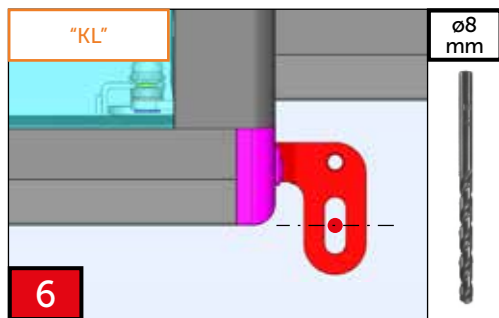
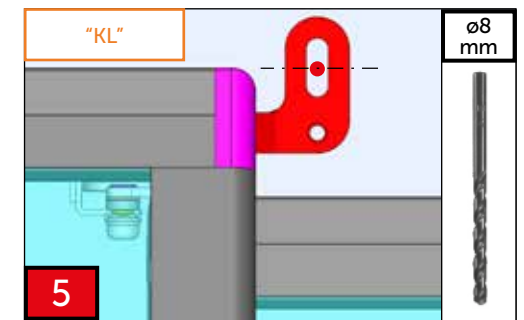
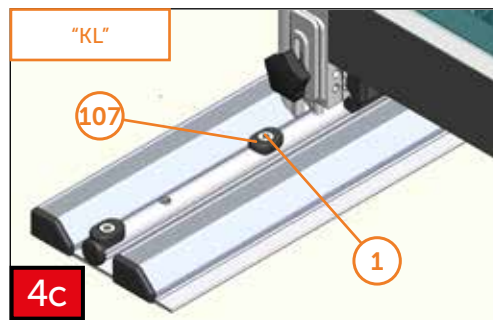
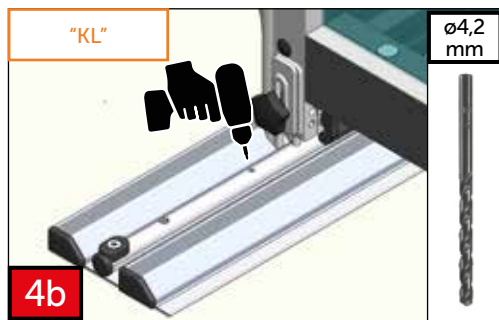
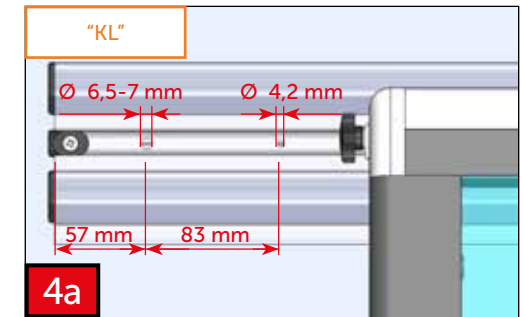
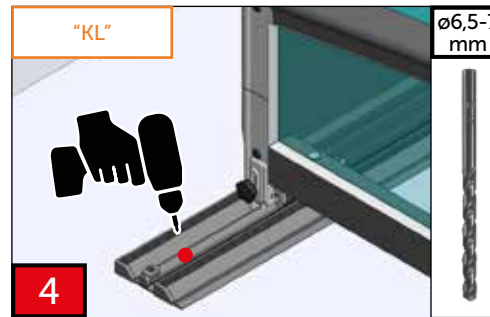
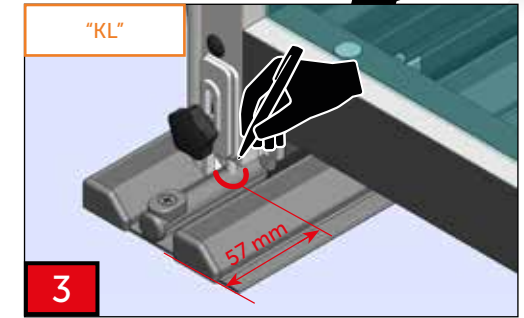
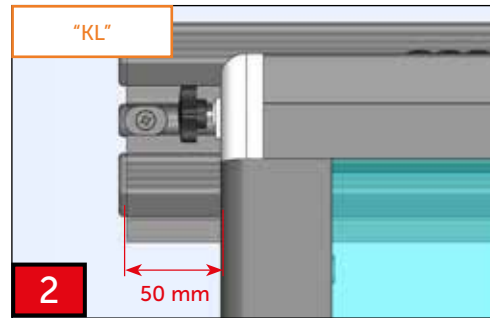
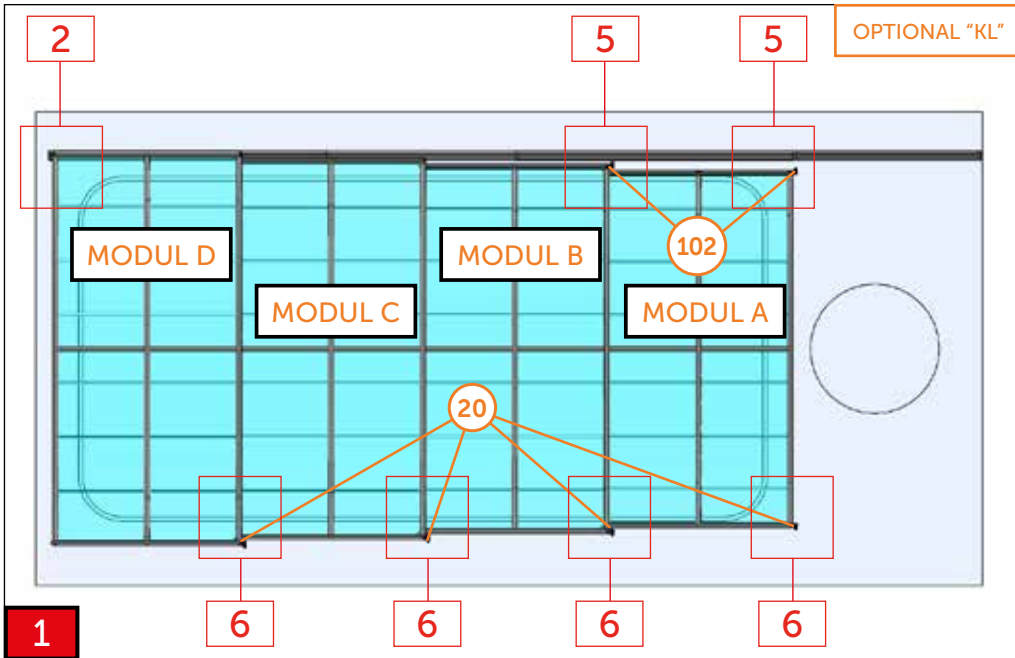




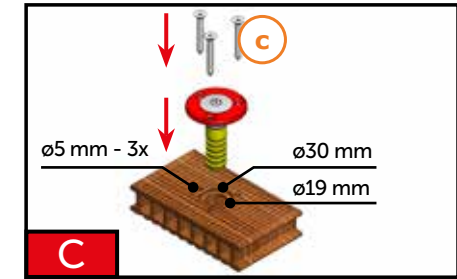
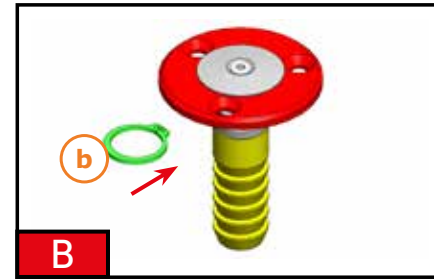
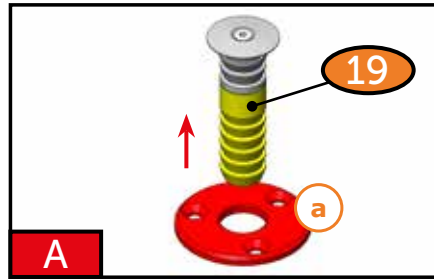








Pouze pro dřevěné a dřevoplastové podlahy
 Only for wooden and wood-plastic floors
 Nur für Holz- und Holz-Kunststoffböden
 Uniquement pour les planchers en bois et en bois-plastique
 Только для деревянных и древесно-пластиковых полов



1 OPTIONAL "KL"

MODUL D MODUL B
MODUL C MODUL A

Odjistit modul B,C,D
Unlock the module B,C,D
Modul B,C,D entsperren
Déverrouiller le module B,C,D
Разблокировать модуль B,C,D

2 OPTIONAL "KL"

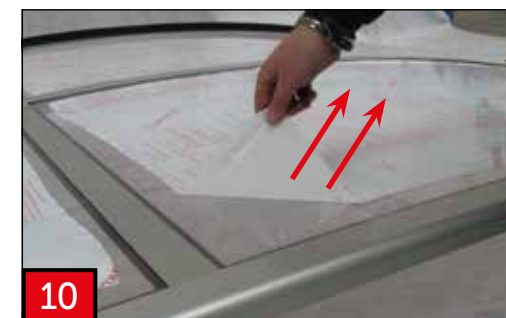
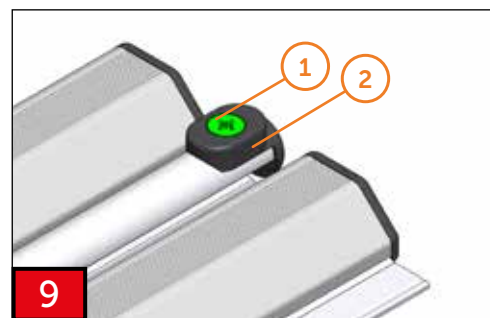
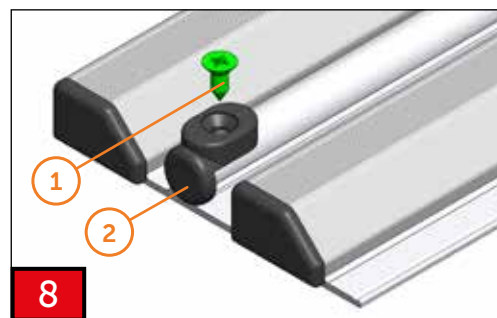
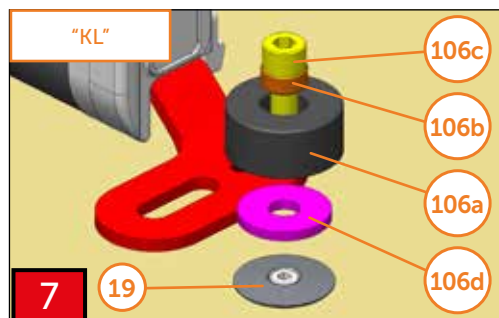
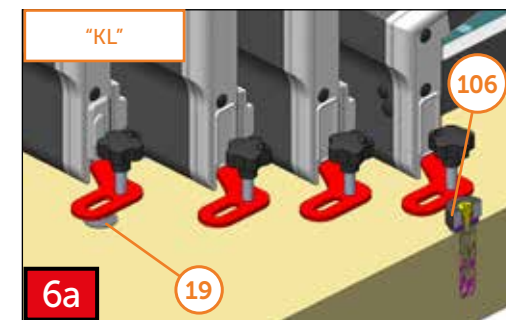
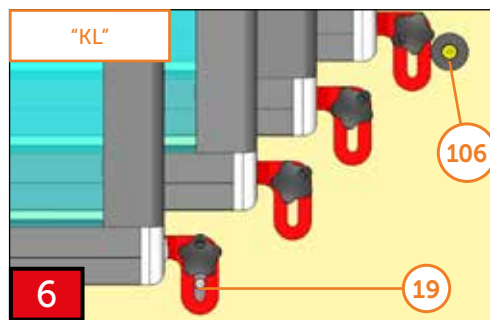
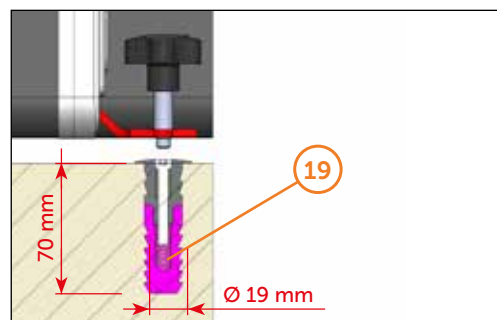
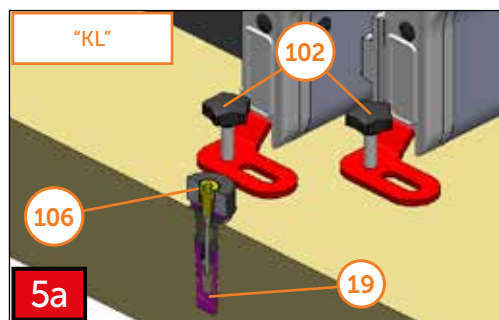
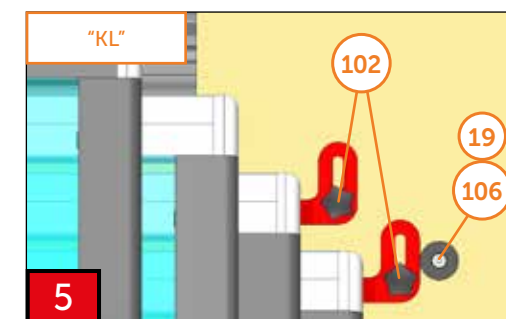
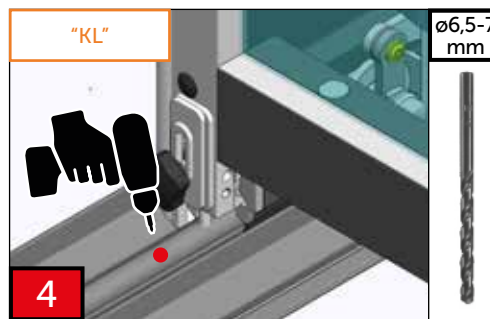
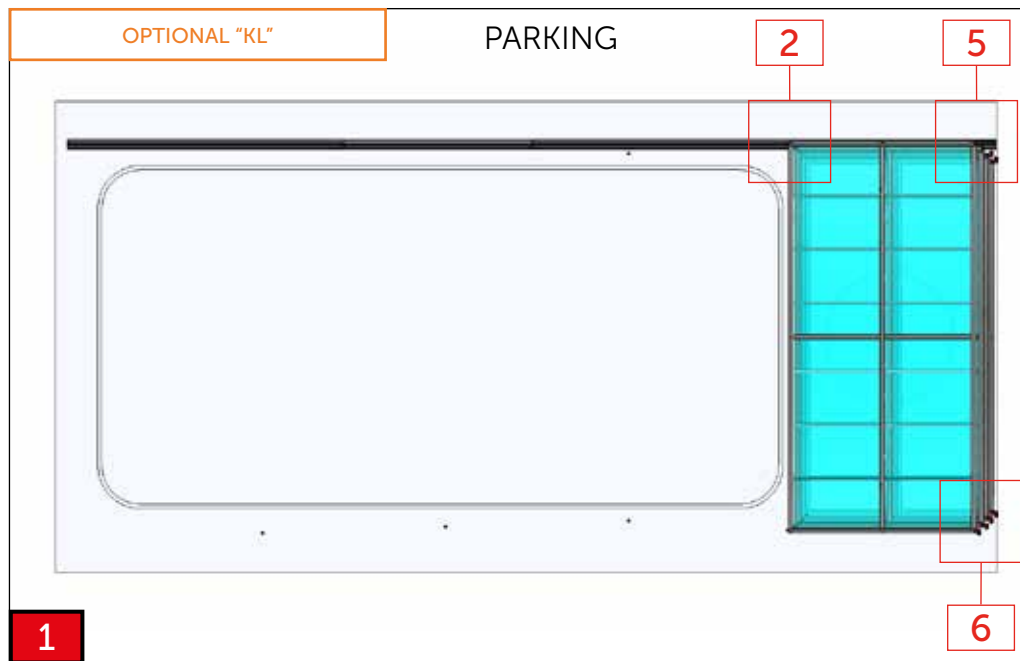
Zajištěný modul A
Locked module A
Modul A gesperrt
Module A verrouillé
Заблокированный модуль A

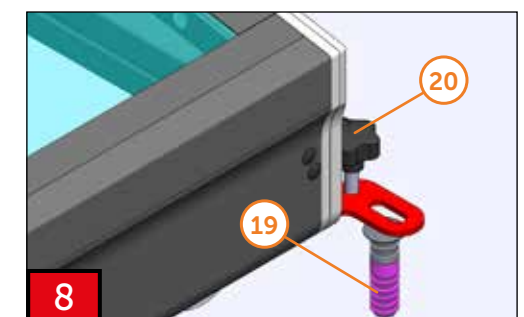
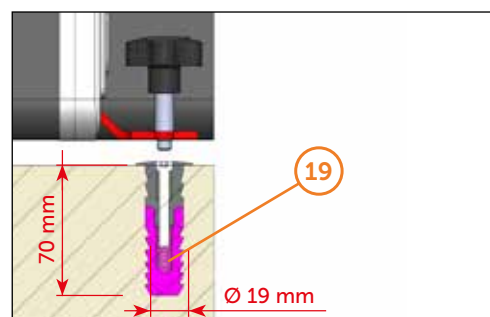
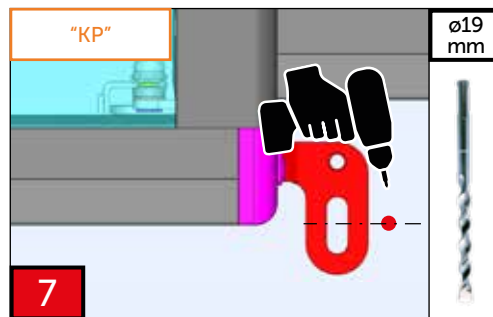
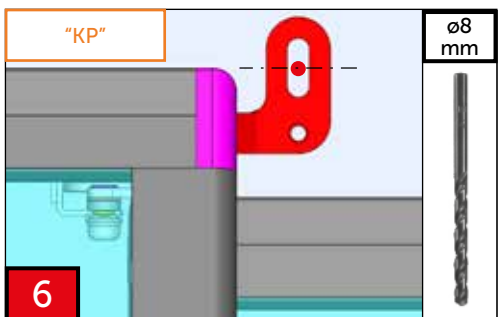
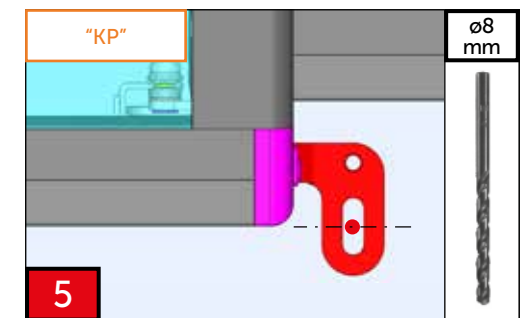
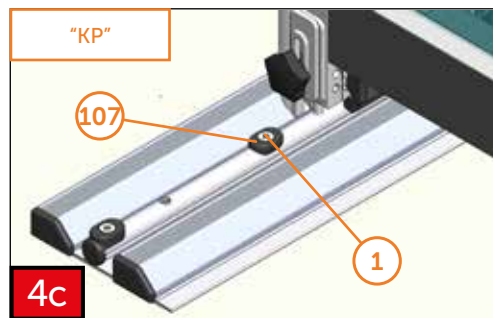
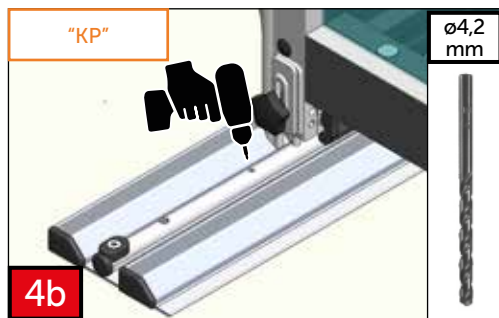
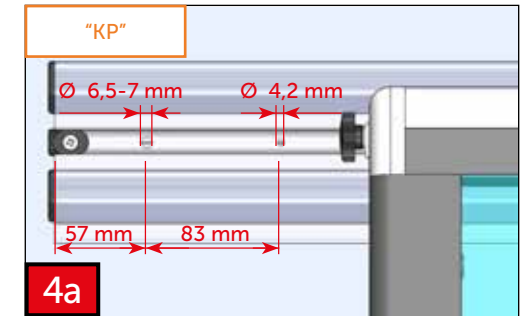
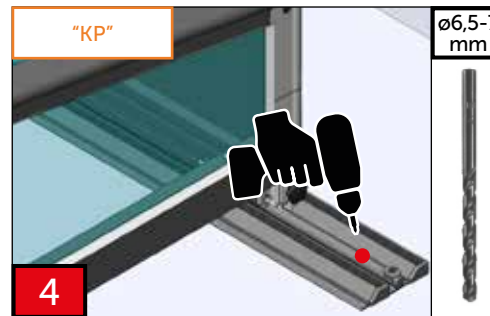
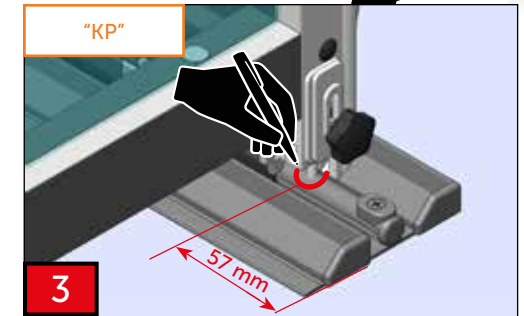
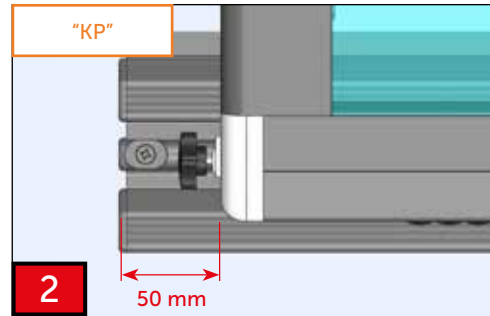
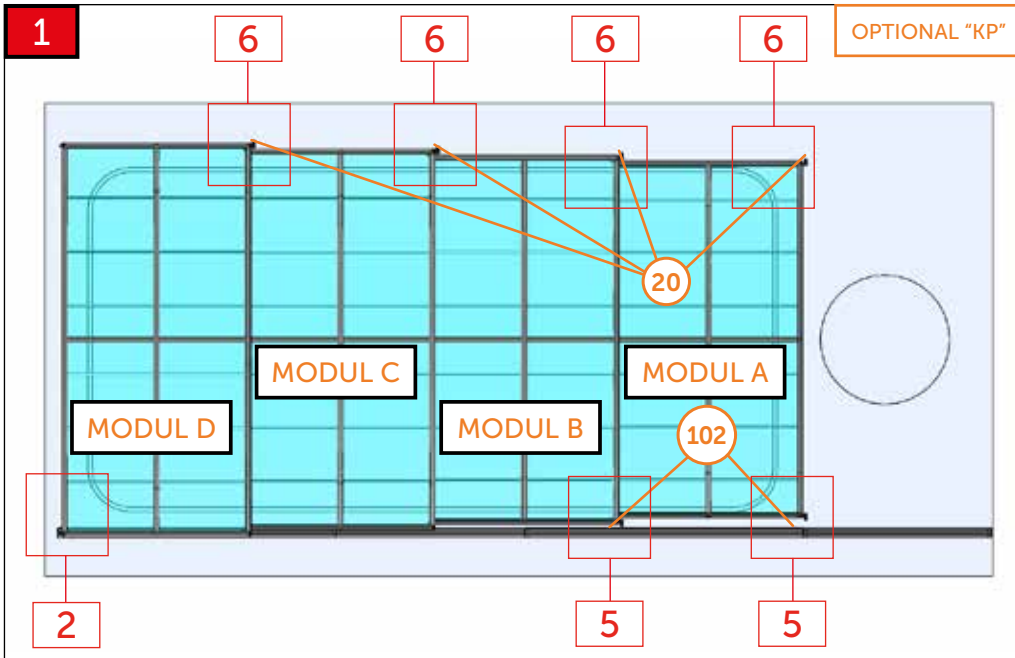
3 OPTIONAL "KL"

Odjistit modul A
Unlock the module A
Modul A entsperren
Déverrouiller le module A
Разблокировать модуль A

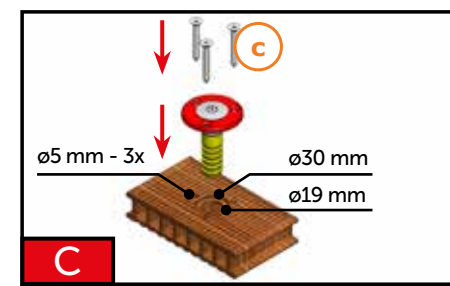
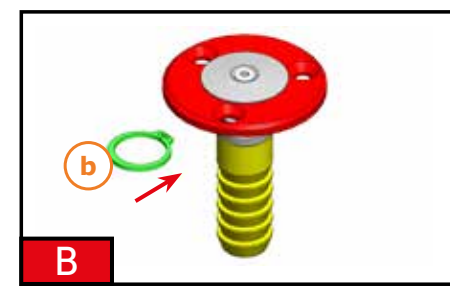
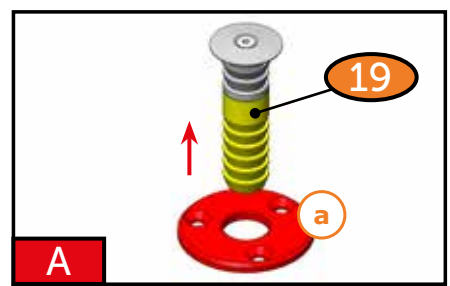
4 PARKING OPTIONAL "KL"

Zajistit modul B,C,D
Lock the module B,C,D
Modul A,B,C,D sperren
Module de verrouillage B,C,D
Блокировать модуль B,C,D





Pouze pro dřevěné a dřevoplastové podlahy
 Only for wooden and wood-plastic floors
 Nur für Holz- und Holz-Kunststoffböden
 Uniquement pour les planchers en bois et en bois-plastique
 Только для деревянных и древесно-пластиковых полов



1 OPTIONAL "KP"

MODUL D MODUL B
MODUL C MODUL A

Odjistit modul B,C,D
Unlock the module B,C,D
Modul B,C,D entsperren
Déverrouiller le module B,C,D
Разблокировать модуль B,C,D

2 OPTIONAL "KP"

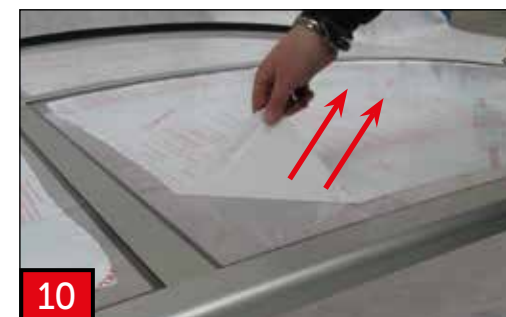
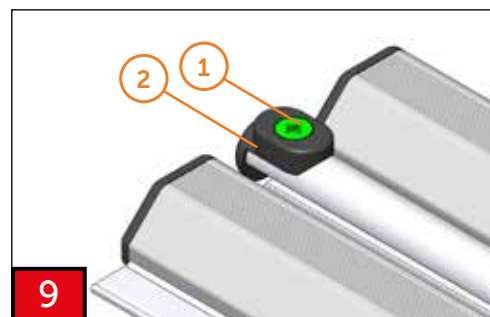
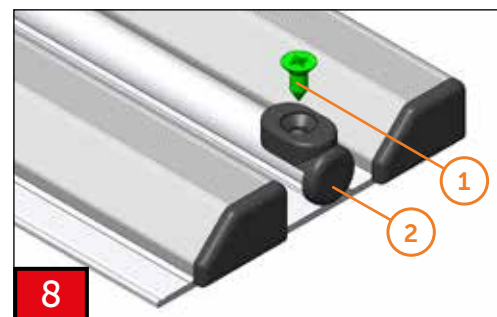
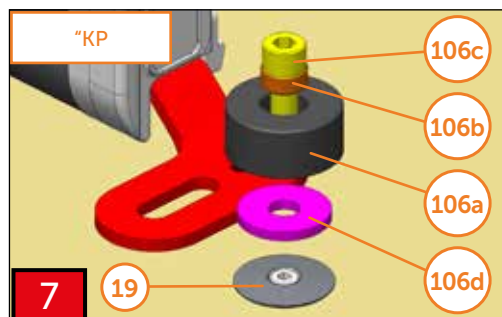
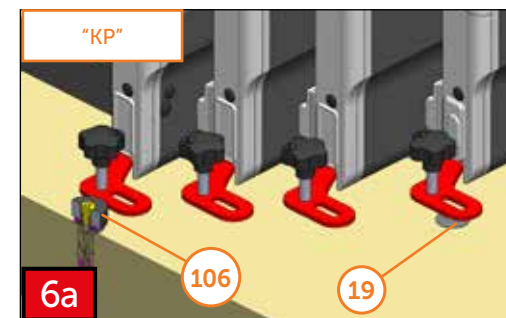
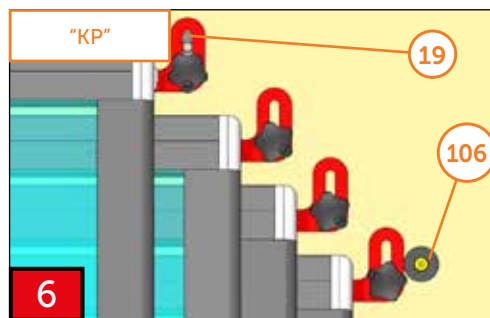
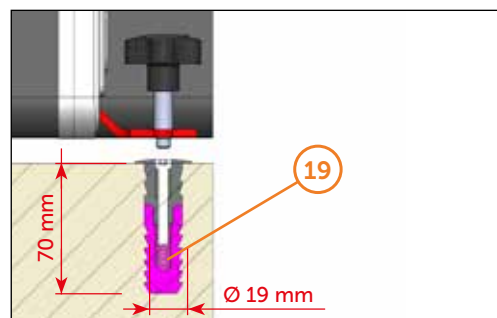
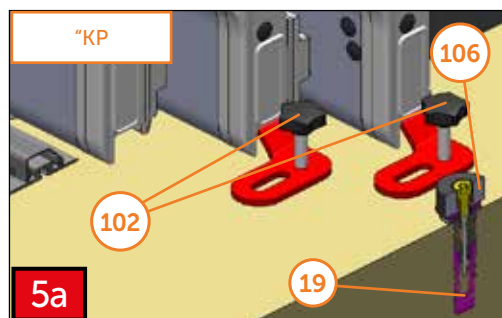
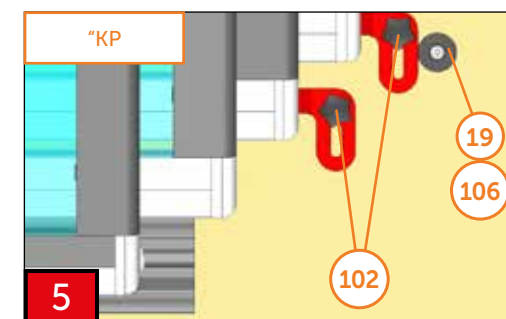
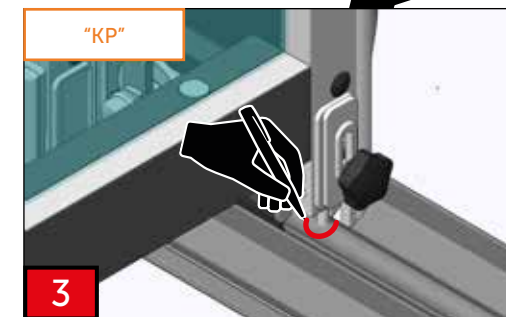
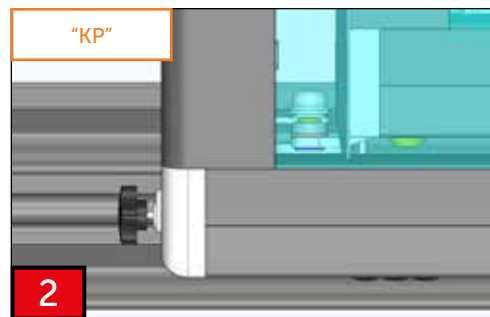
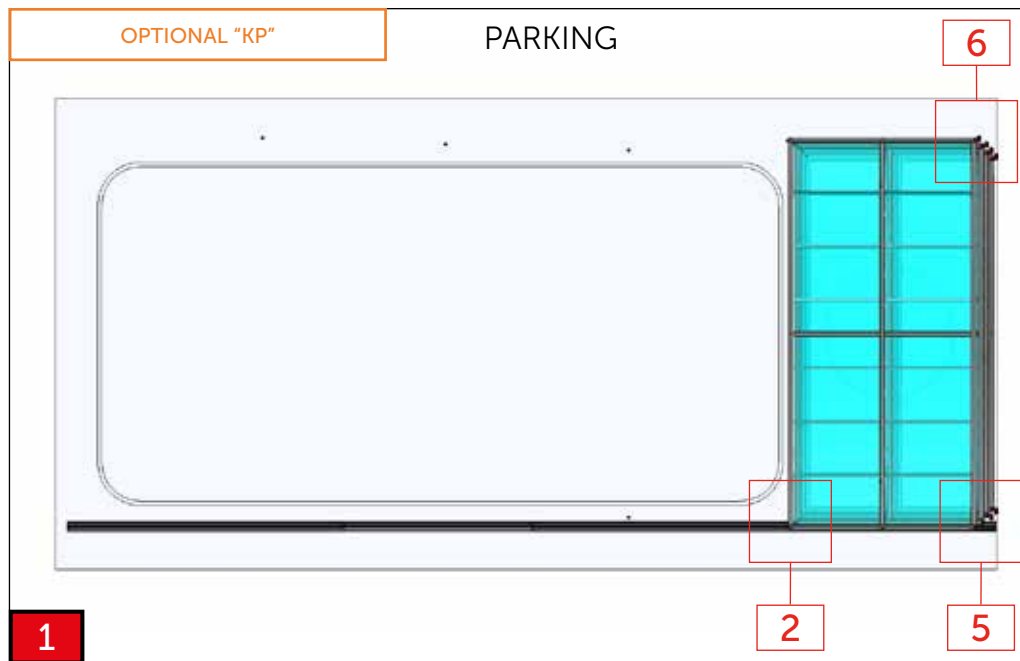
Zajištěný modul A
Locked module A
Modul A gesperrt
Module A verrouillé
Заблокированный модуль A

3 OPTIONAL "KP"

Odjistit modul A
Unlock the module A
Modul A entsperren
Déverrouiller le module A
Разблокировать модуль A

4 PARKING OPTIONAL "KP"

Zajistit modul B,C,D
Lock the module B,C,D
Modul A,B,C,D sperren
Module de verrouillage B,C,D
Блокировать модуль B,C,D





CZ

Dodavatel si vyhrazuje právo na změny a úpravy technických parametrů uváděných v tomto katalogu s ohledem na technický vývoj a zdokonalení výrobků a balení.
Dodavatel si vyhrazuje právo na tiskové chyby a chyby v sazbě. Před montáží si pozorně přečtěte návod. Návod si uchovejte pro pozdější použití.

DE

Der Lieferant behält sich das Recht auf Änderungen und Anpassungen der technischen Parameter, die in diesem Katalog aufgeführt sind, mit Rücksicht auf die technische Entwicklung und Verbesserung der Produkte und Verpackung vor. Der Lieferant behält sich das Recht auf Druckfehler und Fehler im Satz vor.
Vor der Montage lesen Sie bitte die Anleitung sorgfältig durch. Bewahren Sie die Anleitung für spätere Verwendung auf.

EN

The supplier reserves the right for modifications and adaptations of the technical parameters stated in this catalogue, considering the technical development and upgrade of the products and packaging.
The supplier reserves the right for print errors and typographical errors. Please read the manual carefully before you will start the installation. Keep the manual for later use.

ES

El proveedor se reserva el derecho de hacer cambios y modificaciones técnicas de los parámetros que figuran en este catálogo, con respecto al desarrollo técnico mejorando los productos y embalajes.
El proveedor se reserva también el derecho a errores de impresión y composición. Antes de empezar la instalación, lea atentamente las instrucciones. Guarde las instrucciones para su uso posterior.

FR

Le fabricant se réserve le droit de modifier les paramètres techniques cités dans ce manuel en considération du développement technique et de l'amélioration des produits et de leur emballage. Le fabricant se réserve le droit des fautes d'impression et de composition. À lire attentivement et à conserver pour une consultation ultérieure.

HU

Gyártó fenntartja jogát a katalógusban feltüntetett műszaki paraméterek változtatására a termékek és csomagolás technikai fejlesztése és tökéletesítése szerint.
Szállító: a szállító fenntartja jogát a nyomtatási és szedési hibákra.

IT

Il fornitore si riserva il diritto di effettuare modifiche e correzioni ai parametri tecnici riportati nel presente catalogo per migliorare e perfezionare dal punto di vista tecnico i prodotti e gli imballaggi.
Il fornitore non esclude inoltre l'eventuale presenza di errori di stampa e di impaginazione. Prima dell'installazione, leggere attentamente le istruzioni. Tenere l'istruzione per un uso successivo.

PL

Dostawca zastrzega sobie prawo do zmian oraz dostosowania parametrów technicznych podanych w niniejszym katalogu z uwzględnieniem rozwoju technicznego i udoskonalania produktów oraz opakowań. Dostawca zastrzega sobie prawo do błędów druku oraz typograficznych.

PT

O provedor reserva-se o direito a efectuar alterações e adaptações de parâmetros técnicos mencionados neste catálogo, tendo em consideração o avanço técnico e melhorias de produtos e embalagens. O provedor reserva-se o direito a cometer erros de impressora e de edição.

RO

Furnizorul își rezervă dreptul de a modifica și schimba parametrii tehnici menționați în acest catalog cu privire la evoluția tehnică și perfecționarea produselor și a ambalării. Furnizorul își rezervă dreptul la greșelile de tipar și greșelile privind tarifele.

RU

Поставщик оставляет за собой право на изменение и исправление технических параметров продукции указанной в этом каталоге, с учетом технического развития, а усовершенствования изделий и его упаковки. Поставщик оставляет за собой право на опечатку в тексте и в ценах.
Перед установкой и эксплуатацией изделия внимательно ознакомьтесь с настоящим руководством. Сохраните данное руководство для дальнейшего использования.